

PARTS MANUAL



***WHITEMAN* SERIES**

MODELS

JWN24HTCSL

JWN24HSCSL

RIDE-ON POWER TROWELS

(HONDA GX690RTAF GASOLINE ENGINE)

S/N VB0206952 AND ABOVE

Revision #2 (11/29/16)

To find the latest revision of this
publication, visit our website at:
www.multiquip.com



THIS MANUAL MUST ACCOMPANY THE EQUIPMENT AT ALL TIMES.

PN: 23625

TABLE OF CONTENTS

JWN24 Series Ride-On Power Trowel

Table Of Contents.....	2
Parts Ordering Procedures.....	3
Explanation Of Code In Remarks Column.....	4
Suggested Spare Parts	5

Component Drawings

Nameplate and Decals Assembly.....	6-7
Seat/Frame Assembly	8-9
Pivot Assembly	10-11
Steering Control Assembly	12-13
Steering Handles Assembly	14-15
Gearbox Assembly (Right)	16-17
Gearbox Assembly (Left)	18-19
Pitch Control Tower/Yoke Assembly	20-21
Pitch Control Drive Cable Assembly.....	22-23
Drive Assembly.....	24-25
Engine Clutch Assembly.....	26-27
Spider Assembly (Left)	28-29
Spider Assembly (Right).....	30-31
Foot Pedal/Throttle Assembly.....	32-33
Control Panel Assembly	34-35
Lights Assembly	36-37
Fuel Assembly	38-39
Battery Assembly.....	40-41
Engine and Muffler Assembly.....	42-43
Spray Assembly.....	44-45
Harness Assembly.....	46-47

Honda GX690RATF Engine

Fan Cover Assembly.....	48-49
Carburetor Assembly	50-51
Air Cleaner Assembly	52-53
Fuel Pump Assembly.....	54-55
Flywheel Assembly	56-57
Cylinder Head Assembly	58-59
Ignition Coil Assembly	60-61
Starter Motor Assembly	62-63
Control Assembly	64-65
Control Box Assembly	66-67
Crankcase Assembly.....	68-69
Regulator/Rectifier Assembly	70-71
Crankcase Cover Assembly	72-73
Crankshaft Assembly.....	74-75
Piston Assembly	76-77
Camshaft Assembly.....	78-79
Muffler Assembly	80-81
Labels Assembly	82-83

Terms and Conditions Of Sale — Parts.....	84
---	----

NOTICE

Specifications and part numbers are subject to change without notice.

PARTS ORDERING PROCEDURES

Ordering parts has never been easier! Choose from three easy options:

Effective:
January 1st, 2006

www.multiquip.com



Order via Internet (Dealers Only):

Order parts on-line using Multiquip's SmartEquip website!

- View Parts Diagrams
- Order Parts
- Print Specification Information



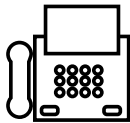
If you have an MQ Account, to obtain a Username and Password, E-mail us at: parts@multiquip.com.

To obtain an MQ Account, contact your District Sales Manager for more information.

Goto www.multiquip.com and click on **Order Parts** to log in and save!

Use the **internet** and qualify for a **5% Discount** on *Standard orders* for all orders which include complete part numbers.*

Note: Discounts Are Subject To Change



Order via Fax (Dealers Only):

All customers are welcome to order parts via Fax.

Domestic (US) Customers dial:
1-800-6-PARTS-7 (800-672-7877)

Fax your order in and qualify for a **2% Discount** on *Standard orders* for all orders which include complete part numbers.*

Note: Discounts Are Subject To Change



Order via Phone: Domestic (US) Dealers Call:
1-800-427-1244

Non-Dealer Customers:

Contact your local Multiquip Dealer for parts or call 800-427-1244 for help in locating a dealer near you.



International Customers should contact their local Multiquip Representatives for Parts Ordering information.

When ordering parts, please supply:

- | | |
|---|--|
| <input type="checkbox"/> Dealer Account Number | <input type="checkbox"/> Specify Preferred Method of Shipment: |
| <input type="checkbox"/> Dealer Name and Address | <input checked="" type="checkbox"/> UPS/Fed Ex <input checked="" type="checkbox"/> DHL |
| <input type="checkbox"/> Shipping Address (if different than billing address) | <input type="checkbox"/> Priority One <input checked="" type="checkbox"/> Truck |
| <input type="checkbox"/> Return Fax Number | <input type="checkbox"/> Ground |
| <input type="checkbox"/> Applicable Model Number | <input type="checkbox"/> Next Day |
| <input type="checkbox"/> Quantity, Part Number and Description of Each Part | <input type="checkbox"/> Second/Third Day |

NOTICE

All orders are treated as *Standard Orders* and will ship the same day if received prior to 3PM PST.

WE ACCEPT ALL MAJOR CREDIT CARDS!



EXPLANATION OF CODE IN REMARKS COLUMN

The following section explains the different symbols and remarks used in the Parts section of this manual. Use the help numbers found on the back page of the manual if there are any questions.

NOTICE

The contents and part numbers listed in the parts section are subject to change **without notice**. Multiquip does not guarantee the availability of the parts listed.

SAMPLE PARTS LIST

NO.	PART NO.	PART NAME	QTY.	REMARKS
1	12345	BOLT	1	INCLUDES ITEMS W/%
2%		WASHER, 1/4 IN.		NOT SOLD SEPARATELY
2%	12347	WASHER, 3/8 IN. ...	1	MQ-45T ONLY
3	12348	HOSE	A/R	MAKE LOCALLY
4	12349	BEARING	1	S/N 2345B AND ABOVE

NO. Column

Unique Symbols — All items with same unique symbol (@, #, +, %, or >) in the number column belong to the same assembly or kit, which is indicated by a note in the “Remarks” column.

Duplicate Item Numbers — Duplicate numbers indicate multiple part numbers, which are in effect for the same general item, such as different size saw blade guards in use or a part that has been updated on newer versions of the same machine.

NOTICE

When ordering a part that has more than one item number listed, check the remarks column for help in determining the proper part to order.

PART NO. Column

Numbers Used — Part numbers can be indicated by a number, a blank entry, or TBD.

TBD (To Be Determined) is generally used to show a part that has not been assigned a formal part number at the time of publication.

A blank entry generally indicates that the item is not sold separately or is not sold by Multiquip. Other entries will be clarified in the “Remarks” Column.

QTY. Column

Numbers Used — Item quantity can be indicated by a number, a blank entry, or A/R.

A/R (As Required) is generally used for hoses or other parts that are sold in bulk and cut to length.

A blank entry generally indicates that the item is not sold separately. Other entries will be clarified in the “Remarks” Column.

REMARKS Column

Some of the most common notes found in the “Remarks” Column are listed below. Other additional notes needed to describe the item can also be shown.

Assembly/Kit — All items on the parts list with the same unique symbol will be included when this item is purchased.

Indicated by:

“INCLUDES ITEMS W/(unique symbol)”

Serial Number Break — Used to list an effective serial number range where a particular part is used.

Indicated by:

“S/N XXXXX AND BELOW”

“S/N XXXX AND ABOVE”

“S/N XXXX TO S/N XXX”

Specific Model Number Use — Indicates that the part is used only with the specific model number or model number variant listed. It can also be used to show a part is NOT used on a specific model or model number variant.

Indicated by:

“XXXXX ONLY”

“NOT USED ON XXXX”

“Make/Obtain Locally” — Indicates that the part can be purchased at any hardware shop or made out of available items. Examples include battery cables, shims, and certain washers and nuts.

“Not Sold Separately” — Indicates that an item cannot be purchased as a separate item and is either part of an assembly/kit that can be purchased, or is not available for sale through Multiquip.

SUGGESTED SPARE PARTS

JWN24 SERIES RIDE-ON TROWEL, HONDA GX690RTAF-R280 24 HP ENGINE

1 to 3 units

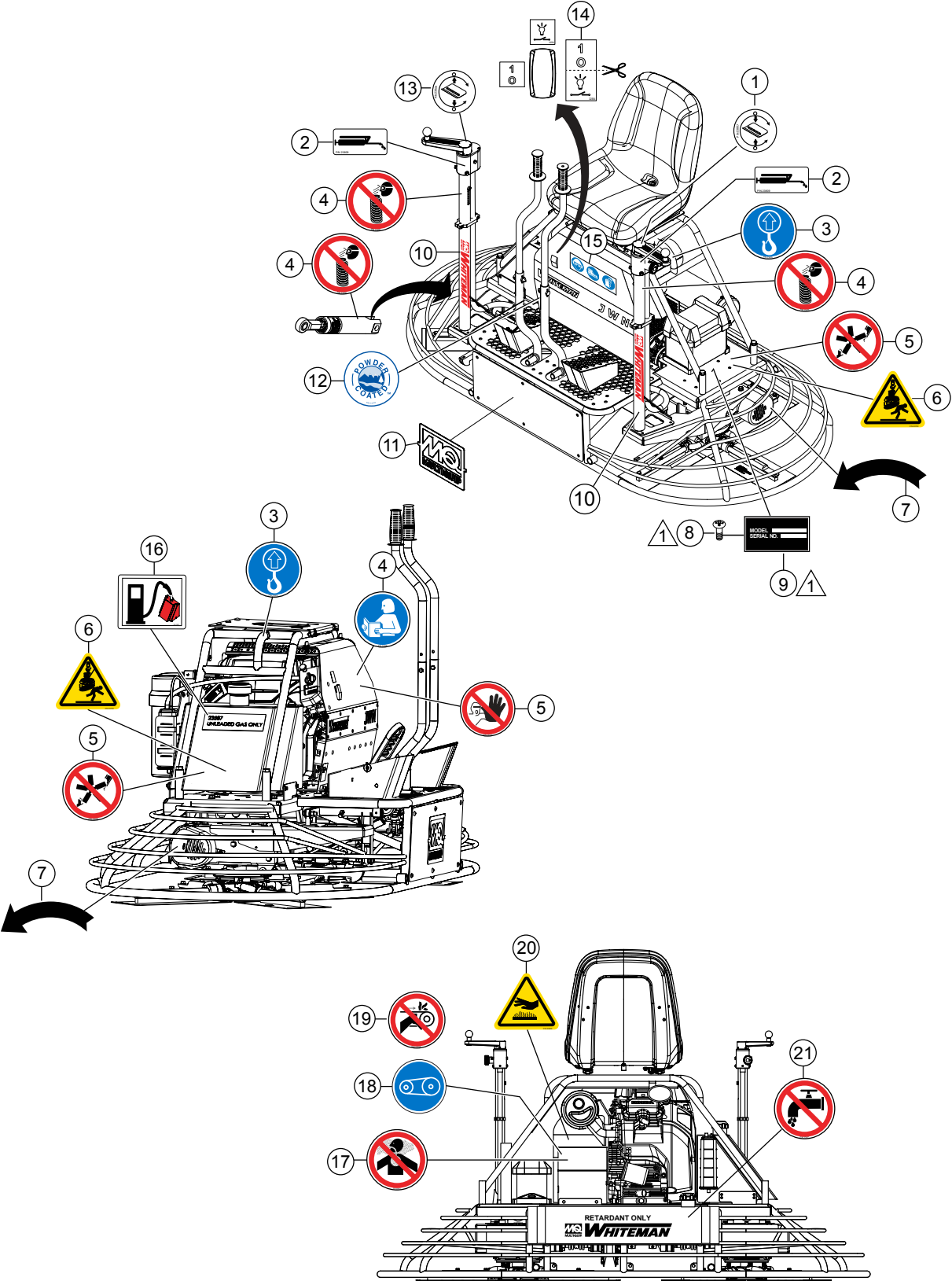
Qty.	P/N	Description
4	20409-1	TROWEL ARM, (L.S.)
4	20408-1	TROWEL ARM, (R.S.)
4	1163-1	LEVER TROWEL ARM (R.S.)
4	1555-1	LEVER TROWEL ARM (L.S.)
2	10968	THRUST COLLAR KIT
2	20369	SPIDER ASSY., 4-BLADE (L.S.)
2	20370	SPIDER ASSY., 4-BLADE (R.S.)
4	1157 A	BUSHING, SPIDER
1	23513	BELT, DRIVE CVT
1	23514	FUEL CAP/GAUGE (ENGINE)
1	23518	CABLE, THROTTLE (FOOT PEDAL)
6	2064	ROD END, FEM RH 3/8-24 (STEERING)
4	2063	ROD END, MALE RH 3/8-24 (STEERING)
2	11142	ROD END, MALE RH 1/2-20 (STEERING)

Qty.	P/N	Description
10	10031	WASHER 1/4 IN.
1	23434	SPRAY PUMP
1	392292	SPRAY NOZZEL
1	29509	CAP, SPRAY TANK
1	406000	ROCKER SWITCH (LIGHTS)
1	39700Z6L003	HOUR METER
1	21870	KILL SWITCH, (SEAT)
1	12017	RELAY, KILL (SEAT)
3	20111	OIL, GEARBOX
1	2618	GASKET AND SEAL KIT (GB)
1	12833	BEARING KIT (GEARBOX)
2	17210Z6L010	ELEMENT COMP. A/C
1	17218Z6L000	FILTER, OUTER A/C
2	16910Z6L003	STRAINER COMP. FUEL
1	35110ZV5V50	KEY ASSY.
1	37240ZG5004	SWITCH, OIL PRESSURE
3	15400PLMA01PE	CARTRIDGE, OIL FILTER
4	980795587G	SPARK PLUG
2	23284-030	FUSE, 3A
2	23284-150	FUSE, 15A
2	982004300	FUSE, 30A
2	32640	LED, 20W, OVAL
4	BLADE ASSY.	CONTACT UNIT SALES DEPT/ACCESSORY ITEM

NOTICE

Part numbers on this Suggested Spare Parts list may supersede/replace the part numbers shown in the following parts lists.

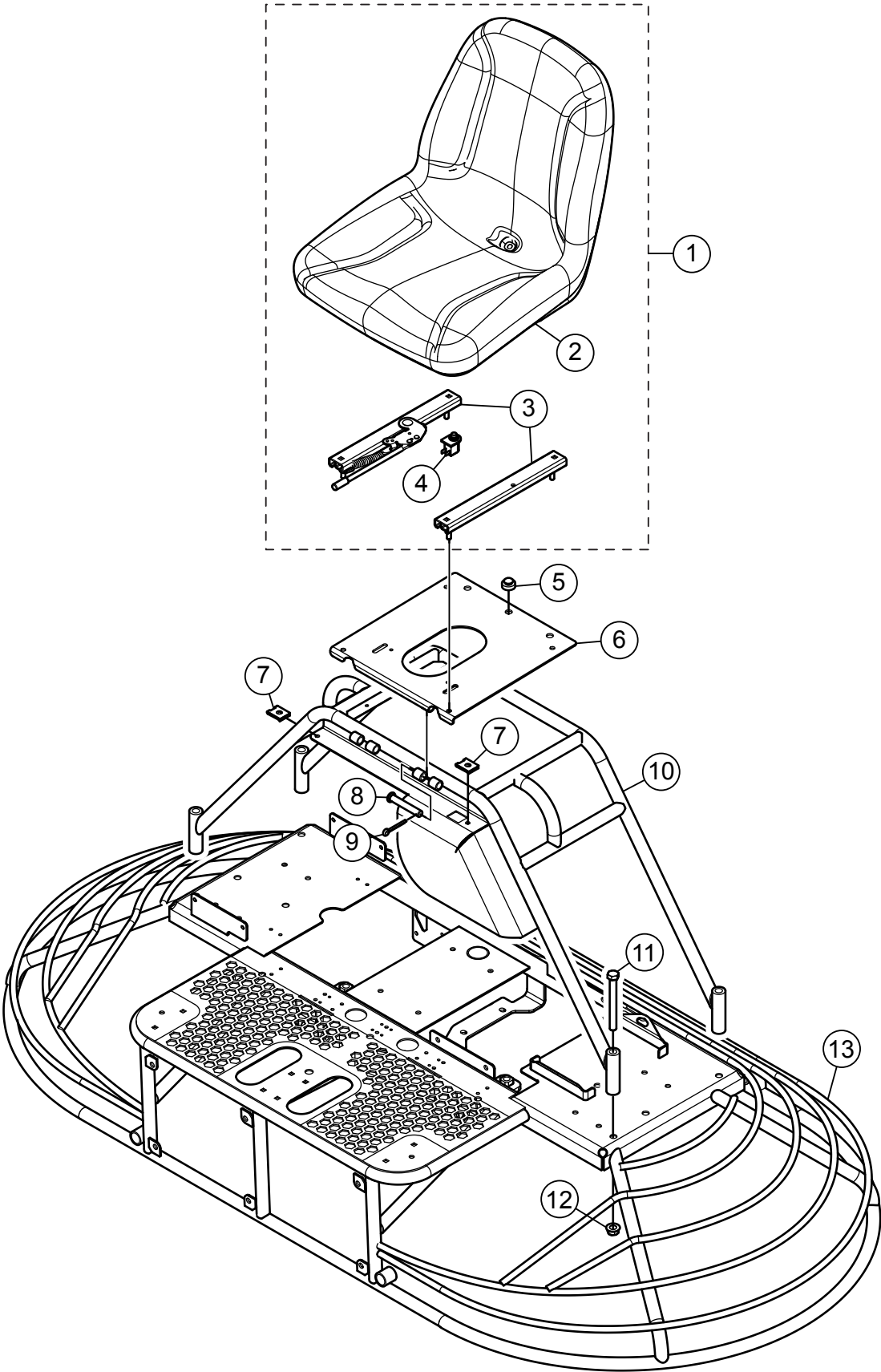
NAMEPLATE AND DECALS ASSY.



NAMEPLATE AND DECALS ASSY.

<u>NO.</u>	<u>PART NO.</u>	<u>PART NAME</u>	<u>QTY.</u>	<u>REMARKS</u>
1	23807	DECAL ISO, PITCH, LH 2.00" DIA	1	
2	23809	DECAL ISO, LUBRICATION POINT	2	
3	23805	DECAL ISO, LIFT LOCATION 1.00" DIA	2	
4	23804	DECAL ISO, DO NOT DISASSEMBLE, CYLINDER	3	
5	23698	DECAL ISO, ROTATING BLADE HAZARD	2	
6	23700	DECAL ISO, LIFTING / CRUSH HAZARD	2	
7	25678	DECAL ISO, BLADE ROTATION CCW	2	
8	4014	SCREW,#2, 3/16 P-K TYPE U DRIVE	2	
9		SERIAL PLATE	1.....	CONTACTMQPARTS DEPT.
10	21589	DECAL, WHITEMAN SERIES 4.76 X 21.82, WHT	2	
11	23235	BADGE, FOOT PLATFORM	1	
12	13118	DECAL, POWDER COATED	1	
13	23806	DECAL ISO, PITCH, RH 2.00" DIA	1	
14	32554	DECAL, LIGHT SWITCH	1	
15	36099	DECAL, ISO PROTECTIVE CLOTHING	1	
16	23812	DECAL ISO, FUEL GASOLINE 3.0" X 2.45"	1	
17	23810	DECAL ISO, INHALATION HAZARD, 2"	1	
18	32553	DECAL, BELT DRIVE	1	
19	23704	DECAL ISO, GUARD WARNING	1	
20	23808	DECAL ISO, HOT SURFACE HAZARD	1	
21	23811	DECAL ISO, NO WATER WARNING, 2.0" DIA	1	

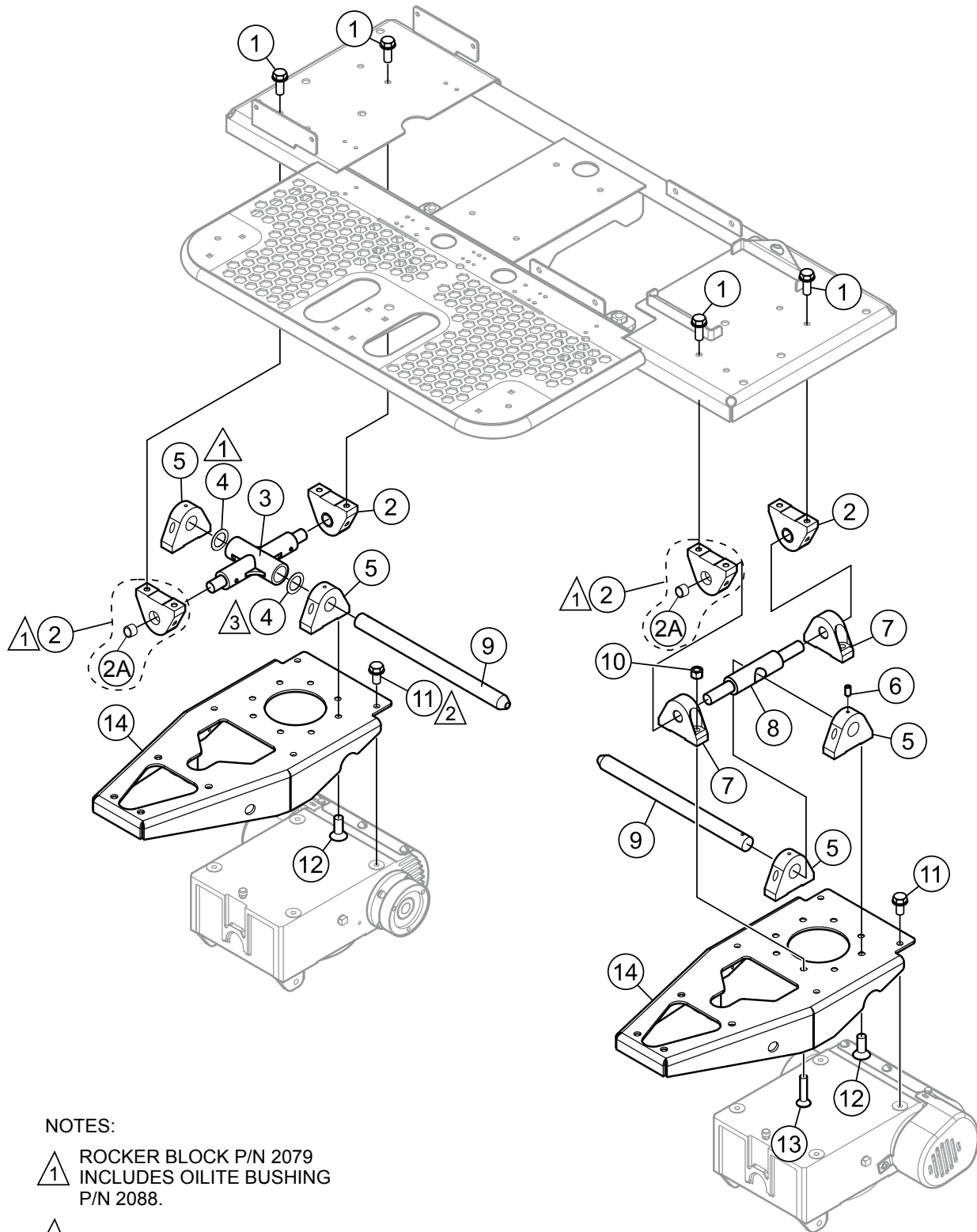
SEAT/FRAME ASSY.



SEAT/FRAME ASSY.

<u>NO.</u>	<u>PART NO.</u>	<u>PART NAME</u>	<u>QTY.</u>	<u>REMARKS</u>
1	21861	SEAT,MICHIGAN-ADJUSTABLE W/O ARMS1.....	1	INCLUDES ITEMS W/#
2#	21860	SEAT,BASIC-MICHIGAN V-2805 SERIES	1	
3#	21865	ADJUSTER KIT,SEAT-MICHIGAN V-2805	1	
4#	21870	KILL SWITCH,SEAT-DELTA SYS 6440-62	1	
5	21597	BUMPER,STEM 1" DIA x .5 S DIA x 19/64TK	3	
6	23522	SEAT PLATE W/A - JWN	1	
7	21894	CLIP, FAST LEAD-SOUTHCO 17-10027-17	2	
8	8081	PIN, CLEVIS 1/2 X 2-3/4"	2	
9	0183	PIN, COTTER 1/8Dx1-1/4"	2	
10	23527	SEAT FRAME W/A, JWN	1	
11	913222	SCREW, HHC 1/2-13 x 4-3/4"	4	
12	26328	NUT, FLANGED 1/2-13 SERRATED PLTD	4	
13	23501	FRAME, JWN , COMPLETE W/A	1	

PIVOT ASSY.



NOTES:

- ▲ 1 ROCKER BLOCK P/N 2079
INCLUDES OILITE BUSHING
P/N 2088.
- ▲ 2 BOLT TO GEARBOX
- ▲ 3 USE SHIMS AS REQUIRED TO
MINIMIZE LATERAL MOVEMENT
OF PIVOT ARMS.

PIVOT ASSY.

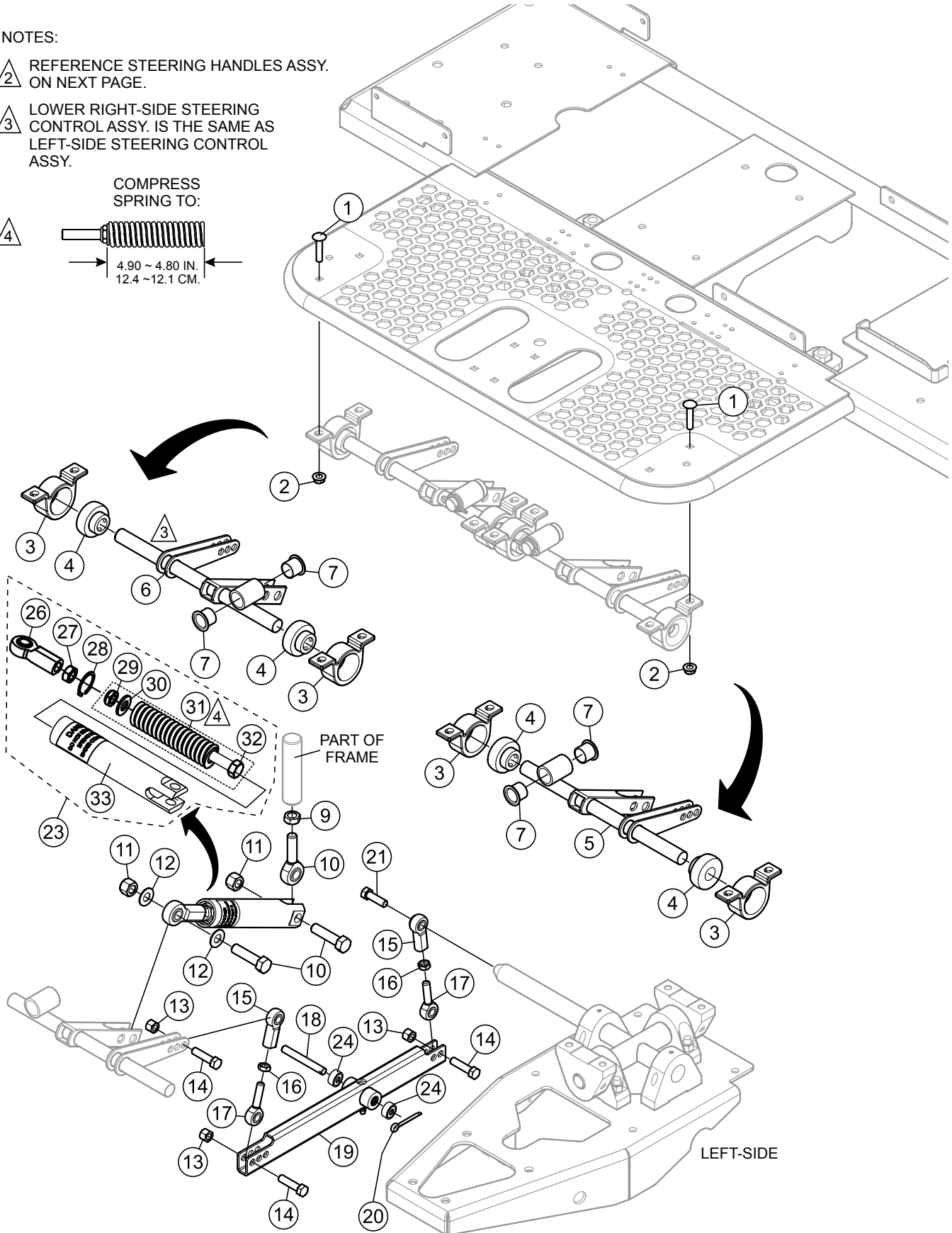
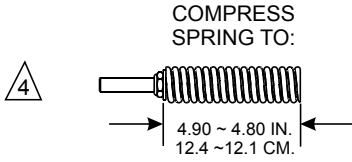
<u>NO.</u>	<u>PART NO.</u>	<u>PART NAME</u>	<u>QTY.</u>	<u>REMARKS</u>
1	22106	SCREW, HHFS 3/8-16 x 1.25" ZINC	8	
2	2079	ROCKER BLOCK WITH BUSHING	4.....	INCLUDES ITEM W/#
2A#	2088	BUSHING, FLANGE .875 DIA X .75 ID X 1.00	4	
3	2044	ARM, PIVOT J TROWELS RH	1	
4	11772	SHIM, STEEL .63xØ1.500ODxØ1.000ID	A/R	
4	11773	SHIM, STEEL .031xØ1.500ODxØ1.000ID	A/R	
5	20040	ROCKER BLOCK, 1.0 HOLE	4	
6	10138	SCREW, SHS 1/4-20 X 1/2", N.P.	4	
7	10973	ROCKER BLOCK W/FAN	2	
8	2076	TUBE, PIVOT	1	
9	2824	TUBE, CONTROL PIVOT 1"	2	
10	10133	NUT, NYLOC 3/8-16	4	
11	38274	SCREW, HHFS 3/8-16 X .75" ZINC	8	
12	1394	SCREW, FHSC 3/8-16 X 1"	8	
13	1481	SCREW, FHSC 3/8-16 X 1-3/4" PLATED	4	
14	23475	MOUNT, JWN GBOX	2	

STEERING CONTROL ASSY.

NOTES:

2 REFERENCE STEERING HANDLES ASSY. ON NEXT PAGE.

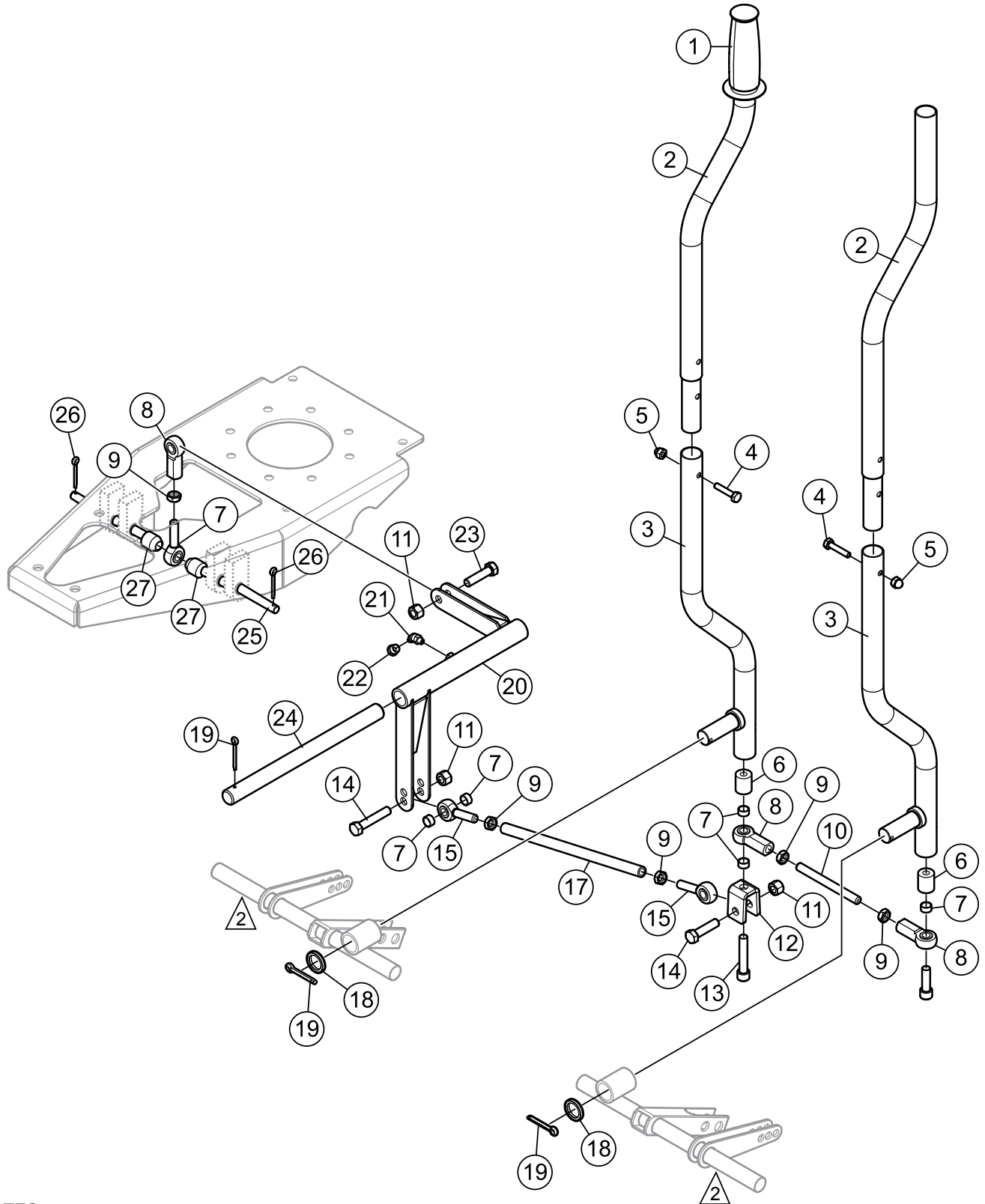
3 LOWER RIGHT-SIDE STEERING CONTROL ASSY. IS THE SAME AS LEFT-SIDE STEERING CONTROL ASSY.




STEERING CONTROL ASSY.

<u>NO.</u>	<u>PART NO.</u>	<u>PART NAME</u>	<u>QTY.</u>	<u>REMARKS</u>
1#	07046-011	BOLT, CARRIAGE 5/16-18 X 1.5" gr5, ZINC	8	
2#	49071	NUT, FLANGED 5/16-18 SERRATED PLTD	8	
3#	11138	BEARING, SB-204-12, HOUSING	4	
4#	11149	BEARING, SB-204-12, INSERT	4	
5#	12650	STEERING CONTROL, LEFT SIDE	1	
6#	12651	STEERING CONTROL, RIGHT SIDE	1	
7#	12408	BUSHING, GARLOCK 12FDU12	4	
9#	11146	NUT, HEX JAM 1/2-20 PLATED	2	
10#	11142	ROD END, 1/2-20 MALE RH	2	
11#	10176	NUT, NYLOC 1/2-13	4	
12#	9094	SPACER, STEERING ASSIST CLEVIS	4	
13#	10133	NUT, NYLOC 3/8-16	6	
14#	1284	SCREW, HHC 3/8-16 X 1-1/2"	6	
15#	2064	ROD END, 3/8-24 FEMAL RH	4	
16#	2199	NUT, HEX JAM 3/8-24	4	
17#	2063	ROD END, 3/8-24 MALE RH	4	
18#	11275	3/8 DIA X 3 DIAMOND CHAIN 100-2	2	
19#	11071	LEVER, STEERING CONTROL	2	
20#	6014 B	PIN, COTTER 3/32DX1.00	2	
21#	1023	SCREW, HHC 3/8-16 X 1-1/4" GR 5	2	
23#	12625	STEERING ASSIST, ASSY.....	1	INCLUDES ITEMS W/%
24#	11072	BEARING, TORRINGTON JT69	4	
25#	7798	STEERING ASSY.....	1	INCLUDES ITEMS W/#
26%	11143	ROD END, 1/2-20 FEMALE RH	1	
27%	11146	NUT, HEX JAM 1/2-20 PLATED	1	
28%	12197	SNAP RING Ø1.25	1	
29%	10087	NUT, NYLOC, JAM 1/2-13	1	
30%	0447	WASHER, FLAT 1/2 SAE	1	
31%	12624	SPRING, STEERING ASSIST	1	
32%	12198	SCREW, HHC 1/2-20 X 7" TAP	1	
33%	12195	HOUSING, STEERING ASSIST SPRING	1	

STEERING HANDLES ASSY.



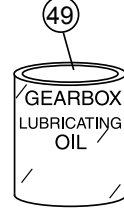
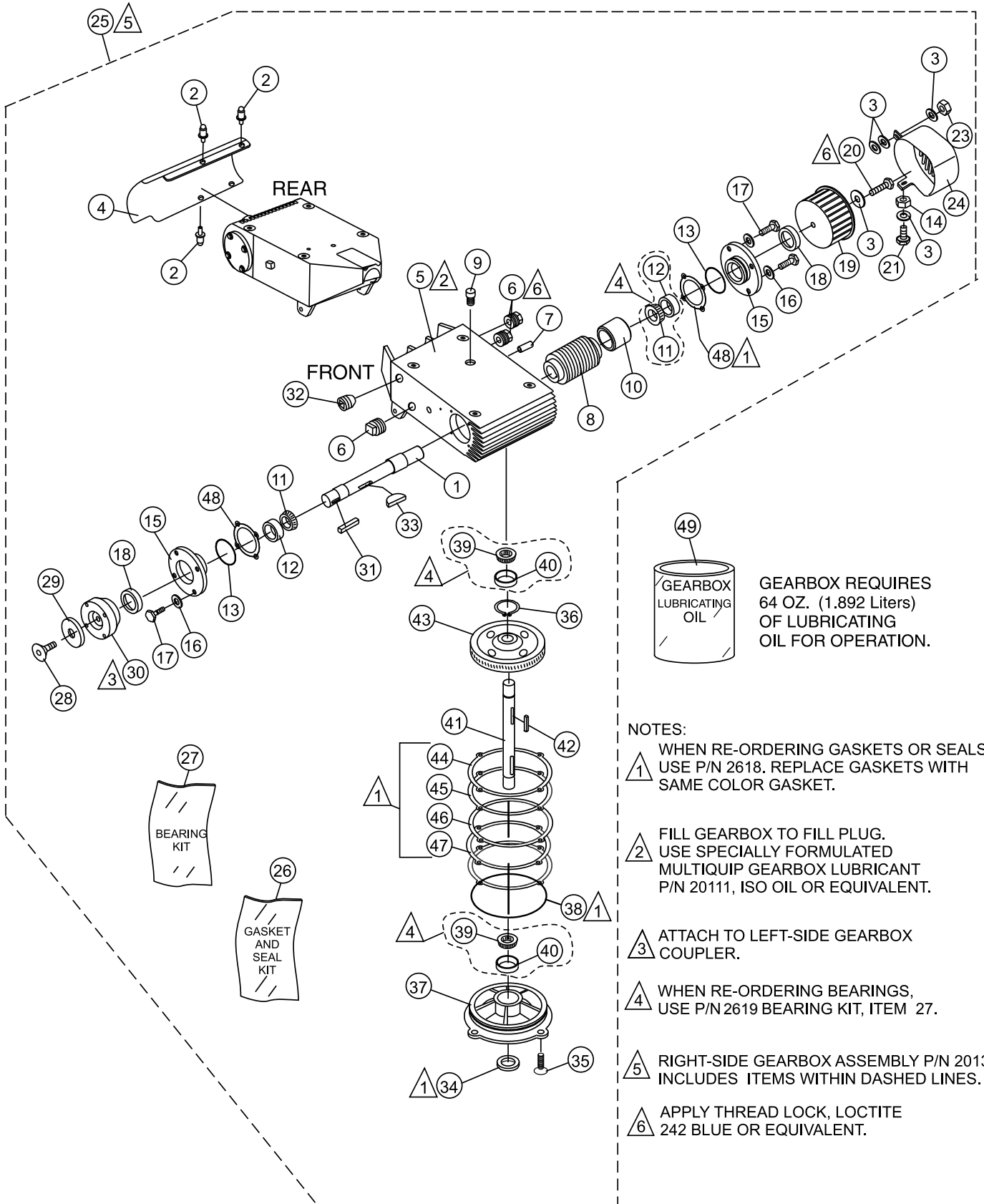
NOTES:

 REFERENCE STEERING CONTROL ASSY. ON PREVIOUS PAGE., ITEMS 5 AND 6.

STEERING HANDLES ASSY.

<u>NO.</u>	<u>PART NO.</u>	<u>PART NAME</u>	<u>QTY.</u>	<u>REMARKS</u>
1#	20478	GRIP, HANDLE	1	
2#	10130	HANDLE TUBE	2	
3#	11079	HANDLE, LOWER	2	
4#	0424	SCREW, HHC 1/4-20 X 1-1/4"	2	
5#	2197	NUT, ACORN 1/4-20	2	
6#	11080	PLUG, LOWER HANDLE	2	
7#	2196	SPACER, 0.5 X 0.402 X .25L	5	
8#	2064	ROD END, 3/8-24 FEMAL RH	3	
9#	2199	NUT, HEX JAM 3/8-24	5	
10#	11498	THREADPIECE, CONN. STEERING	1	
11#	10133	NUT, NYLOC 3/8-16	3	
12#	11303	BRACKET, L/R MOTION ROD	1	
13#	11089	SCREW, SHC 3/8-16 X 2" PLATED	1	
14#	1665	SCREW, HHC 3/8-16 X 2"	2	
15#	2063	ROD END, 3/8-24 MALE RH	3	
17#	11513	ROD, L/R, LINKAGE	1	
18#	11265	WASHER, STEERING HANDLE 1.0 OD X .75 ID X .14	2	
19#	2219	PIN, COTTER 1/8DX1-1/2	3	
20#	11441	RIGHT-LEFT MOTION CONTROL ARM	1	
21#	5228	FITTING, GREASE ZERK 45 DEG 1/4-28	1	
22#	1162 A	CAP, GREASE ZERK, #2 YELLOW	1	
23#	1665	SCREW, HHC 3/8-16 X 2	1	
24#	11497	SHAFT, L/R, MOTION LEVER	1	
25#	3550	PIN, 3/8 DIA X 5-7/8 LONG	1	
26#	6014 B	PIN, COTTER 3/32DX1.00	2	
27#	2188	SPACER	2	

GEARBOX ASSY. (RIGHT)



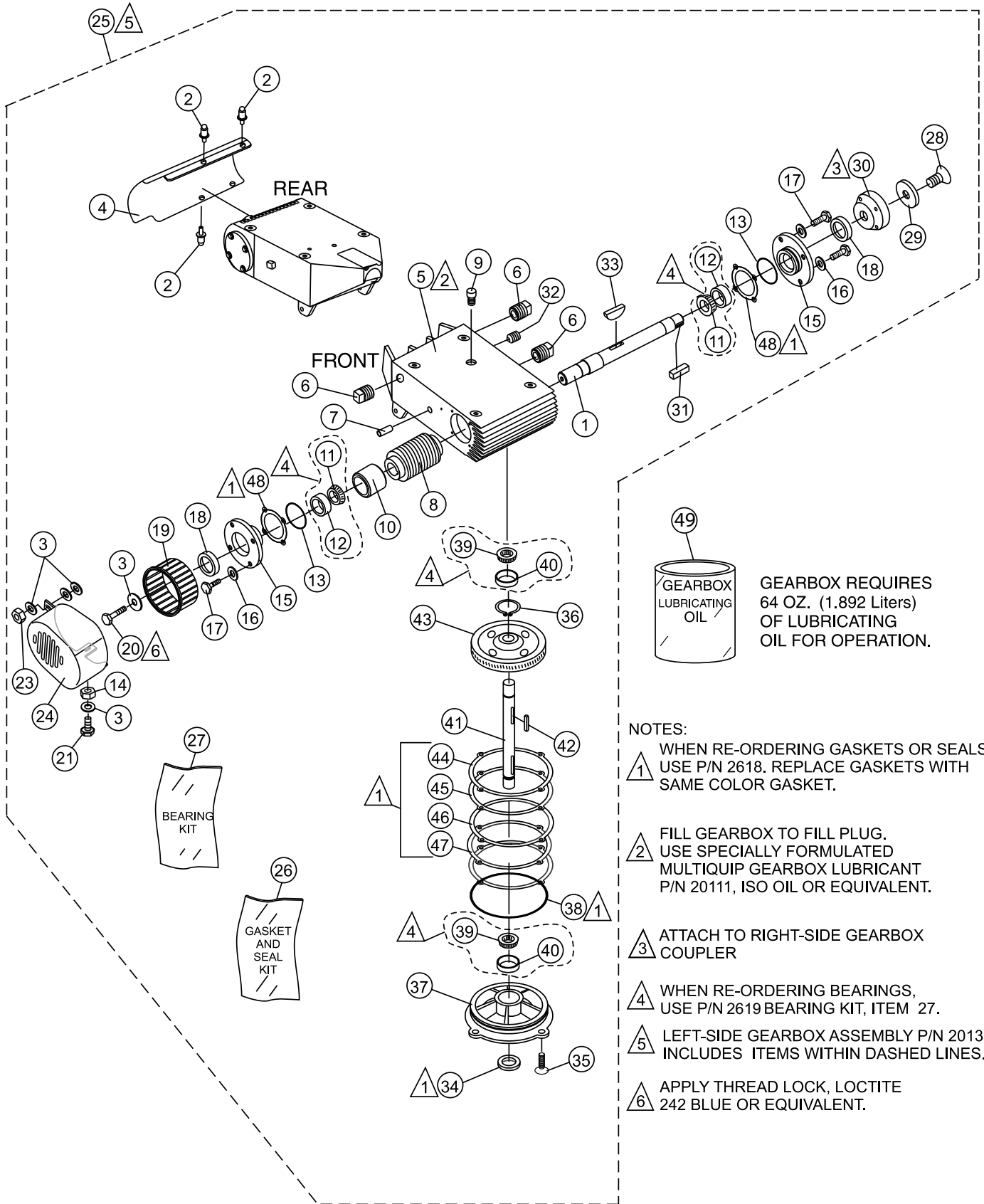
GEARBOX REQUIRES
64 OZ. (1.892 Liters)
OF LUBRICATING
OIL FOR OPERATION.

- NOTES:
- 1 WHEN RE-ORDERING GASKETS OR SEALS USE P/N 2618. REPLACE GASKETS WITH SAME COLOR GASKET.
 - 2 FILL GEARBOX TO FILL PLUG. USE SPECIALLY FORMULATED MULTIQUIP GEARBOX LUBRICANT P/N 20111, ISO OIL OR EQUIVALENT.
 - 3 ATTACH TO LEFT-SIDE GEARBOX COUPLER.
 - 4 WHEN RE-ORDERING BEARINGS, USE P/N 2619 BEARING KIT, ITEM 27.
 - 5 RIGHT-SIDE GEARBOX ASSEMBLY P/N 20134 INCLUDES ITEMS WITHIN DASHED LINES.
 - 6 APPLY THREAD LOCK, LOCTITE 242 BLUE OR EQUIVALENT.

GEARBOX ASSY. (RIGHT)

<u>NO.</u>	<u>PART NO.</u>	<u>PART NAME</u>	<u>QTY.</u>	<u>REMARKS</u>
1%	20065	SHAFT, GEARBOX INPUT W/FAN	1	
2%	21992	RIVET, POP BH .187 X .188-.250 AL/STL	4	
3%	0948	WASHER, FLAT, 1/4 SAE	6	
4%	12981	SHROUD, GB FIN COVER, RIGHT	1	
5%	20353	GEAR BOX 1-1/8 SHAFT	1	
6%	0121A	FITTING, PLUG 3/8MP SQUARE HEAD	3	
7%	10989	STUD, N10- 32 X 3/4	1	
8%	12908	RIGHT HAND WORM	1	
9%	1132	VENT, AIR	1	
10%	12583	SPACER, X 11D X 1.168L	1	
11%+	9045	BEARING, CONE TIMKEN #1986	1	
12%+	0232A	BEARING, CUP, TIMKEN #1932	1	
13%#	2309	O-RING, 2-13/16" VINTON	1	
14%	0937	NUT, HEX #10- 32	1	
15%	2307	FLANGE, COUNTERSHAFT	1	
16%	10031	WASHER, EXT SHKP 1/4	8	
17%	2295	SCREW, HHC 1/4- 20 X 7/8"	8	
18%	12909	SEAL, OIL, NATIONAL #471689V	1	
19%	10921	FAN, RIGHT SIDE	1	
20%	0424	SCREW, HHC 1/4- 20 X 1-1/4"	1	
21%	19477	SCREW, HHC, WASHER 10- 32 X 1/2"	1	
23%	10019	NUT, NYLOC 10- 32	1	
24%	10894	RIGHT SIDE FAN COVER	1	
25%	20134	GEARBOX ASSY., RS W/FAN	1	INCLUDES ITEMS W/%
26%	2618	GASKET AND SEAL KIT	1	INCLUDES ITEMS W/#
27%	2619	BEARING KIT	1	
28%	1313	SCREW, FHSC 3/8- 24 X 3/4" PLAIN	1	
29%	9120	RETAINER, DRIVEN PULLEY	1	
30%	2048	COUPLER- 7/8" ID	1	
31%	2323	KEY, 1/4 X 1/4 X 13/16"	1	
32%	10450	SCREW, SHS 10- 32 X 1/4"	1	
33%	1139	KEY, WOODRUFF #21 HARDENED	1	
34%#	9041	SEAL, 1-1/8 DIA NAT # 471763V	1	
35%	1146	SCREW, FHS 5/16- 18 X 1" NYLOC	4	
36%	1138	RING, SNAP TRUARC #5100- 112	1	
37%	9036	COVER, GEARBOX 1-1/8 SHAFT	1	
38%#	9038	O-RING, A- 264 VITON	1	
39%	0232	BEARING, CONE TIMKEN #15126	2	
40%	0232A	BEARING, CUP, TIMKEN #1932	2	
41%	20013	SHAFT, OUTPUT HD GEARBOX	1	
42%	9180	KEY, 5/16 X 2-1/4" HRDND	1	
43%	9181	GEAR, WORM RH. HD	1	
44%#		GASKET, RED	1	SOLD AS KIT ONLY
45%#		GASKET, GREEN	1	SOLD AS KIT ONLY
46%#		GASKET, BLUE	1	SOLD AS KIT ONLY
47%#		GASKET, BROWN	1	SOLD AS KIT ONLY
48%#		GASKET, YELLOW	1	SOLD AS KIT ONLY
49	20111	OIL, MOBIL SHC 634 ISO VG640, 64 OZ.	AR	

GEARBOX ASSY. (LEFT)



GEARBOX REQUIRES
64 OZ. (1.892 Liters)
OF LUBRICATING
OIL FOR OPERATION.

- NOTES:
- ① WHEN RE-ORDERING GASKETS OR SEALS USE P/N 2618. REPLACE GASKETS WITH SAME COLOR GASKET.
 - ② FILL GEARBOX TO FILL PLUG. USE SPECIALLY FORMULATED MULTIQUIP GEARBOX LUBRICANT P/N 20111, ISO OIL OR EQUIVALENT.
 - ③ ATTACH TO RIGHT-SIDE GEARBOX COUPLER
 - ④ WHEN RE-ORDERING BEARINGS, USE P/N 2619 BEARING KIT, ITEM 27.
 - ⑤ LEFT-SIDE GEARBOX ASSEMBLY P/N 20133 INCLUDES ITEMS WITHIN DASHED LINES.
 - ⑥ APPLY THREAD LOCK, LOCTITE 242 BLUE OR EQUIVALENT.

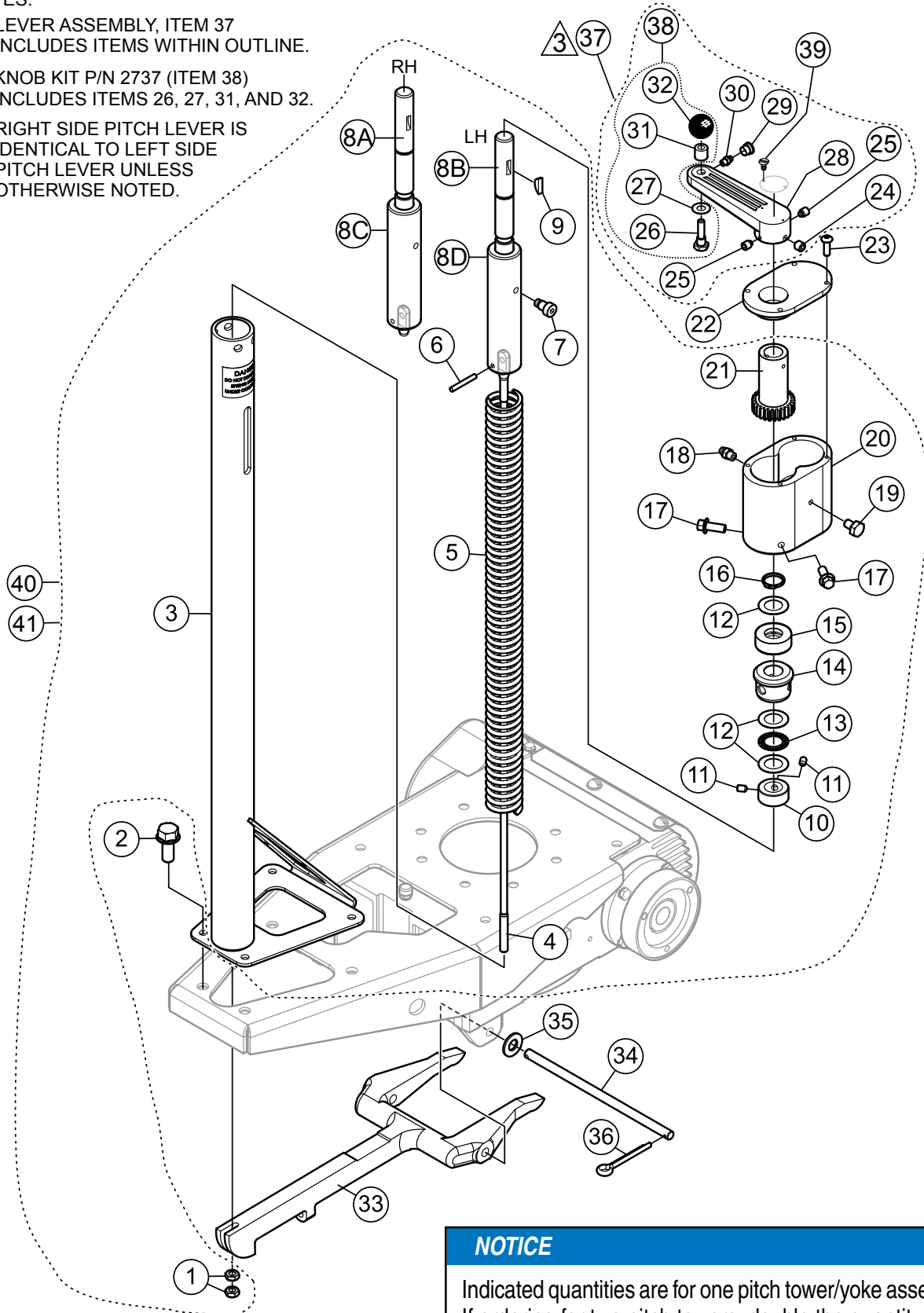
GEARBOX ASSY. (LEFT)

<u>NO.</u>	<u>PART NO.</u>	<u>PART NAME</u>	<u>QTY.</u>	<u>REMARKS</u>
1%	20065	SHAFT, GEARBOX INPUT W/FAN	1	
2%	21992	RIVET, POP BH .187 X .188-.250 AL/STL	4	
3%	0948	WASHER, FLAT, 1/4 SAE	6	
4%	12982	SHROUD, GB FIN COVER, LEFT	1	
5%	20353	GEAR BOX 1-1/8 SHAFT	1	
6%	0121A	FITTING, PLUG 3/8MP SQUARE HEAD	3	
7%	10989	STUD, N10- 32 X 3/4	1	
8%	12907	LEFT HAND WORM	1	
9%	1132	VENT, AIR	1	
10%	12583	SPACER, X 11D X 1.168L	1	
11%+	9045	BEARING, CONE TIMKEN #1986	1	
12%+	0232A	BEARING, CUP, TIMKEN #1932	1	
13%#	2309	O-RING, 2-13/16" VINTON	1	
14%	0937	NUT, HEX #10- 32	1	
15%	2307	FLANGE, COUNTERSHAFT	1	
16%	10031	WASHER, EXT SHKP 1/4	4	
17%	2295	SCREW, HHC 1/4- 20 X 7/8"	4	
18%	12909	SEAL, OIL, NATIONAL #471689V	1	
19%	10922	FAN, LEFT SIDE	1	
20%	0424	SCREW, HHC 1/4- 20 X 1-1/4"	1	
21%	19477	SCREW, HHC, WASHER 10- 32 X 1/2"	1	
23%	10019	NUT, NYLOC 10- 32	1	
24%	10893	LEFT SIDE FAN COVER	1	
25	20133	GEARBOX ASSY., LS W/FAN	1	INCLUDES ITEMS W/%
26%	2618	GASKET AND SEAL KIT	1	INCLUDES ITEMS W/#
27%	2619	BEARING KIT	1	
28%	1313	SCREW, FHSC 3/8- 24 X 3/4 PLAIN	1	
29%	9120	RETAINER, DRIVEN PULLEY	1	
30%	2048	COUPLER- 7/8" ID	1	
31%	2323	KEY, 1/4 X 1/4 X 13/16"	1	
32%	10450	SCREW, SHS 10- 32 X 1/4"	1	
33%	1139	KEY, WOODRUFF #21 HARDENED	1	
34%#	9041	SEAL, 1-1/8 DIA NAT # 471763V	1	
35%	1146	SCREW, FHS 5/16- 18 X 1" NYLOC	4	
36%	1138	RING, SNAP TRUARC #5100- 112	1	
37%	9036	COVER, GEARBOX 1-1/8 SHAFT	1	
38%#	9038	O-RING, A- 264 VITON	1	
39%	0232	BEARING, CONE TIMKEN #15126	2	
40%	0232A	BEARING, CUP, TIMKEN #1932	2	
41%	20013	SHAFT, OUTPUT HD GEARBOX	1	
42%	9180	KEY, 5/16 X 2-1/4" HRDND	1	
43%	2001	GEAR, WORM LH. HD	1	
44%#		GASKET, RED	1	SOLD AS KIT ONLY
45%#		GASKET, GREEN	1	SOLD AS KIT ONLY
46%#		GASKET, BLUE	1	SOLD AS KIT ONLY
47%#		GASKET, BROWN	1	SOLD AS KIT ONLY
48%#		GASKET, YELLOW	2	SOLD AS KIT ONLY
49	20111	OIL, MOBIL SHC 634 ISO VG640, 64 OZ.	AR	

PITCH CONTROL TOWER/YOKE ASSY.

NOTES:

- 1 LEVER ASSEMBLY, ITEM 37
INCLUDES ITEMS WITHIN OUTLINE.
- 2 KNOB KIT P/N 2737 (ITEM 38)
INCLUDES ITEMS 26, 27, 31, AND 32.
- 3 RIGHT SIDE PITCH LEVER IS
IDENTICAL TO LEFT SIDE
PITCH LEVER UNLESS
OTHERWISE NOTED.



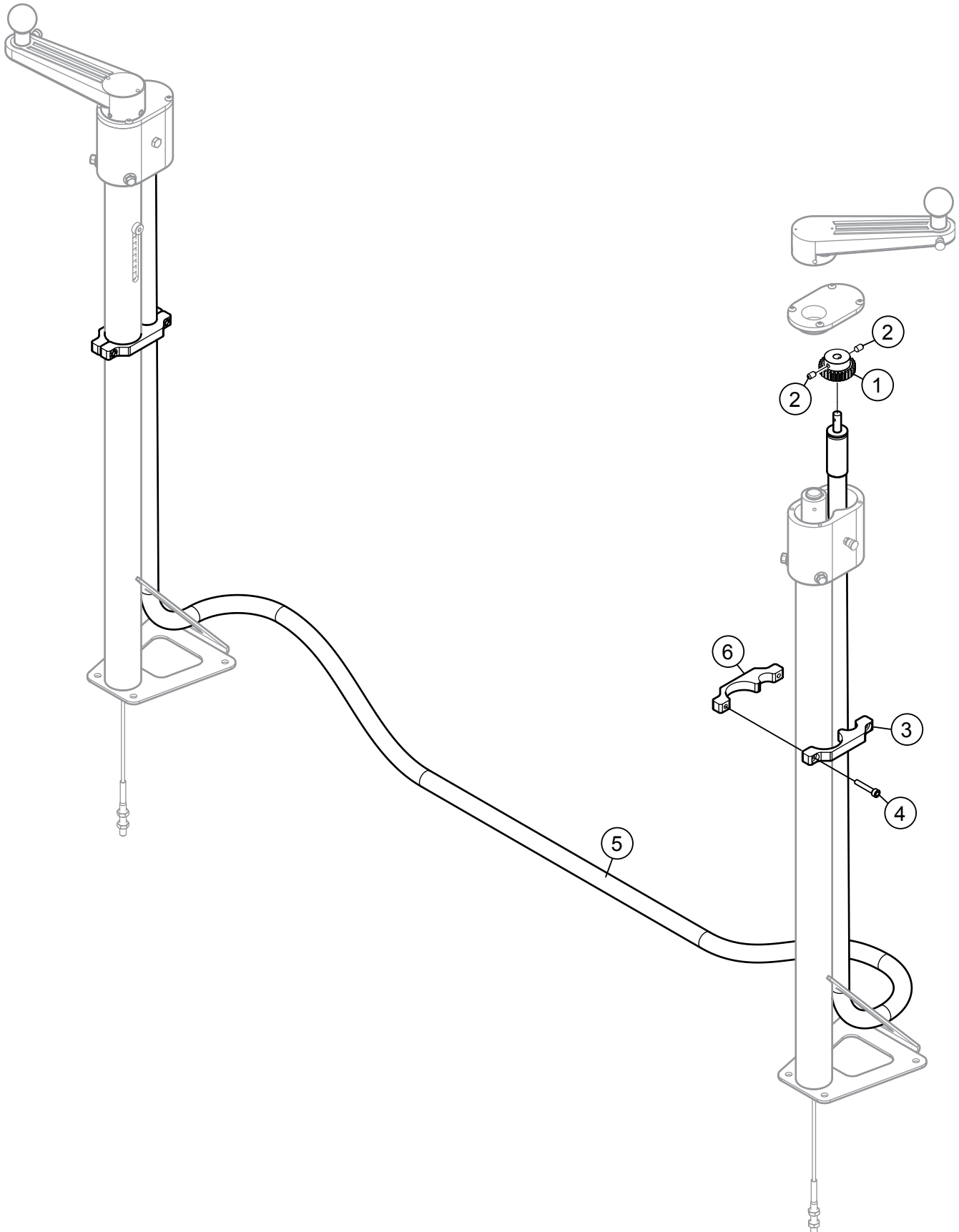
NOTICE

Indicated quantities are for one pitch tower/yoke assembly.
If ordering for two pitch towers, double the quantity.

PITCH CONTROL TOWER/YOKE ASSY.

<u>NO.</u>	<u>PART NO.</u>	<u>PART NAME</u>	<u>QTY.</u>	<u>REMARKS</u>
1	1116	NUT, BRASS JAM 5/16-18	2	
2	36720	SCREW, HHFS 5/16-18 x 3/4" GR5	4	
3	23582	TOWER W/A, PITCH CONTROL , RH	1	RIGHT
3	23581	TOWER W/A, PITCH CONTROL, LH	1	LEFT
4	2008	CABLE, TWIN PITCH, 25.63"	1	
5	2156	SPRING, COMPRESSION, 15/16" ODX20-5/8" LEN.	1	
6	10723	PIN, SPIRAL 3/16 X 1-3/8 HD	1	
7	10382	BOLT, SHOULDER, 3/8 X 3/8 LONG	1	
8A	10510	SHAFT, PITCH CONTROL, RH	1	
8B	10511	SHAFT, PITCH CONTROL, LH	1	
8C	10721	BLOCK, SLIDE RH PITCH CONTROL TUBE	1	
8D	10722	BLOCK, SLIDE LH PITCH CONTROL TUBE	1	
9	0126	KEY, WOODRUFF #606 3/16 x 3/4 (#9)	1	
10%	2367	COLLAR, SET .75 X 1.25 X .56, 2	1	
11		SET SCREW	2	INCLUDED SITE MW/%
12	2170	BEARING, RACE, TORR. #TRA1220	3	
13	2169	BEARING, THRUST, TORR. #NTA1220	1	
14	1612	BEARING TROWEL CONTROL	1	
15	1604	BEARING, BALL THRUST E5 AETNA	1	
16	10512	RING, SNAP, TRUARC 5160-75	1	
17	22021	SCREW, HEX FLANGE M8-1.25 x 20MM GR10.9	2	
18	2621	FITTING, GREASE ZERK STR 1/4-28	1	
19	20476	SCREW, HHC 1/4-28 X 3/8"	1	
20	23037	HOUSING, PITCH CONTROL GEARBOX	1	
21	1529	GEAR, DRIVE PITCH CONTROL	1	
22	2649	COVER, PITCH CONTROL HOUSING RDRS	1	
23	9191	SCREW, BHSC M5-0.8X16MM, ZP	4	
24\$	0185	SCREW, SHS 3/8-16 X 3/8", NO PLATE	1	
25\$	1528	SCREW, SHS 1/4-20 X 5/16" H.D.P	2	
26#	1616	BOLT, SHOULDER .50 DIA. x .469 x 3/8-16	1	
27#	1733	WASHER, 1/2 X 1/32, AN960-816L	1	
28\$	1615	LEVER, TROWEL ADJ.	1	
29\$	1162 A	CAP, GREASE ZERK, #2 YELLOW	1	
30\$	2621	FITTING, GREASE ZERK STR 1/4-28	1	
31#	3231	SPACER, .75 DIA. x .406 DIA. x .688	1	
32#	4403	KNOB, ROUND 1-3/8 DIA. x 3/8-16 BLACK	1	
33	9027	YOKE ARM	1	
34	9028	PIN, YOKE	1	
35	10136	WASHER, FLAT SAE 3/8	2	
36	0683	PIN, COTTER 3/32D X 3/4"	2	
37	1617	LEVER, TROWEL ASSY.....	2	INCLUDES ITEMS W/\$
38\$	2737	KIT, KNOB	1	INCLUDES ITEMS W/#
39	4014	SCREW, 2-3/16 P-K TYPE U DRIVE	2	
40	23579	TOWER ASSY., PITCH CONTROL, LH	1	
41	23580	TOWER ASSY., PITCH CONTROL, RH	1	

PITCH CONTROL DRIVE CABLE ASSY.



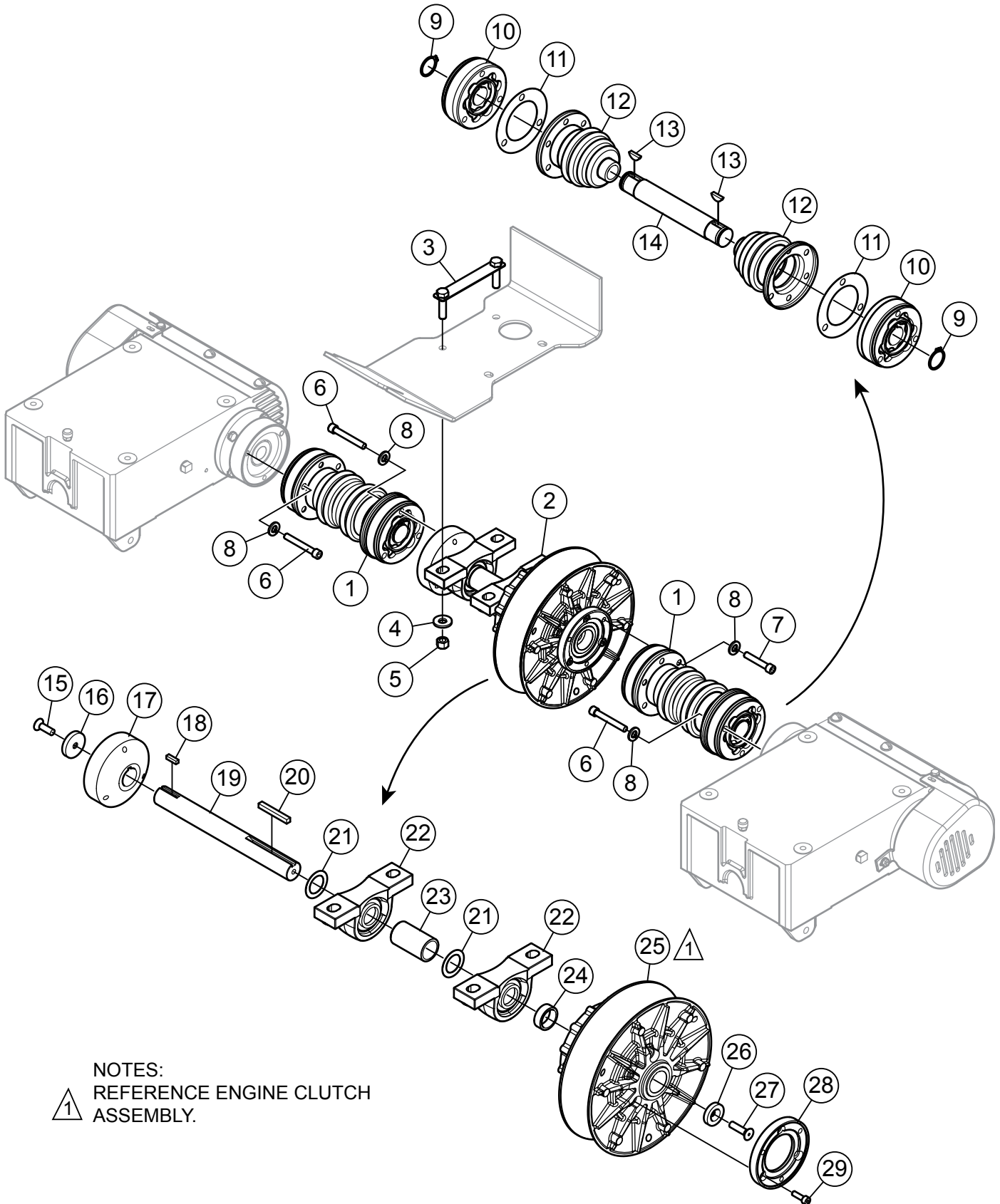
PITCH CONTROL DRIVE CABLE ASSY.

<u>NO.</u>	<u>PART NO.</u>	<u>PART NAME</u>	<u>QTY.</u>	<u>REMARKS</u>
1	23036	GEAR, PITCH CONTROL	1	
2	9195	SHS M5-0.8 X 10 CONE PT PATCH	2	
3	23295	CLAMP, PITCH CABLE	1	
4	37325	SHC M5-0.8 X 30MM	2	
5	23503	DRIVE CABLE, PITCH CONTROL	1	
6	23615	CLAMP, PITCH CABLE, THREADED	1	

NOTICE

Indicated quantities are for one pitch control drive assembly. If ordering for two pitch control drives, double the quantity.

DRIVE ASSY.

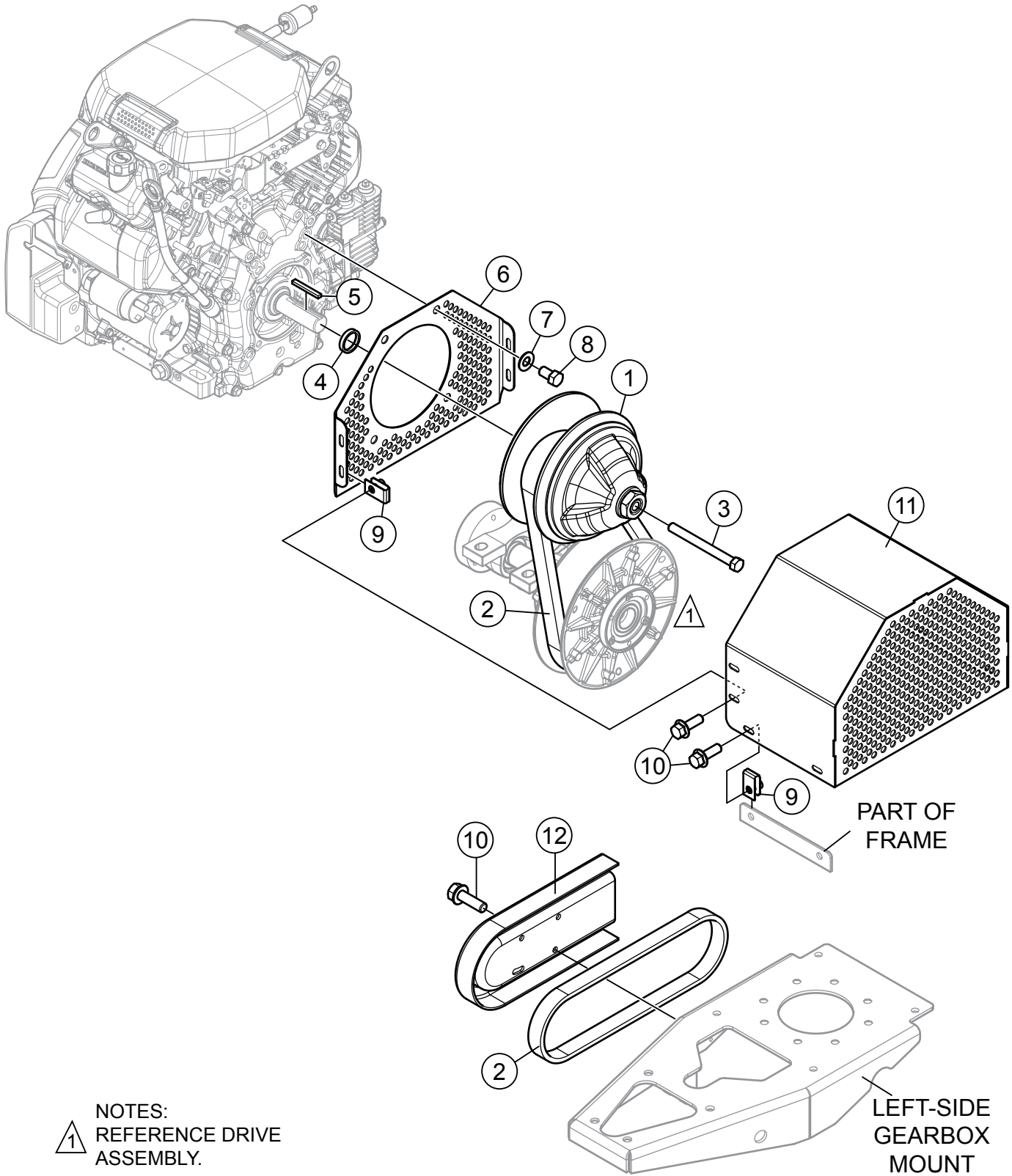


NOTES:
1 REFERENCE ENGINE CLUTCH ASSEMBLY.

DRIVE ASSY.

<u>NO.</u>	<u>PART NO.</u>	<u>PART NAME</u>	<u>QTY.</u>	<u>REMARKS</u>
1	23477	CV JOINT ASSEMBLY.....	2.....	INCLUDES ITEMS W/@
2	23485	CROSS SHAFT ASSEMBLY.....	1.....	INCLUDES ITEMS W/%
3	20186	PLATE, PILLOW BLOCK BEARING MOUNT	2	
4	13351	WASHER, FLAT 3/8 EXT THICK HIGH STRGTH	4	
5	10133	NUT, NYLOC 3/8-16	4	
6	2186	SCREW, SHC 5/16-18 X 2-1/4" PLTD	9	
7	0243	SCREW, SHC 5/16-18 X 1-3/4"	3	
8	0161 C	WASHER, LOCK, 5/16 MED.	12	
9%	2090	SNAP RING, TRUARC#5100-106 1.062 DIAx.056	2	
10%	392052	JOINT, C.V.	2	
11%	11108	GASKET, C.V. JOINT BOOT	2	
12% @	2259	BOOT ASM, C.V. JOINT	2	
13%	0126	KEY, WOODRUFF #606 3/16x3/4 (#9)	2	
14%	2071	SHAFT, C.V. JOINT 7.44LG	1	
15%	1146	SCREW, FHSC 5/16-18 X 1", NYLOC, NP	1	
16%	2037	SPACER, CSK 1.375 DIA. x .328 DIA. x .250	1	
17%	2029	COUPLER, C.V. 1.000 DIA SHAFT DRIVE	1	
18%	10909	KEY, 3/16" SQ X 11/16"	1	
19%		SHAFT, DRIVE BEARING	1.....	MUST ORDER P/N 23485
20%	6059 B	KEY, 1/4 SQ X 2"	1	
21%	11773	SHIM, STEEL .031 x 1.500 DIA. x 1.000 DIA.	2	
22%	32484	BEARING, P-BLOCK 1.0"-JIB #VPLS205-16	2	
23%	23531	SPACER, BEARING SHAFT	1	
24%	23532	SPACER, LOWER CLUTCH	1	
25%	23511	PULLEY, DRIVEN JWN24	1	
26%	23484	RETAINER, DRIVEN CLUTCH	1	
27%	9092	SCREW, FHSC 5/16-18 X .25" NYLON PATCH	1	
28%	23480	COUPLER, CV JOINT	1	
29%	17108	SCREW, SHC M6-1.00 X 20, DIN912 CL12.9	3	

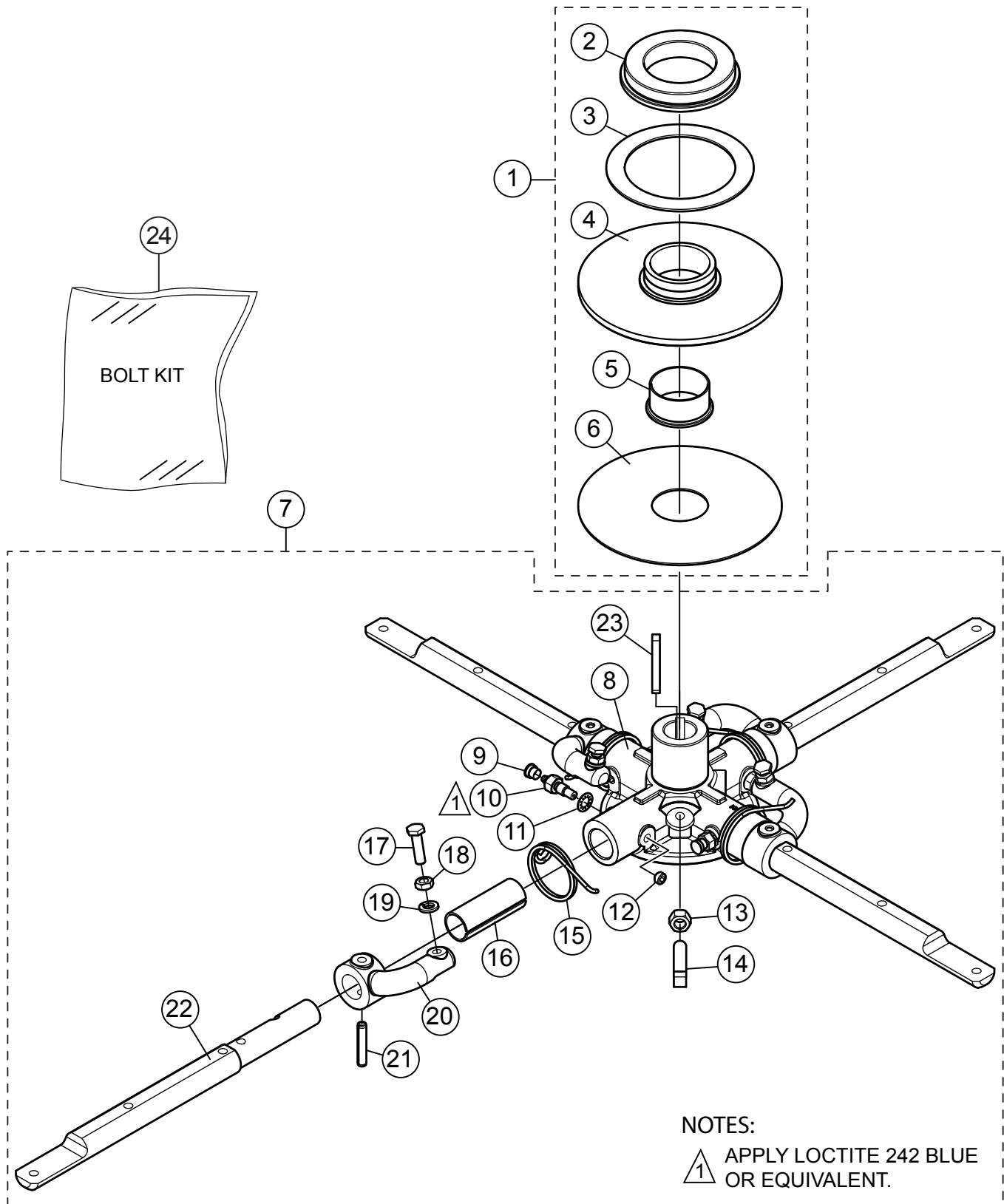
ENGINE CLUTCH ASSY.



ENGINE CLUTCH ASSY.

<u>NO.</u>	<u>PART NO.</u>	<u>PART NAME</u>	<u>QTY.</u>	<u>REMARKS</u>
1	23512	CLUTCH, DRIVE	1	
2	23513	BELT, LIGHT DUTY RIDER CVT	2	
3	23516	SCREW, HHC 7/16-20 x 4.0" GRD 8	1	
4	23590	SPACER, UPPER CLUTCH	1	
5	22632	KEY, STEEL .188 x .250 x 2.063	1	
6	23565	PANEL, BACK, BELT GUARD	1	
7	933243	WASHER, FLAT SAE 7/16 GRD 9 YZ	4	
8	15563	SCREW, HHC 7/16-14 X 0.75"	4	
9	11534	NUT, "U" TYPE, 1/4-20	8	
10	49048	SCREW, HHFS 1/4-20 X 3/4" GR5	10	
11	23562	GUARD, BELT	1	
12	2429	BELT HOLDER, CVT SPARE BELT	1	

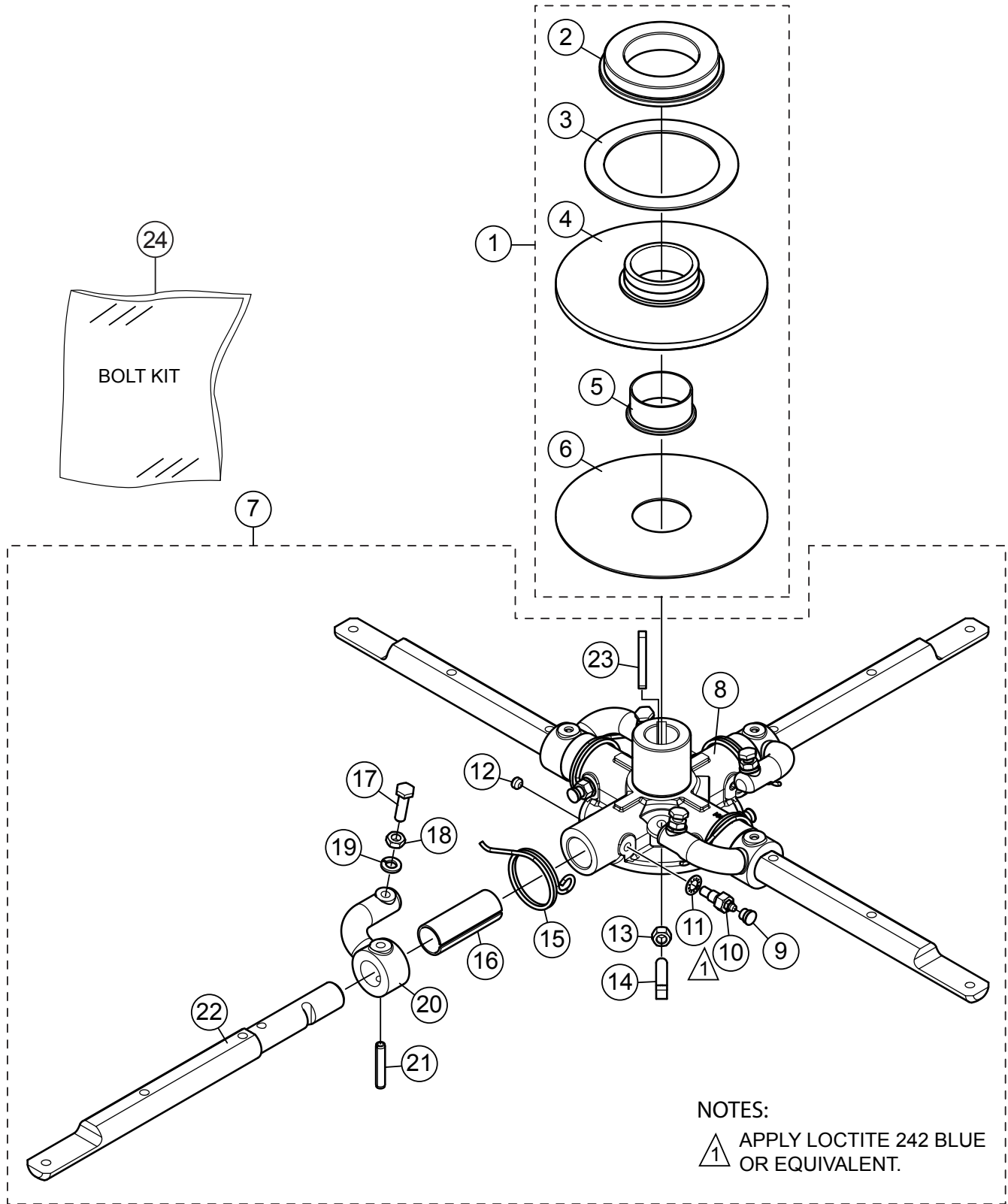
SPIDER ASSY. (LEFT)



SPIDER ASSY. (LEFT)

<u>NO.</u>	<u>PART NO.</u>	<u>PART NAME</u>	<u>QTY.</u>	<u>REMARKS</u>
1	10968	THRUST COLLAR ASSY., JB SEALED.....	1.....	INCLUDES ITEMS W/@
2@	12778	BEARING, THRUST 6013-2RS	1	
3@	12208	WEAR RING, SEALED THRUST	1	
4@	39A1796	CASTING, THRUST COLLAR J & B	1	
5@	1471	BUSHING, BRONZE	1	
6@	1154 A	PLATE, WEAR	1	
7	20369	SPIDER ASSEMBLY, 4BLD LEFT SIDE	1.....	INCLUDES ITEMS W/%
8%	22646	SPIDER HUB ASSEMBLY	1	
9%	1162 A	CAP, GREASE ZERK, #2 YELLOW	4	
10%	A5978	SCREW, ARM RETAINING	4	
11%	1875	WASHER, INT. SHKP, 3/8	4	
12%	11602	SCREW, SHS 3/8-16 X .25"	4	
13%	1456	NUT, HEX FINISH 3/8-16	1	
14%	12097	SCREW, SQHS 3/8-16 X 1-3/4" CONE GRD 8	1	
15%	1316	SPRING, LS J/B ARM RETURN	4	
16%	1157 A	BUSHING, INSERT	4	
17%	0164 B	SCREW, HHC ROUNDED	4	
18%	1876	NUT, HEX JAM 3/8-16 CLASS 2B	4	
19%	0166 A	WASHER, LOCK, 3/8 MED.	4	
20%	1555	LEVER, TROWEL ARM, LEFT HAND	4	
21%	4164	PIN, ROLL 5/16 X 1-3/4", NO PLATE	4	
22%	20409	ARM, TROWEL BLADE JWN LEFT	4	
23%	9193	KEY, SQ RN .312 X 3.00	1	

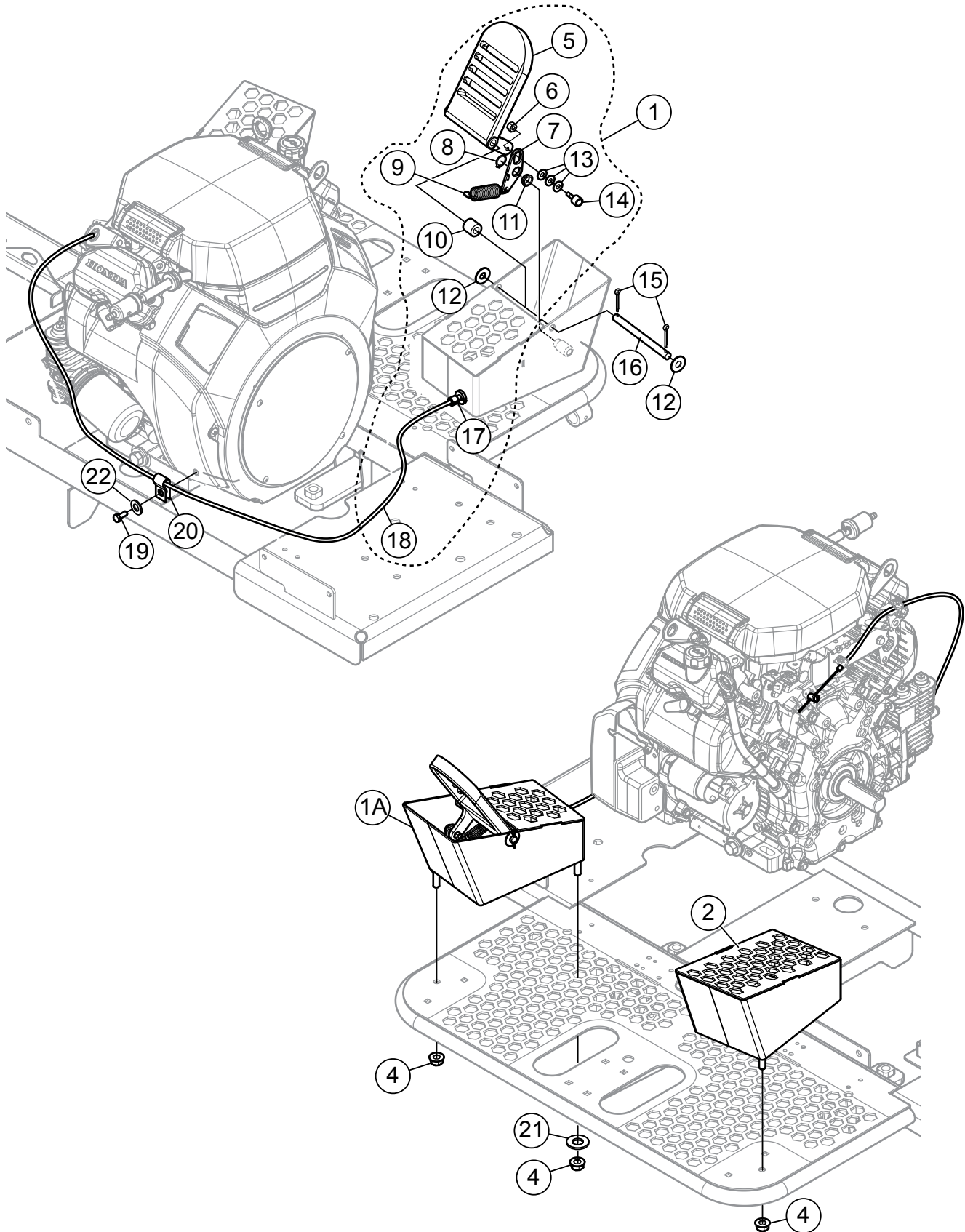
SPIDER ASSY. (RIGHT)



SPIDER ASSY. (RIGHT)

<u>NO.</u>	<u>PART NO.</u>	<u>PART NAME</u>	<u>QTY.</u>	<u>REMARKS</u>
1	10968	THRUST COLLAR ASSEMBLY, JB SEALED	1.....	INCLUDES ITEMS W/@
2@	12778	BEARING, THRUST 6013-2RS	1	
3@	12208	WEAR RING, SEALED THRUST	1	
4@	39A1796	CASTING, THRUST COLLAR J & B	1	
5@	1471	BUSHING, BRONZE	1	
6@	1154 A	PLATE, WEAR	1	
7	20370	SPIDER ASSEMBLY, 4BLD RIGHT SIDE	1.....	INCLUDES ITEMS W/%
8%	22647	SPIDER HUB ASSEMBLY	1	
9%	1162 A	CAP, GREASE ZERK, #2 YELLOW	4	
10%	A5978	SCREW, ARM RETAINING	4	
11%	1875	WASHER, INT. SHKP, 3/8	4	
12%	11602	SCREW, SHS 3/8-16 X .25"	4	
13%	1456	NUT, HEX FINISH 3/8-16	1	
14%	12097	SCREW, SQHS 3/8-16 x 1-3/4" CONE GRD 8	1	
15%	1317	SPRING, RS J/B ARM RETURN	4	
16%	1157 A	BUSHING, INSERT	4	
17%	0164 B	SCREW, HHC ROUNDED	4	
18%	1876	NUT, HEX JAM 3/8-16 CLASS 2B	4	
19%	0166 A	WASHER, LOCK, 3/8 MED.	4	
20%	1163	LEVER, TROWEL ARM, RIGHT HAND	4	
21%	4164	PIN, ROLL 5/16 X 1-3/4",NO PLATE	4	
22%	20408	ARM, TROWEL BLADE JWN RIGHT	4	
23%	9193	KEY, SQ RN .312x3.00	1	

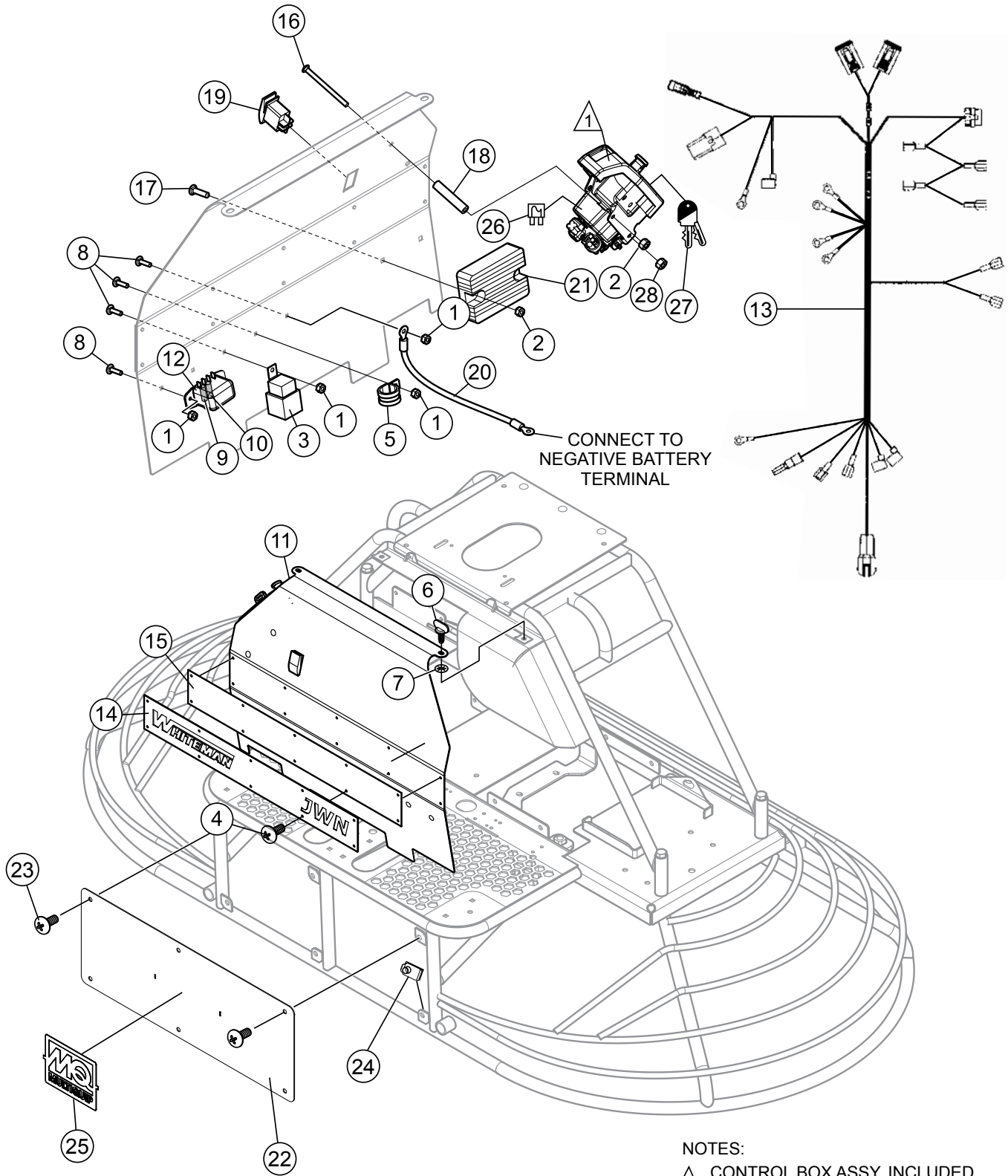
FOOT PEDAL/THROTTLE ASSY.



FOOT PEDAL/THROTTLE ASSY.

<u>NO.</u>	<u>PART NO.</u>	<u>PART NAME</u>	<u>QTY.</u>	<u>REMARKS</u>
1	23469	ACCELERATOR PEDAL ASSEMBLY	1.....	INCLUDES ITEMS W/@
1A@	23592	FOOT RISER, ACCELERATOR SIDE	1	
2	23568	FOOT RISER	1	
4	49071	NUT, FLANGED 5/16-18 SERRATED PLTD	4	
5@	23591	PEDAL, ACCELERATOR	1	
6@	10019	NUT, NYLOC 10-32	1	
7@	23473	LINKAGE, ACCELERATOR PEDAL	1	
8@	1737	RING, SNAP, TRUARC 5100-50	1	
9@	37527	SPRING, EXT. .625OD X 2.5L X .053 M WIRE	1	
10@	23596	SPACER, PEDAL	1	
11@	38368	BUSHING, SPLIT FLANGED, .5 ID	1	
12@	10136	WASHER, FLAT SAE 3/8	2	
13@	2203	WASHER, FLAT, #10	3	
14@	460018	CAM ROLLER, SAW FNR CONTROL	1	
15@	6014 B	PIN, COTTER 3/32D X 1.00"	2	
16@	2772	PIN, ACCELERATOR PEDAL	1	
17@	21824	ADJUSTER W/ THUMB WHEEL	1	
18@	23518	CABLE, THROTTLE JWN	1	
19	12464	SCREW, HHC M6-1.0 X 16MM	1	
20	8126	CLAMP, HOSE SUPPORT 1/2" SMALL	1	
21	933213	WASHER, FENDER, 5/16 X 1" ZINC	4	

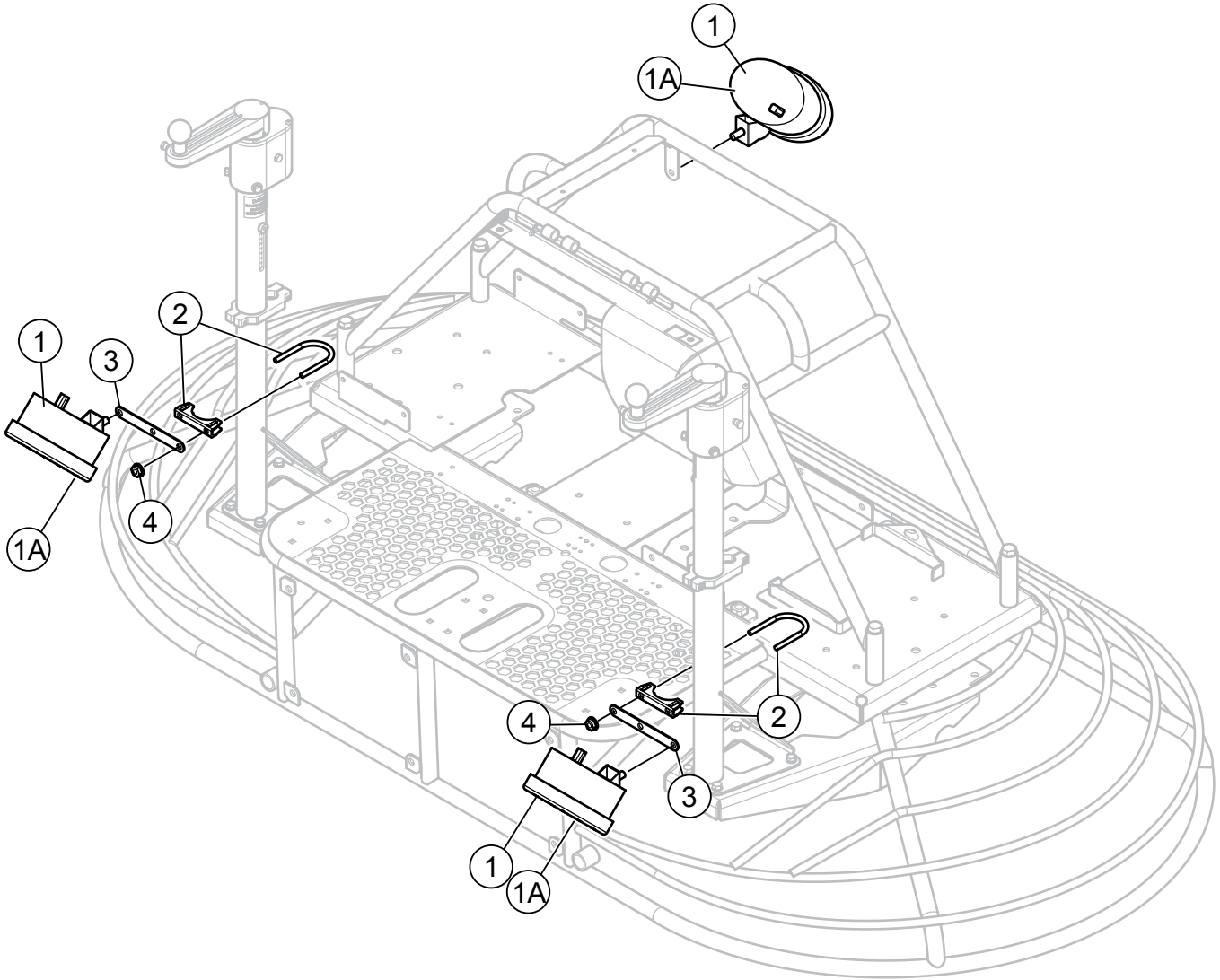
CONTROL PANEL ASSY.



CONTROL PANEL ASSY.

<u>NO.</u>	<u>PART NO.</u>	<u>PART NAME</u>	<u>QTY.</u>	<u>REMARKS</u>
1	10019	NUT, NYLOC 10-32	7	
2	10024	NUT, NYLOC 1/4-20	2	
3	12017	RELAY, KILL	1	
4	19847	RIVET, POP, ALUM, 3/16x1/8-1/4 GRIP	10	
5	21574	CLAMP, LOOP CUSHIONED #16 0.25 HOLE	1	
6	21893	SCREW, FAST LEAD	2	
7	21986	WASHER, FAST LEAD-STAINLESS	2	
8	22131	BOLT, CARRIAGE 10-32 X 3/4 ZINC	5	
9	23284-030	FUSE, 3 AMP	1	
10	23284-150	FUSE, 15 AMP	1	
11	23526	PANEL, FRONT, JWN	1	
12	23534	FUSE BLOCK, 4 FUSE	1	
13	23540	HARNES, MAIN PANEL, JWN	1	
14	23549	PANEL, "WHITEMAN", JWN	1	
15	23577	PLATE, TRIM BACKING, JWN	1	
16	23595	BOLT, CARRIAGE 1/4-20 X 3-1/2"	2	
17	23620	BOLT, CARRIAGE 1/4-20 x 1"	2	
18	23622	SPACER, ENG CONTOL PANEL	2	
19	406000	SWITCH, ROCKER, CH# M-58031-01	1	
20	23605	WIRE, CONTROL PANEL GROUND	1	
21	31750Z2E803	REGULATOR 20 AMP, RECTIFIER ASSY.	1	
22	23612	PLATE, FRONT PANEL (LOWER)	1	
23	12287	SCREW, THP 1/4-20 X 3/4 SS	6	
24	11534	NUT, "U" TYPE"	6	
25	23235	BADGE, FOOT PLATFORM	1	
26	982004300	FUSE, 30A	1	
27	35110ZV5V50	KEY, IGNITION	2	

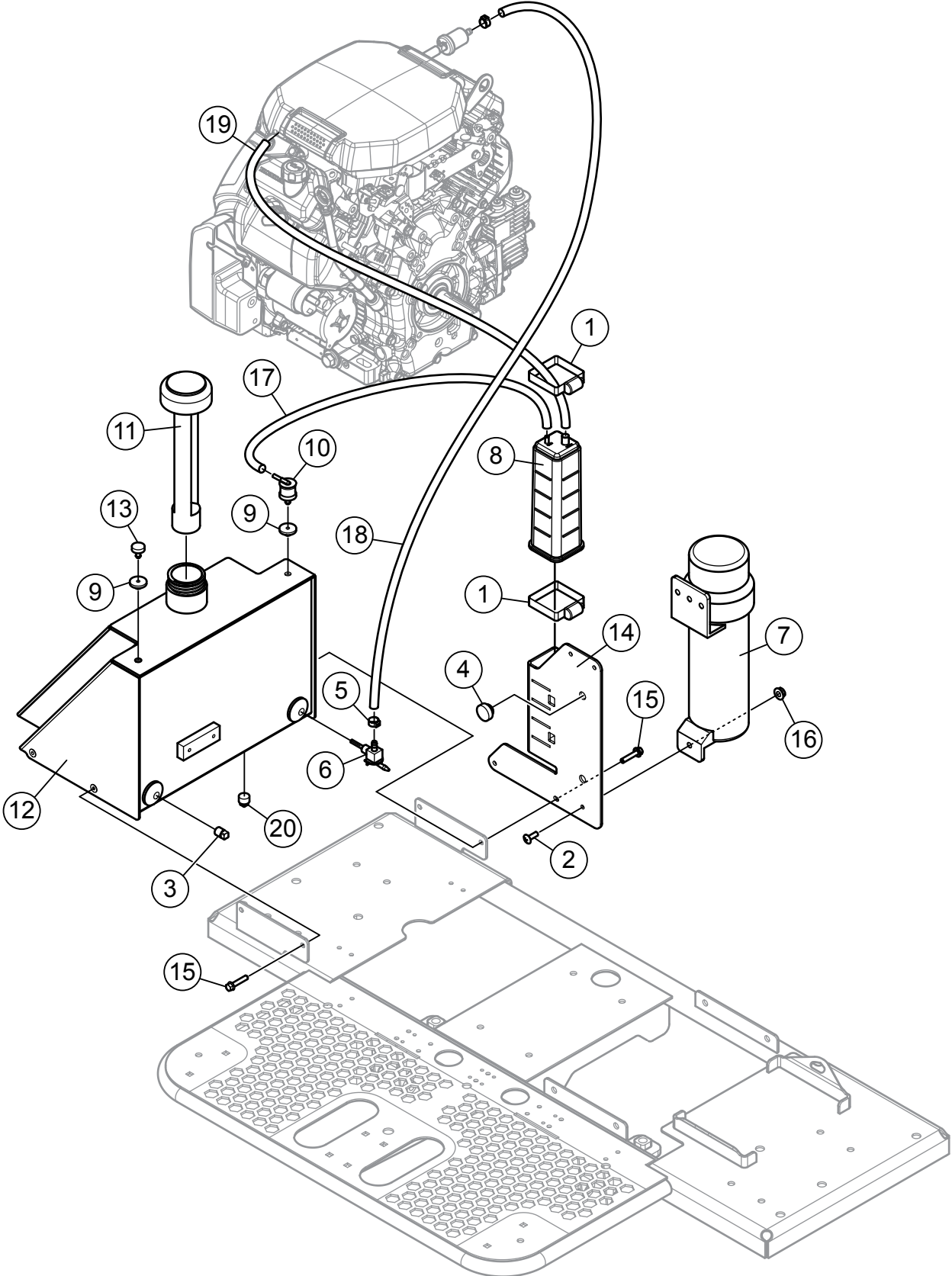
LIGHTS ASSY.



LIGHTS ASSY.

<u>NO.</u>	<u>PART NO.</u>	<u>PART NAME</u>	<u>QTY.</u>	<u>REMARKS</u>
1	22347	LIGHT, HELLA BOTTOM MOUNT OVAL	3	
1A	32640	LIGHT, LED 20W, OVAL	3	
2	2534	CLAMP, 1-3/4" MUFFLER.....	2.....	INCLUDES ITEMS W/@
3	2531	BRACKET, LIGHT SIDE	2	
4@		NUT	4	

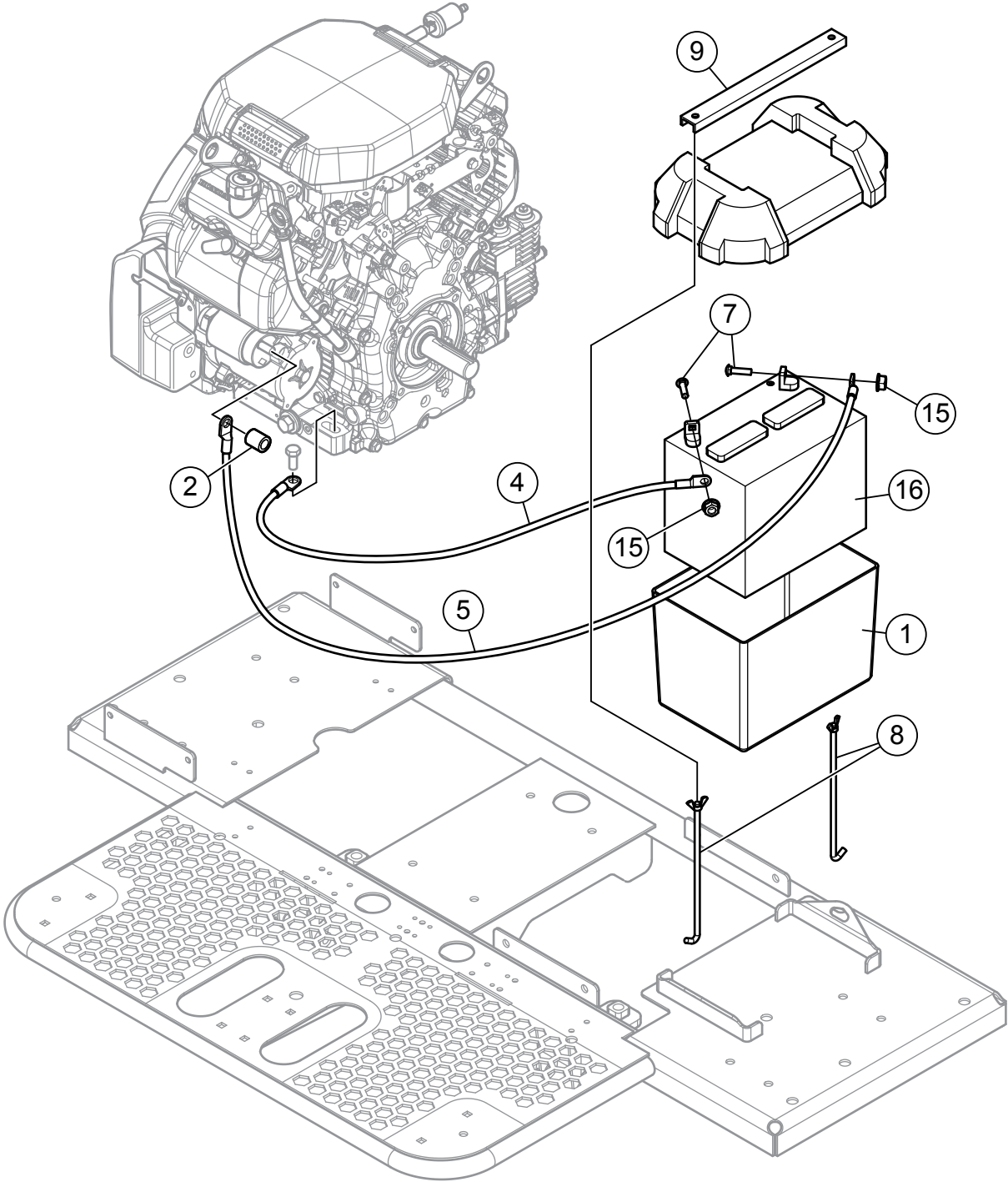
FUEL ASSY.



FUEL ASSY.

<u>NO.</u>	<u>PART NO.</u>	<u>PART NAME</u>	<u>QTY.</u>	<u>REMARKS</u>
1	12277	CLAMP, HOSE WORM, #36, 1 13/16 - 2 3/4	2	
2	12287	SCREW, THP 1/4-20 X 3/4" SS	3	
3	16185	FITTING, PLUG 1/4MP SQ HD	1	
4	21597	BUMPER,STEM 1.0"D x .5S x .31	2	
5	22067	CLAMP, STEPLESS EAR 1/4" HOSE #138	2	
6	22081	SHUTOFF VALVE, 1/4 NPT, 1/4 HOSE	1	
7	23297	MANUAL HOLDER, PICTOGRAPH SAE J232	1	
8	23505	CANISTER, CARBON, 390CC/EPA	1	
9	23507	GROMMET, ROLL OVER VALVE/EPA	2	
10	12007	FITTING, 90° 4SBARB X 6-4SBARB THRU TANK	1	
11	23514	CAP, RATCHET W/GAUGE "GASOLINE" (10.5")/EPA	1	
12	23556	FUEL TANK, ASSEMBLY	1	
13	23557	PLUG, FUEL TANK VENT	1	
14	23593	BRACKET, CHARCOAL CANISTER	1	
15	23619	SCREW, HHFS 1/4-20 X 1-1/4", ZP	4	
16	49070	NUT, FLANGED 1/4-20 SERRATED PLTD	3	
17	60004	HOSE,FUEL .187 D 50PSI LOW PERM CARB2006/EPA	1.0 FT	
18	60013	HOSE,FUEL .250 D 50PSI LOW PERM CARB2006/EPA	2.0 FT	
19	60028	HOSE,FUEL .312 D 50PSI LOW PERM CARB2006/EPA	2.0 FT	
20	911329	FITTING, PLUG 3/8MP MAGNET	1	

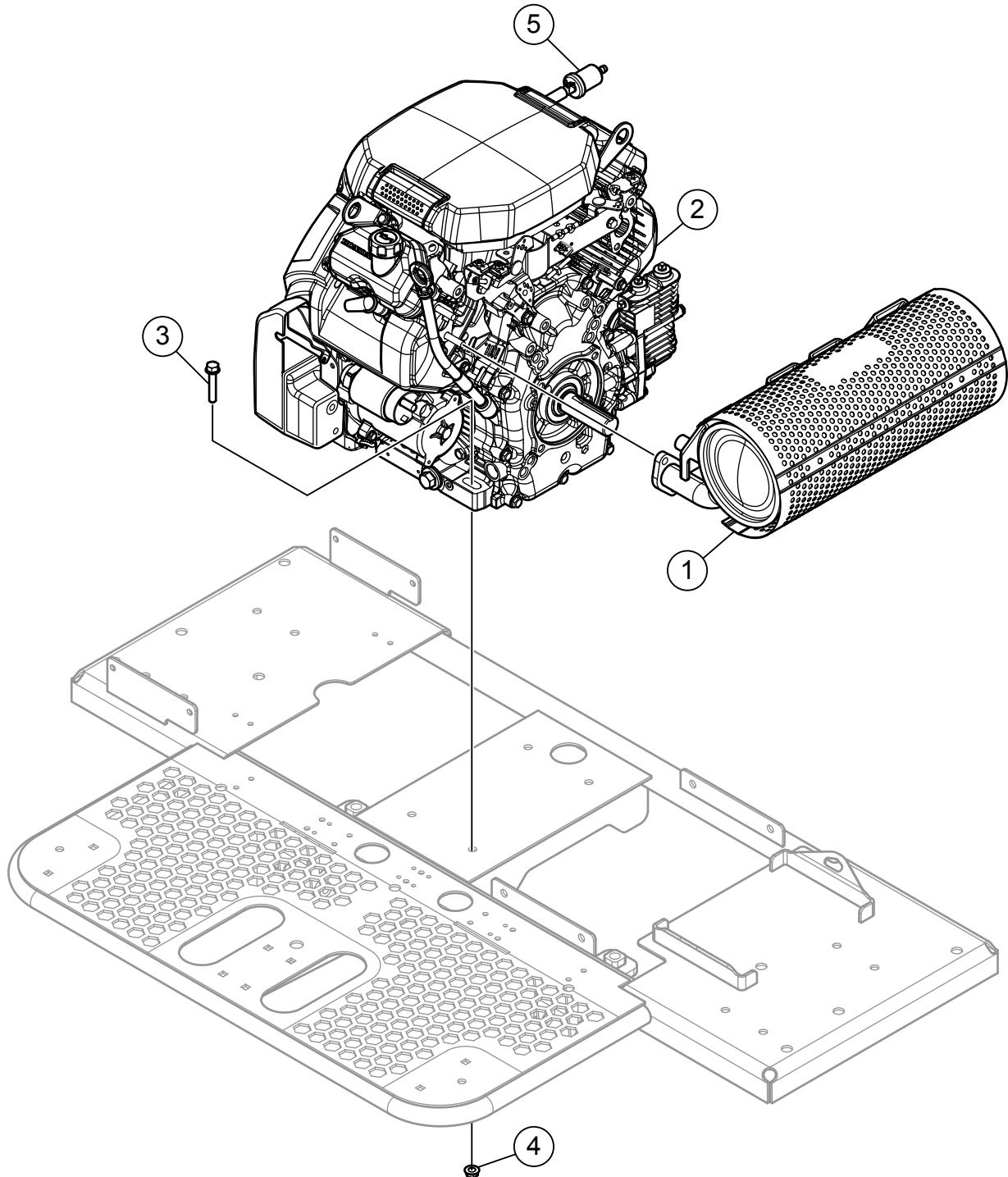
BATTERY ASSY.



BATTERY ASSY.

<u>NO.</u>	<u>PART NO.</u>	<u>PART NAME</u>	<u>QTY.</u>	<u>REMARKS</u>
1	2449	BATTERY BOX, GR. U1	1	
2	2762	BOOT, TERMINAL	1	
4	12022	CABLE, BATTERY NEG 4GA X 23	1	
5	12675	CABLE, BATTERY POS 4GA X 36"	1	
7	19824	BOLT, CARRIAGE 5/16-16 x 3/4	2	
8	20194	KIT, BATTERY HOLD DOWN HARDWARE	1	
9	20356	BRKT, BATTERY HOLD-DOWN	1	
15	49071	NUT, FLANGED 5/16-18 SERRATED PLTD	2	
16	4671	BATTERY, 12V GROUP U1 WET CELL	1	

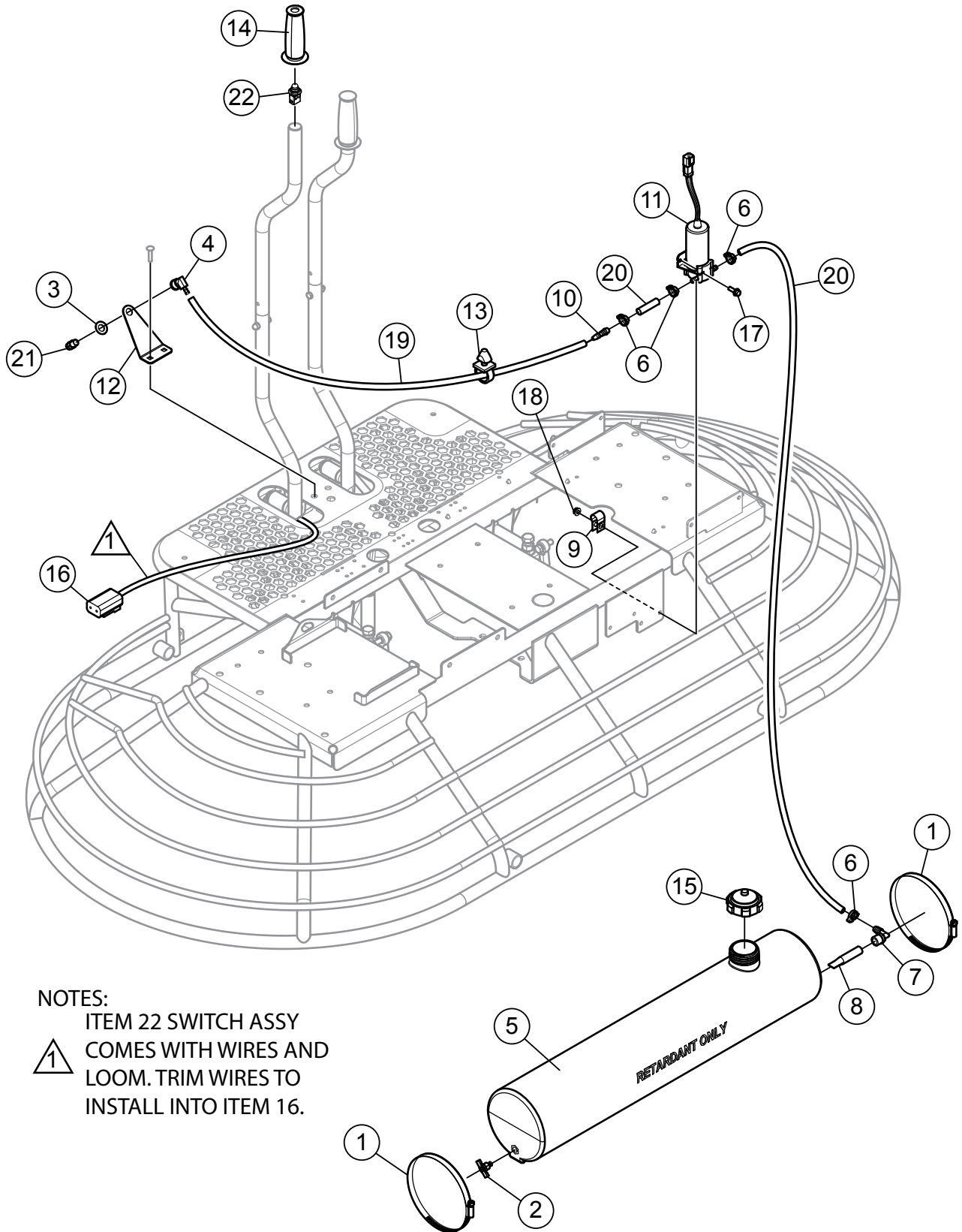
ENGINE AND MUFFLER ASSY.



ENGINE AND MUFFLER ASSY.

<u>NO.</u>	<u>PART NO.</u>	<u>PART NAME</u>	<u>QTY.</u>	<u>REMARKS</u>
1	22610	MUFFLER, RIGHT DISCHARGE, HONDA	1	
2	22609	ENGINE, HONDA GX690RTAF-R280, 24HP	1	
3	22174	SCREW, HHFS 5/16-18 x 1.75" GR5	4	
4	49071	NUT, FLANGED 5/16-18 SERRATED PLTD	4	
5	16910Z6L003	FILTER, FUEL	1	

SPRAY ASSY.



NOTES:

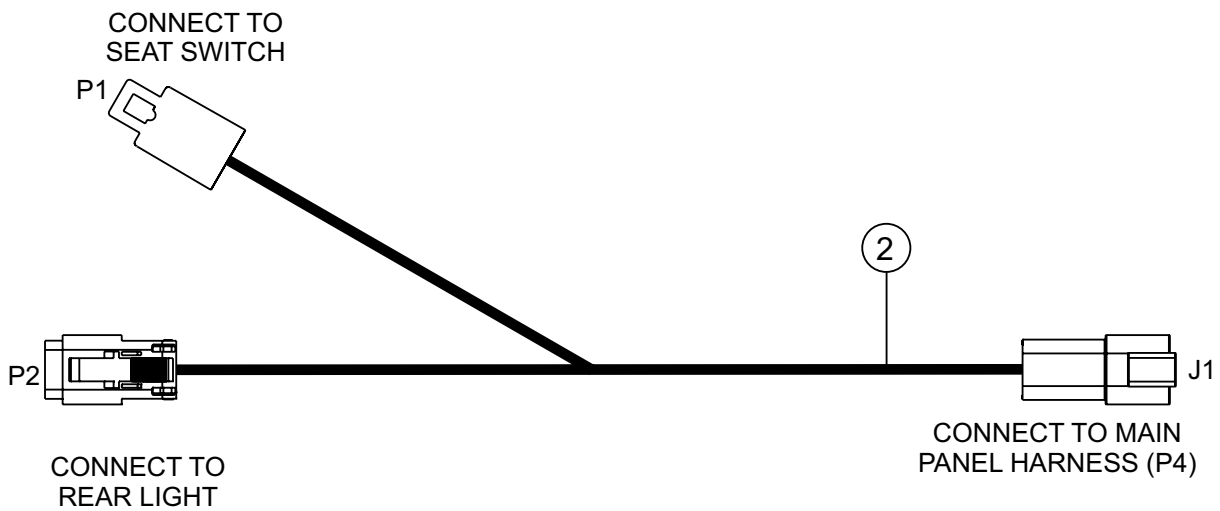
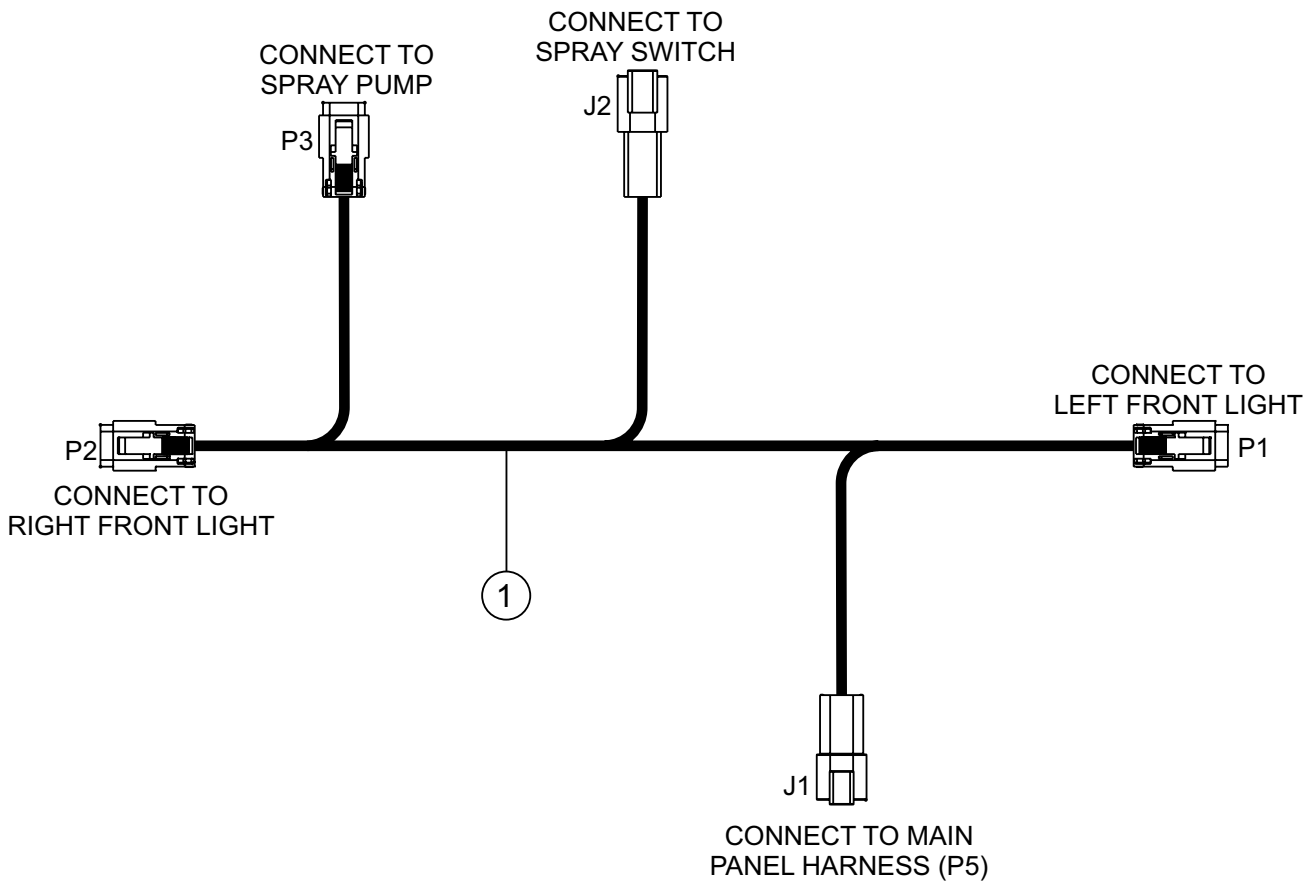


ITEM 22 SWITCH ASSY
COMES WITH WIRES AND
LOOM. TRIM WIRES TO
INSTALL INTO ITEM 16.

SPRAY ASSY.

<u>NO.</u>	<u>PART NO.</u>	<u>PART NAME</u>	<u>QTY.</u>	<u>REMARKS</u>
1	2398	CLAMP, HOSE WORM #96 4.75" TO 6.50"	2	
2	2478	FITTING, PETCOCK RAD DRAIN 1/4MP	1	
3	2898	WASHER, BONDED NEOPRENE 1" X 1/2"	1	
4	2912	FITTING, BRASS 90 4BARB-1/4FP	1	
5	2916	WATER TANK	1	
6	2918	CLAMP, HOSE- PLASTIC .475 - .536	4	
7	2925	FITTING, PLASTIC 90 6BARB 3/8 MP	1	
8	2926	SCREEN, STRAINER	1	
9	8125	CLAMP,HOSE 5/8"	1	
10	10022	FITTING, PLASTIC 6 BARB-4 BARB	1	
11	23434	PUMP, SPRAY W\CONNECTOR	1	
12	23576	MOUNTING BRACKET, SPRAY NOZZLE	1	
13	23610	CLIP, PUSH IN, .375 ID	6	
14	23611	GRIP, HANDLE W\ 5/8" HOLE	1	W/SPRAYOPTIONONLY
15	2108	CAP, SPRAY TANK	1	
16	37403	CONNECTOR KIT, DEUTSCH DT06-2S	1	
17	49048	SCREW, HHFS 1/4-20 x 3/4" GR5	2	
18	49070	NUT, FLANGED 1/4-20 SERRATED PLTD	2	
19	60001	HOSE, PVC CLEAR .250 DIA. x .375 DIA., 4.5'	5	1PC=1FT
20	60002	HOSE, PVC CLEAR .375 DIA. x .50 DIA., 1'	1	1PC=1FT
21	392292	NOZZLE, SPRAY	1	
22	11430	SWITCH ASSY. W/WIRES AND LOOM	1	

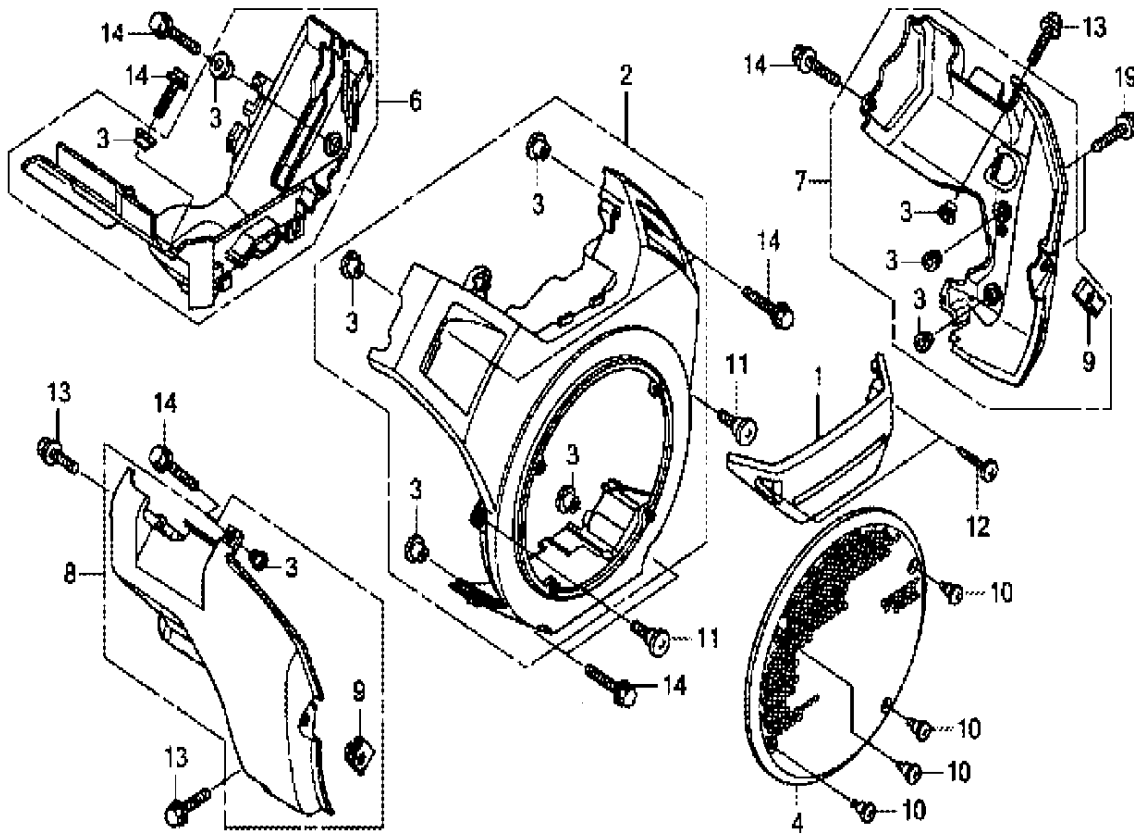
HARNES ASSY.



HARNES ASSY.

<u>NO.</u>	<u>PART NO.</u>	<u>PART NAME</u>	<u>QTY.</u>	<u>REMARKS</u>
1	23542	HARNES, MAIN FRAME	1	
2	23541	HARNES, SEAT FRAME	1	

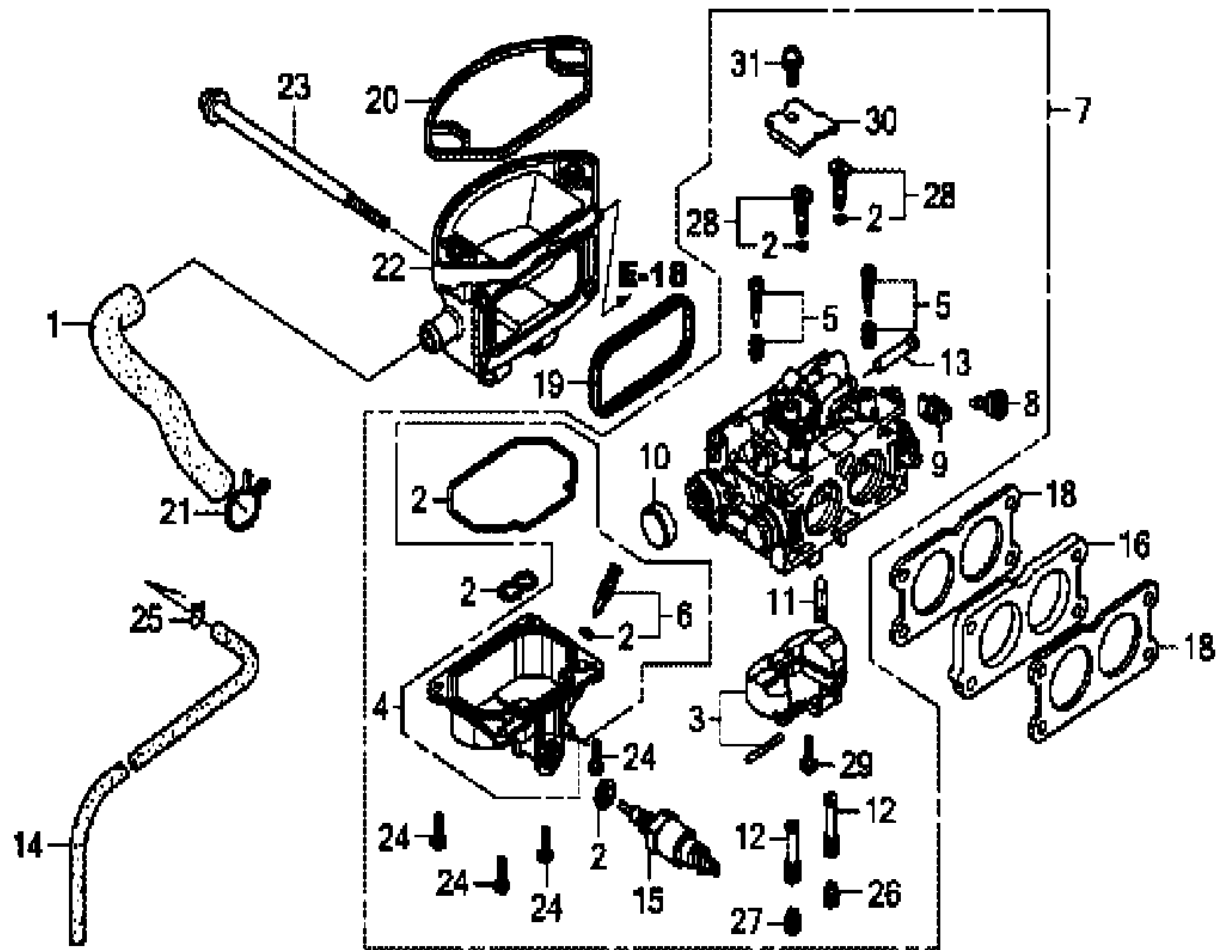
HONDA GX690RTAF — FAN COVER ASSY.



HONDA GX690RTAF — FAN COVER ASSY.

<u>NO.</u>	<u>PART NO.</u>	<u>PART NAME</u>	<u>QTY.</u>	<u>REMARKS</u>
1	16715Z6L000	COVER, FUEL PUMP	1	
2	19610Z6L000ZA	COVER COMP., FAN *R280*	1	
3	19619Z0A300	COLLAR, FAN COVER	10	
4	19621Z6L000	PROTECTOR, FAN COVER	1	
6	19631Z6L000	SHROUD, UPPER	1	
7	19641Z6L000	SHROUD, R. LOWER	1	
8	19642Z6L000	SHROUD, L. LOWER	1	
9	84601HA7670	NUT, FENDER SETTING	2	
10	90005Z6L000	SCREW, SPECIAL, 4X10	4	
11	90380GM9740	SCREW, SPECIAL, 6X15	2	
12	9391325580	SCREW, TAPPING, 5X20	2	
13	957010601600	BOLT, FLANGE, 6X16	3	
14	957010602000	BOLT, FLANGE, 6X20	8	
19	957010602000	BOLT, FLANGE, 6X20	2	

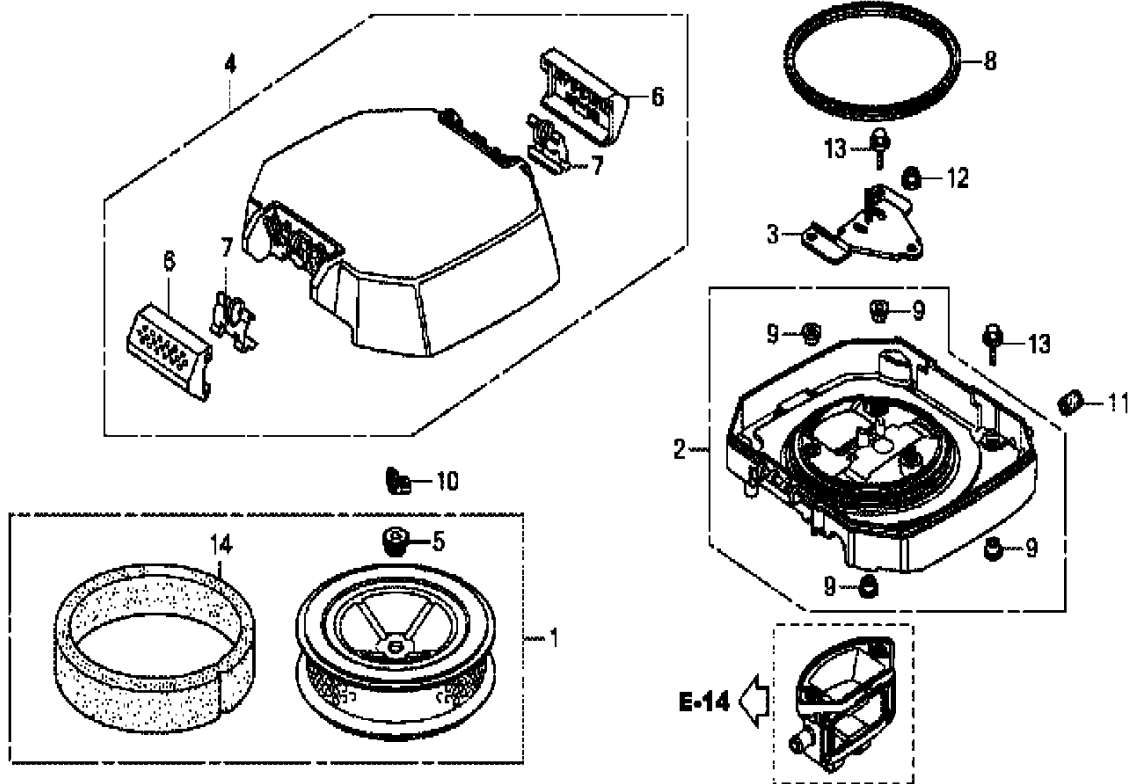
HONDA GX690RTAF — CARBURETOR ASSY.



HONDA GX690RTAF — CARBURETOR ASSY.

<u>NO.</u>	<u>PART NO.</u>	<u>PART NAME</u>	<u>QTY.</u>	<u>REMARKS</u>
1	15721Z6L000	TUBE, BREATHER	1	
2	16010Z6L003	GASKET SET	1	
3	16013Z6L003	FLOAT SET	1	
4	16015Z6L003	CHAMBER SET, FLOAT	1	
5	16016Z6L003	SCREW SET	2	
6	16024124760	SCREW SET, DRAIN	1	
7	16100Z6L003	CARBURETOR ASSY. (BK05A A)	1	
8	16124ZE0005	SCREW, THROTTLE STOP	1	
9	16126Z6L003	ARM, THROTTLE LINKAGE	1	
10	16148141881	CAP, CHOKE DUST	1	
11	16155Z6L003	VALVE COMP., FLOAT	1	
12	16166Z6L003	NOZZLE, MAIN	2	
13	16176Z2GD51	SCREEN, FUEL STRAINER	1	
14	16198Z6L000	TUBE, DRAIN	1	
15	16200Z6L003	VALVE ASSY., SOLENOID	1	
16	16211Z6L000	INSULATOR, CARBURETOR	1	
18	16221Z6L000	PACKING, CARBURETOR	2	
19	17228Z6L000	PACKING, AIR CLEANER	1	
20	17229Z6L000	SEAL, AIR CLEANER CASE	1	
21	17369KB4670	CLIP, BREATHER TUBE	1	
22	17410Z6L000	ELBOW COMP., AIR CLEANER	1	
23	90003Z6L000	BOLT, FLANGE, 6X106	4	
24	93500040121H	SCREW, PAN, 4X12	4	
25	9500202080	CLIP, TUBE (B8)	1	
26	99101ZH81050	JET, MAIN, #105	1	
26	99101ZH81100	JET, MAIN, #110	1	
26	99101ZH81180	JET, MAIN, #118	1	
27	99101ZH81050	JET, MAIN, #105	1	
27	99101ZH81100	JET, MAIN, #110	1	
27	99101ZH81180	JET, MAIN, #118	1	
28	99204ZE20450	JET SET, PILOT, #45	2	
29	16081Z6L003	SCREW, FLOAT	1	
30	16113Z6L003	PLATE	1	
31	938920501018	SCREW-WASHER, 5X10	1	

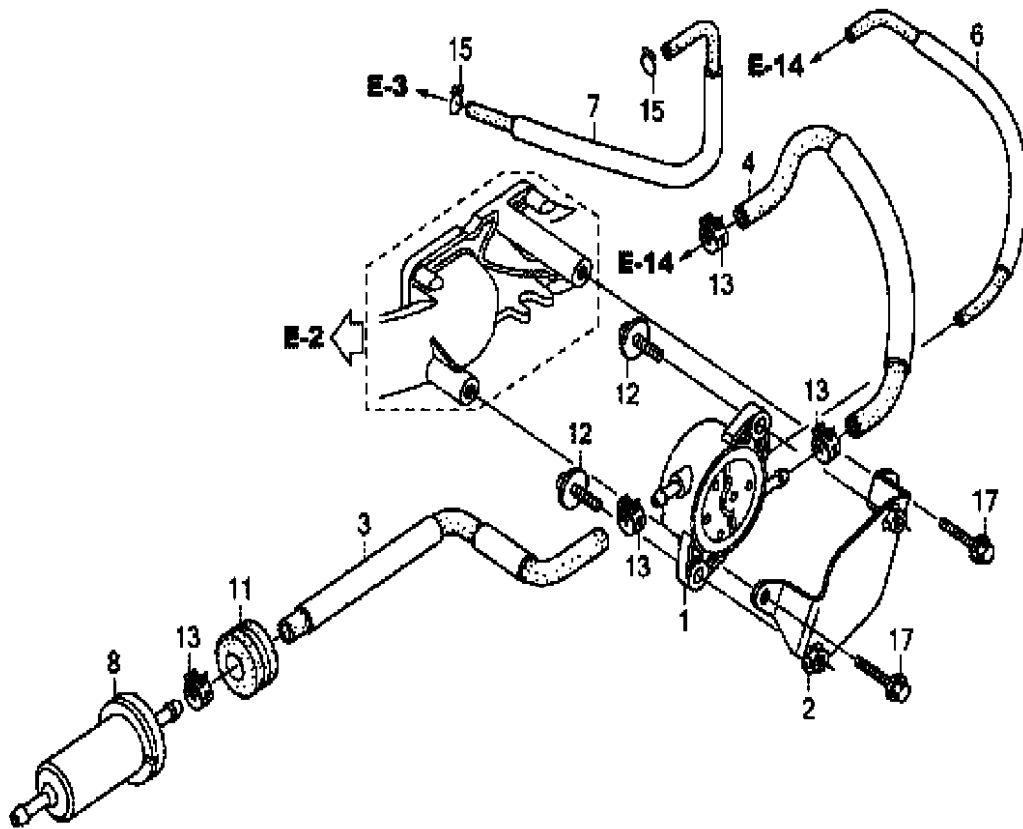
HONDA GX690RTAF — AIR CLEANER ASSY.



HONDA GX690RTAF — AIR CLEANER ASSY.

<u>NO.</u>	<u>PART NO.</u>	<u>PART NAME</u>	<u>QTY.</u>	<u>REMARKS</u>
1	17210Z6L010	ELEMENT COMP., AIR CLEANER	1	
2	17220Z6L000	CASE COMP., AIR CLEANER	1	
3	17223Z6L000	STAY COMP., AIR CLEANER ELEMENT	1	
4	17230Z6L000	COVER COMP., AIR CLEANER	1	
5	17232Z2E000	GROMMET, AIR CLEANER	1	
6	17235Z6L300	KNOB, AIR CLEANER COVER	2	
7	17236Z6L300	SPRING, AIR CLEANER CASE COVER	2	
8	17417Z6L000	PACKING, AIR CLEANER CASE	1	
9	19619Z0A300	COLLAR, FAN COVER	4	
10	90325044000	NUT, TOOL BOX SETTING	1	
11	90802Z6L000	CAP, SEALING	1	
12	9405006000	NUT, FLANGE, 6MM	1	
13	957010601800	BOLT, FLANGE, 6X18	4	
14	17218Z6L000	FILTER, OUTER	1	

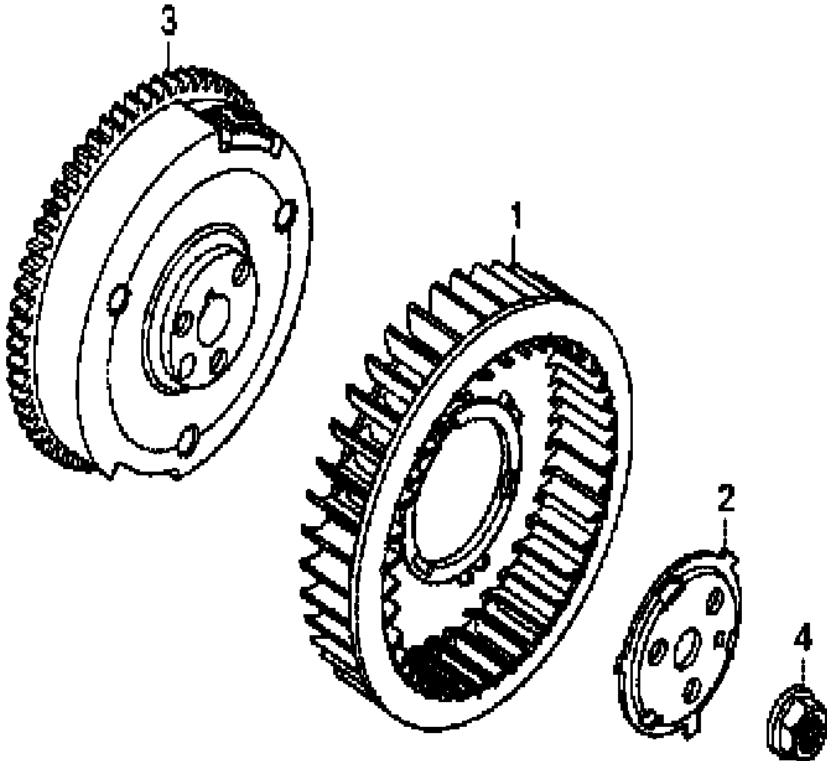
HONDA GX690RTAF — FUEL PUMP ASSY.



HONDA GX690RTAF — FUEL PUMP ASSY.

<u>NO.</u>	<u>PART NO.</u>	<u>PART NAME</u>	<u>QTY.</u>	<u>REMARKS</u>
1	16700Z6L003	PUMP ASSY., FUEL	1	
2	16711Z6L000	STAY, FUEL PUMP	1	
3	16850Z6L000	TUBE COMP. A, FUEL	1	
4	16860Z6L000	TUBE COMP. B, FUEL	1	
6	16870Z6L000	TUBE, PURGE	1	
7	16882Z6L000	TUBE, DIAPHRAGM	1	
8	16910Z6L003	STRAINER COMP., FUEL	1	
11	80152958680	RUBBER, RR. FENDER	1	
12	938940601600	SCREWWASHER, 6X16	2	
13	950024100008	CLAMP, TUBE (D10)	4	
15	9500270000	CLIP, TUBE (C11)	2	
17	957010601400	BOLT, FLANGE, 6X14	2	

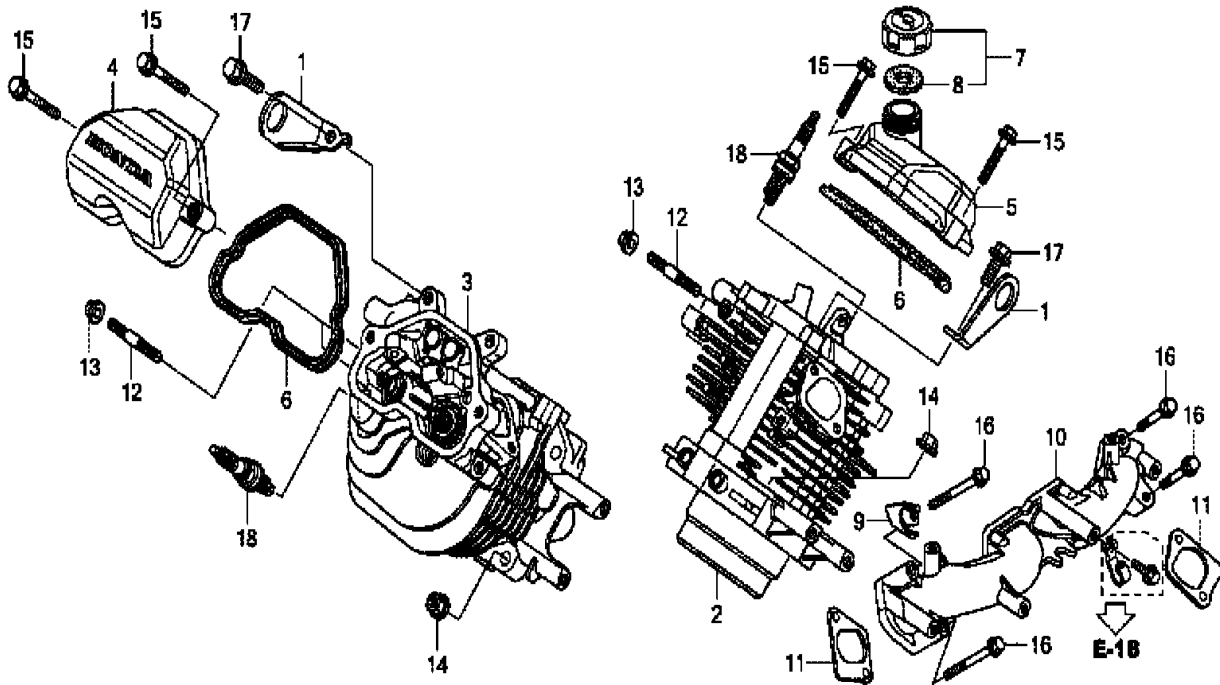
HONDA GX690RTAF — FLYWHEEL ASSY.



HONDA GX690RTAF — FLYWHEEL ASSY.

<u>NO.</u>	<u>PART NO.</u>	<u>PART NAME</u>	<u>QTY.</u>	<u>REMARKS</u>
1	19511Z6L000	FAN, COOLING	1	
2	19513Z6L000	PLATE, COOLING FAN SETTING	1	
3	31110Z6L003	FLYWHEEL COMP.	1	
4	90201Z6L000	NUT, SPECIAL (20MM)	1	

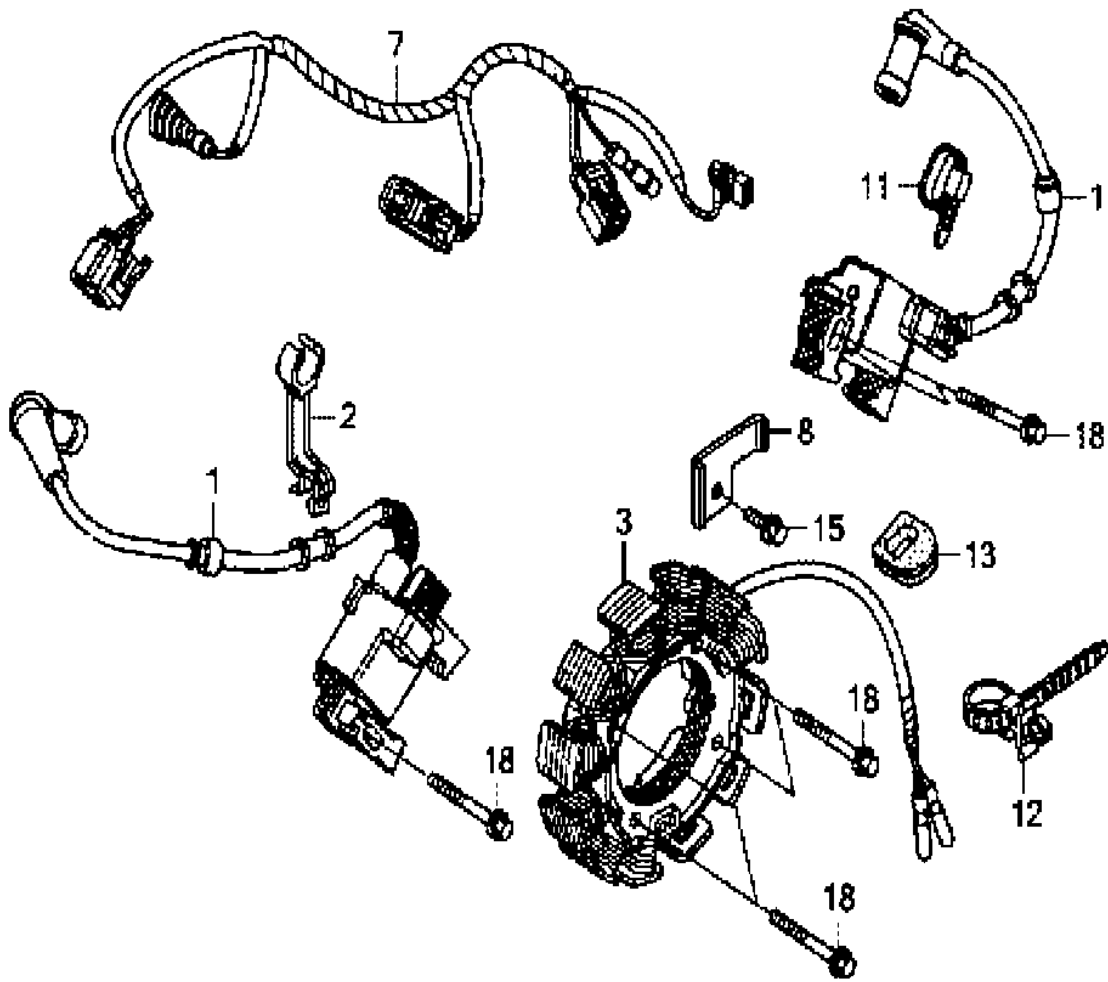
HONDA GX690RTAF — CYLINDER HEAD ASSY.



HONDA GX690RTAF — CYLINDER HEAD ASSY.

<u>NO.</u>	<u>PART NO.</u>	<u>PART NAME</u>	<u>QTY.</u>	<u>REMARKS</u>
1	11911Z6L000	HANGER, ENGINE	2	
2	12110Z6L000	HEAD COMP., CYLINDER (#1)	1	
3	12120Z6L000	HEAD COMP., CYLINDER (#2)	1	
4	12311Z6L000	COVER, CYLINDER HEAD	1	
5	12311Z6L800	COVER, CYLINDER HEAD	1	
6	12312Z6L000	PACKING, HEAD COVER	2	
7	15600Z6L000	CAP ASSY., OIL FILLER	1	
8	15625Z6L000	PACKING, OIL FILLER CAP	1	
9	16722Z6L000	STAY, FUEL TUBE GROMMET	1	
10	17101Z6L000	MANIFOLD, INTAKE	1	
11	17151Z6L000	PACKING, INTAKE MANIFOLD	2	
12	92900080220E	BOLT, STUD, 8X22	4	
13	9405008000	NUT, FLANGE, 8MM	4	
14	9405010000	NUT, FLANGE, 10MM	8	
15	957010603000	BOLT, FLANGE, 6X30	4	
16	957010605000	BOLT, FLANGE, 6X50	4	
17	957010801600	BOLT, FLANGE, 8X16	2	
18	980795587G	PLUG, SPARK (ZFR5F)	2	

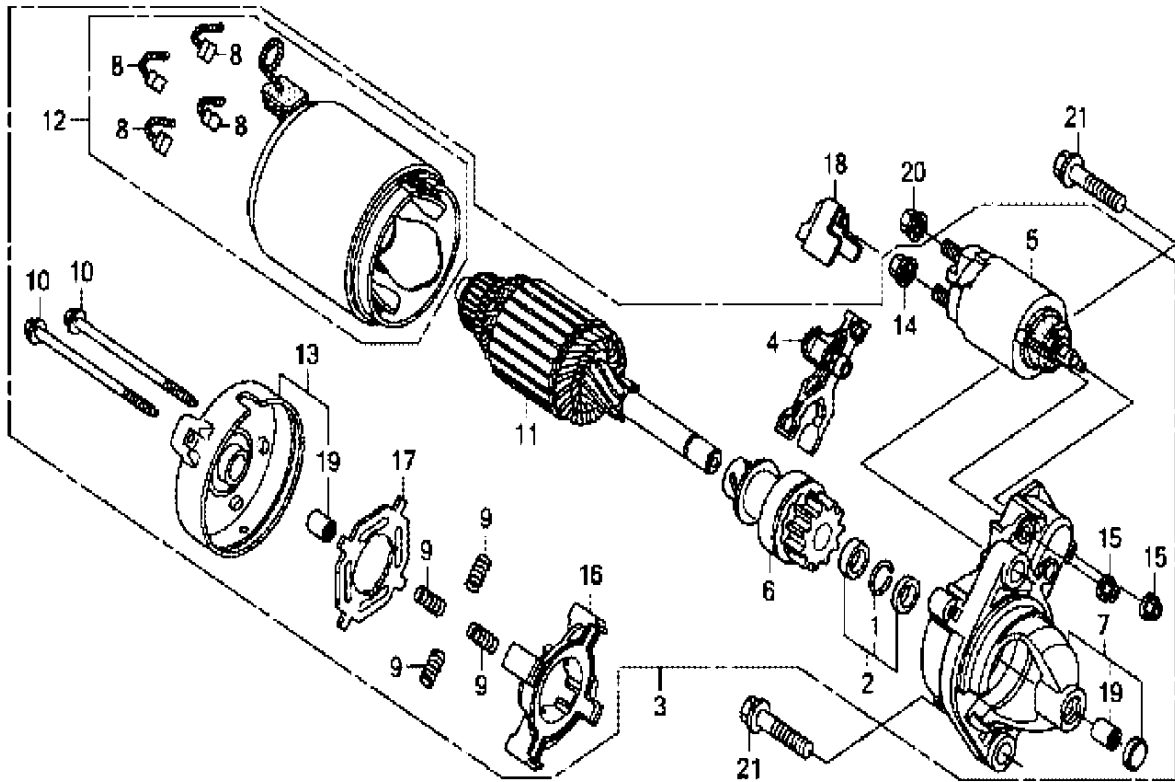
HONDA GX690RTAF — IGNITION COIL ASSY.



HONDA GX690RTAF — IGNITION COIL ASSY.

<u>NO.</u>	<u>PART NO.</u>	<u>PART NAME</u>	<u>QTY.</u>	<u>REMARKS</u>
1	30500Z6L003	COIL ASSY., IGNITION	2	
2	30551Z6L000	CLAMP, HIGH TENSION CORD	1	
3	31630Z6L003	COIL ASSY., CHARGE (17A)	1	
7	32110Z6L840	HARNESS ASSY., ENGINE WIRE	1	
8	32114Z6L000	BRACKET, HARNESS	1	
11	90650KV6003	BAND, WIRE, 95MM	1	
13	91601Z6L000	GROMMET, CORD	1	
15	957010601200	BOLT, FLANGE, 6X12	1	
18	957010603200	BOLT, FLANGE, 6X32	8	

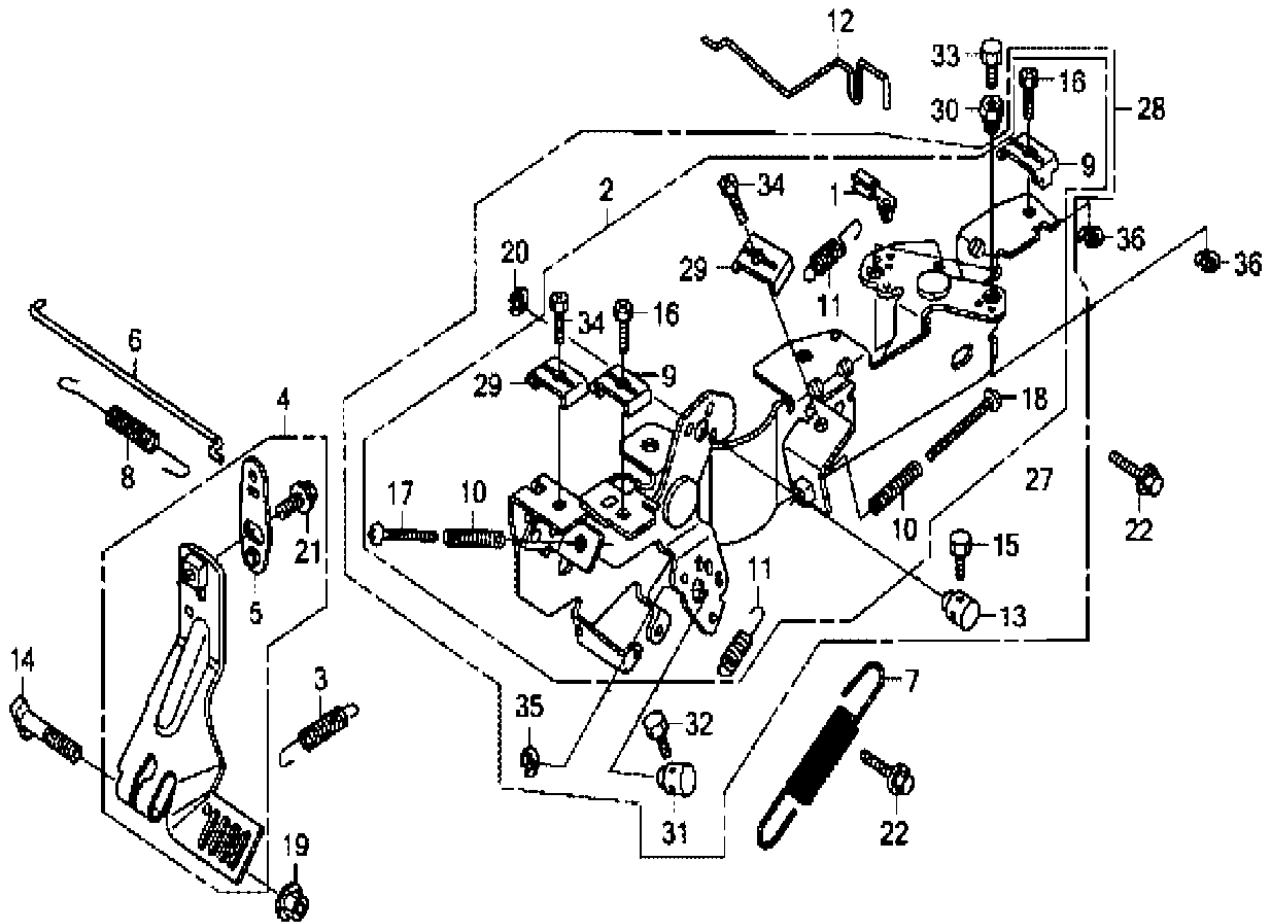
HONDA GX690RTAF — STARTER MOTOR ASSY.



HONDA GX690RTAF — STARTER MOTOR ASSY.

<u>NO.</u>	<u>PART NO.</u>	<u>PART NAME</u>	<u>QTY.</u>	<u>REMARKS</u>
1	30201PH9004	RING, SNAP (DENSO)	1	
2	30202PZ1003	COLLAR SET, CLUTCH STOP	1	
3	31200Z6L003	MOTOR ASSY., STARTER	1	
4	31203PH9004	LEVER, PINION DRIVE	1	
5	31204ZJ1H02	SWITCH ASSY., MAGNET	1	
6	31207ZE9H01	CLUTCH COMP., OVERRUNNING	1	
7	31208Z6L003	HOUSING COMP., DRIVE SIDE	1	
8	31211PH9004	BRUSH	4	
9	31212PH9004	SPRING, BRUSH	4	
10	31214PH9004	BOLT, THROUGH	2	
11	31217Z0A003	ARMATURE COMP.	1	
12	31218P64N01	YOKE COMP.	1	
13	31219Z6L003	FRAME COMP., COMMUTATOR END	1	
14	31220PH9004	NUT, HEX., 8MM	1	
15	31223PA0006	NUT, HEX.	2	
16	31231PH9004	HOLDER, BRUSH	1	
17	31233PH9004	INSULATOR, BRUSH HOLDER	1	
18	31234Z6L000	COVER, TERMINAL	1	
19	91002ZG4801	BEARING A	2	
20	9407008080	NUTWASHER, 8MM	1	
21	957011004000	BOLT, FLANGE, 10X40	2	

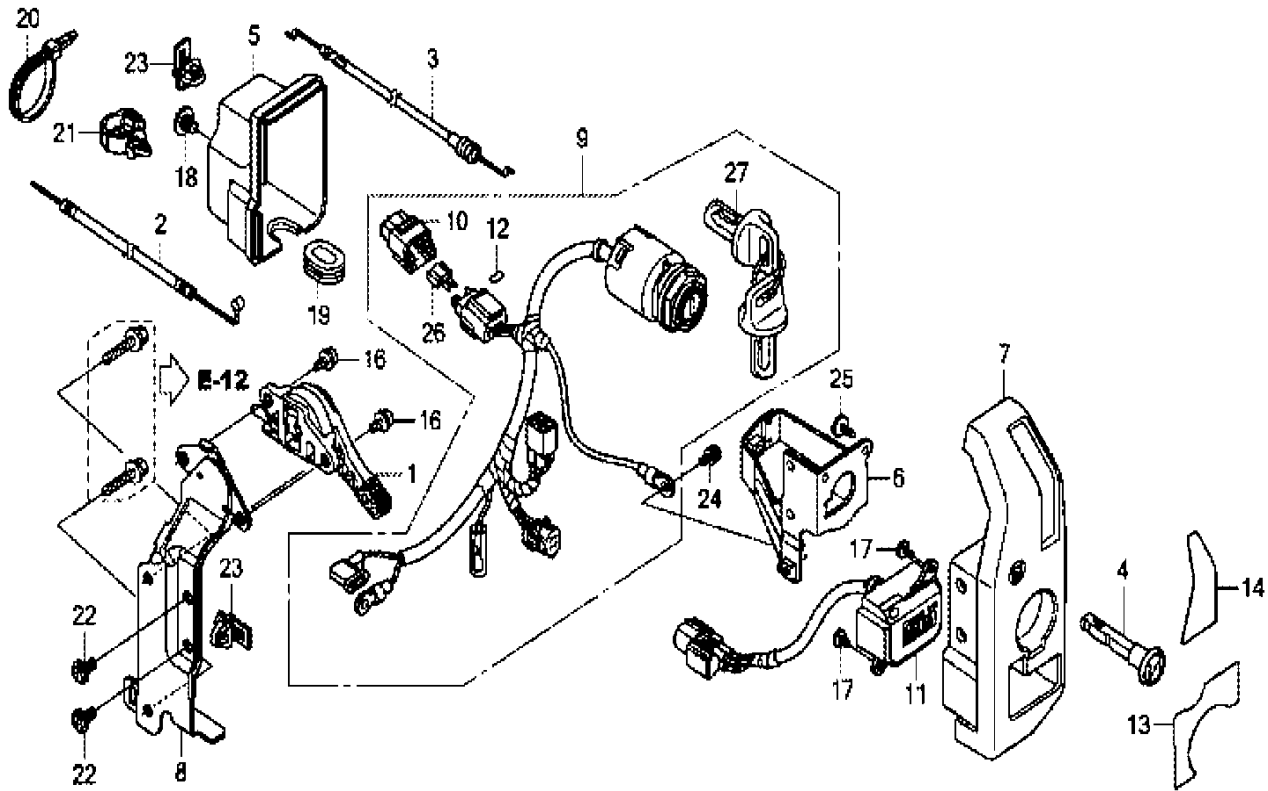
HONDA GX690RTAF — CONTROL ASSY.



HONDA GX690RTAF — CONTROL ASSY.

<u>NO.</u>	<u>PART NO.</u>	<u>PART NAME</u>	<u>QTY.</u>	<u>REMARKS</u>
1	16263Z0G010	JOINT, ROD	1	
2	16500Z6L000	CONTROL ASSY.....	1	S/N 1000441 AND BELOW
2	16500Z6L010	CONTROL ASSY.....	1	S/N 1000442 AND ABOVE
3	16534Z6L000	SPRING, STARTER	1	
4	16550Z6L000	ARM COMP., GOVERNOR	1	
5	16553Z6L000	ARM, SUB	1	
6	16555Z6L000	ROD, GOVERNOR	1	
7	16561Z6L000	SPRING, GOVERNOR	1	
8	16562Z6L000	SPRING, THROTTLE RETURN	1	
9	16576891000	HOLDER, CABLE	2	
10	16584883300	SPRING, CONTROL ADJUSTING	1	
10	16584883300	SPRING, CONTROL ADJUSTING	2	
11	16592ZJ1000	SPRING, CABLE RETURN	2	
12	16611Z6L000	ROD, CHOKE CONTROL	1	
13	16617Z6L000	HOLDER, CABLE	1	
14	90015ZE3790	BOLT, GOVERNOR ARM	1	
15	92301040060H	BOLT, RECESSED, 4X6	1	
16	92301050160A	BOLT, RECESSED, 5X16	2	
17	93500050300A	SCREW, PAN, 5X30	1	
18	93500050450A	SCREW, PAN, 5X45	1	
19	9405006000	NUT, FLANGE, 6MM	1	
20	9454005018	ERING, 5MM	1	
21	957010601000	BOLT, FLANGE, 6X10	1	
22	957010601400	BOLT, FLANGE, 6X14	2	
28	16500Z6L830	CONTROL ASSY.....	1	S/N 1001591 AND BELOW
28	16500Z6L831	CONTROL ASSY.....	1	S/N 1001592 AND ABOVE
29	16576891000	HOLDER, CABLE	2	
31	16617Z6L000	HOLDER, CABLE	1	
32	92301040060H	BOLT, RECESSED, 4X6	1	
34	92301050160A	BOLT, RECESSED, 5X16	2	
35	9454005018	E-RING, 5MM	1	

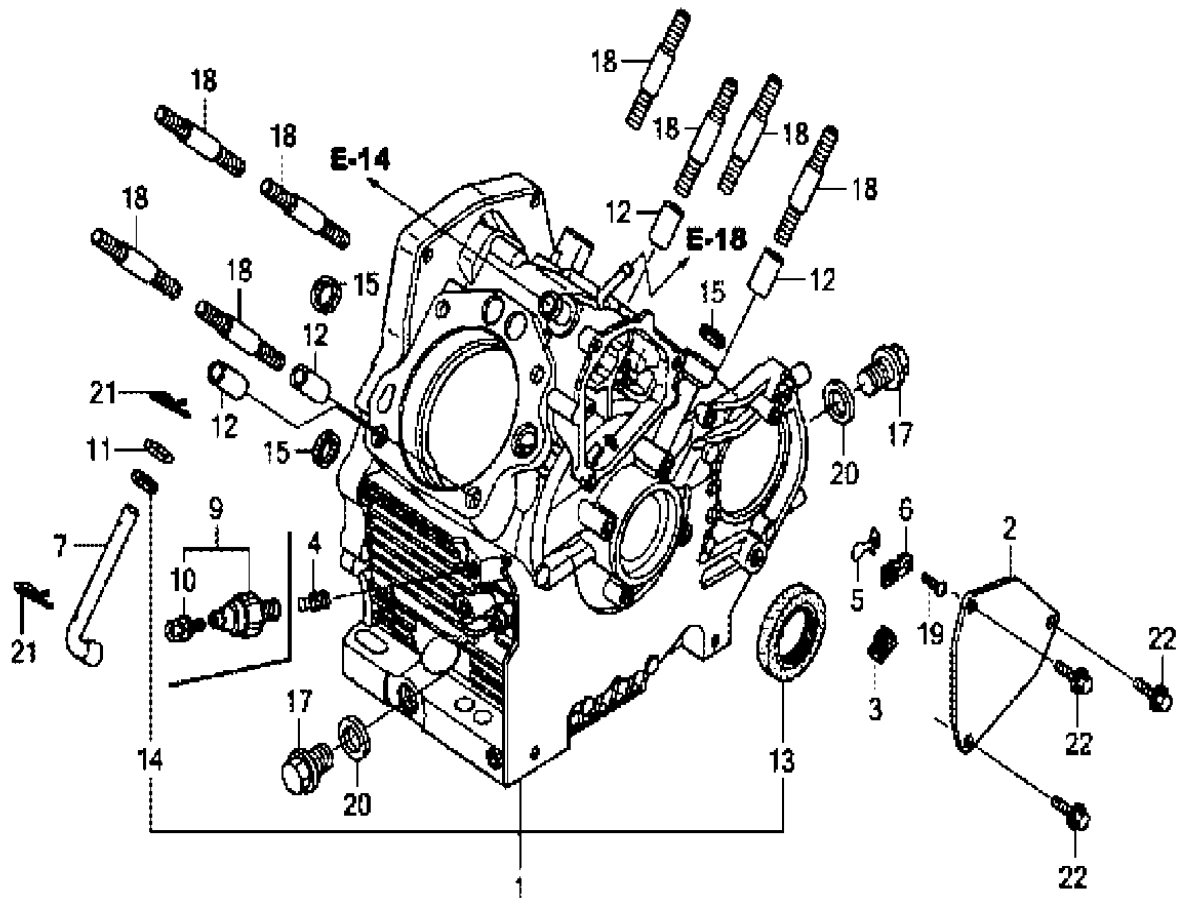
HONDA GX690RTAF — CONTROL BOX ASSY.



HONDA GX690RTAF — CONTROL BOX ASSY.

<u>NO.</u>	<u>PART NO.</u>	<u>PART NAME</u>	<u>QTY.</u>	<u>REMARKS</u>
001	17850Z6L003	LEVER ASSY., THROTTLE	1	
002	17910Z6L000	CABLE COMP., THROTTLE	1	
003	17950Z6L000	CABLE COMP., CHOKE	1	
004	17951ZV1000	KNOB, CHOKE	1	
005	31612Z6L000	COVER, CONTROL	1	
006	31614Z6L000	BRACKET, SWITCH BOX	1	
007	32346Z6L000	PANEL, CONTROL	1	
008	32347Z6L000	BRACKET, CONTROL BOX	1	
009	35100Z6L003	SWITCH ASSY., COMBINATION	1	
010	38216Z2E003	COVER ASSY., FUSE	1	
011	39700Z6L003	METER ASSY., HOUR	1	
012	87117Z2E800	LABEL, FUSE (30A)	1	
013	87501Z6L800	MARK, ENGINE SWITCH	1	
013	87501Z6L800	MARK, ENGINE SWITCH	1	
014	87502Z6L000	MARK, THROTTLE SWITCH	1	
016	90011Z0H811	BOLT, SOCKET, 5X9	2	
017	90101SP1003	SCREW, TAPPING, 3X8	2	
018	90380MB2000	SCREW, SPECIAL, 6X8	1	
019	90601Z6L000	GROMMET, CONTROL BOX	1	
020	90650KV6003	BAND, WIRE, 95MM	1	
021	90681763A01	CLIP, WIRE HARNES	1	
022	91508GN2000	SCREW, PAN, 5X10.5	2	
023	91565SEL003	CLIP, COUPLER (BLACK)	2	
024	938930500807	SCREWWASHER, 5X8	1	
025	9391325310	SCREW, TAPPING, 5X14	1	
026	9820043000	FUSE, MINI (30A)	1	
027	35110ZV5V50	KEY ASSY., COMBINATION SWITCH	2	

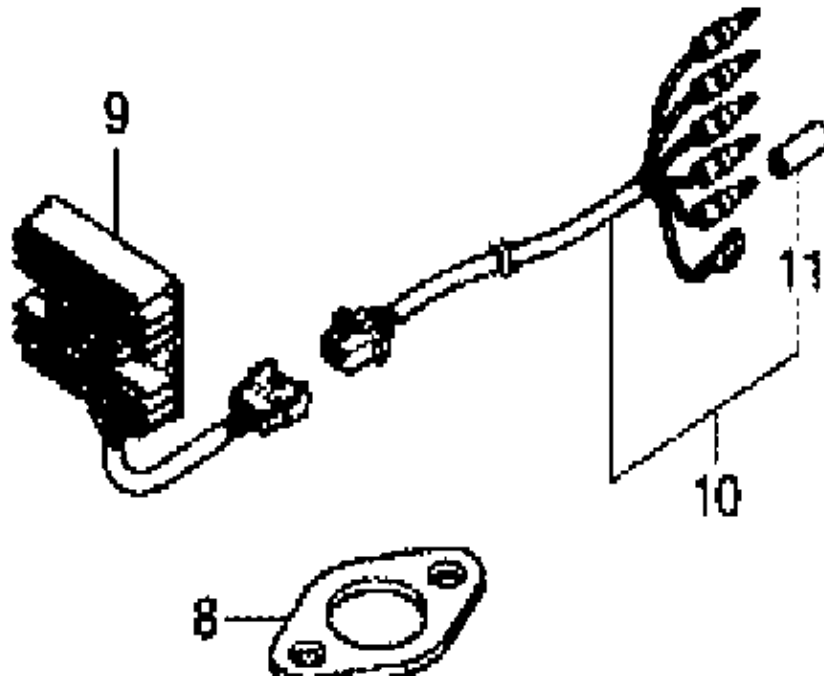
HONDA GX690RTAF — CRANKCASE ASSY.



HONDA GX690RTAF — CRANKCASE ASSY.

<u>NO.</u>	<u>PART NO.</u>	<u>PART NAME</u>	<u>QTY.</u>	<u>REMARKS</u>
1	11100Z6L000	CRANKCASE ASSY.	1	
2	12356Z6L000	COVER, BREATHER	1	
3	12367Z6L000	FILTER, BREATHER	1	
5	15571ZM7003	VALVE, OIL OUTLET	1	
6	15572Z6L000	PLATE, STOPPER	1	
7	16541Z6L000	SHAFT, GOVERNOR ARM	1	
9	37240ZG5004	SWITCH, OIL PRESSURE	1	
10	90002ZG5004	SCREWWASHER, 4X8	1	
11	90404Z6L000	WASHER, PLAIN (10MM)	1	
12	90709Z6L000	DOWEL PIN, 12X20	4	
13	91201Z6L003	OIL SEAL, 38X58X9	1	
14	91203Z6L003	OIL SEAL, 10X16X5	1	
15	91308Z6L003	PACKING, OIL PASS	3	
17	9280020000	BOLT, DRAIN PLUG, 20MM	2	
18	92900100400B	BOLT, STUD, 10X40	8	
19	93500030080A	SCREW, PAN, 3X8	1	
20	9410920000	WASHER, DRAIN PLUG, 20MM	2	
21	9425110000	PIN, LOCK, 10MM	2	
22	957010601400	BOLT, FLANGE, 6X14	3	

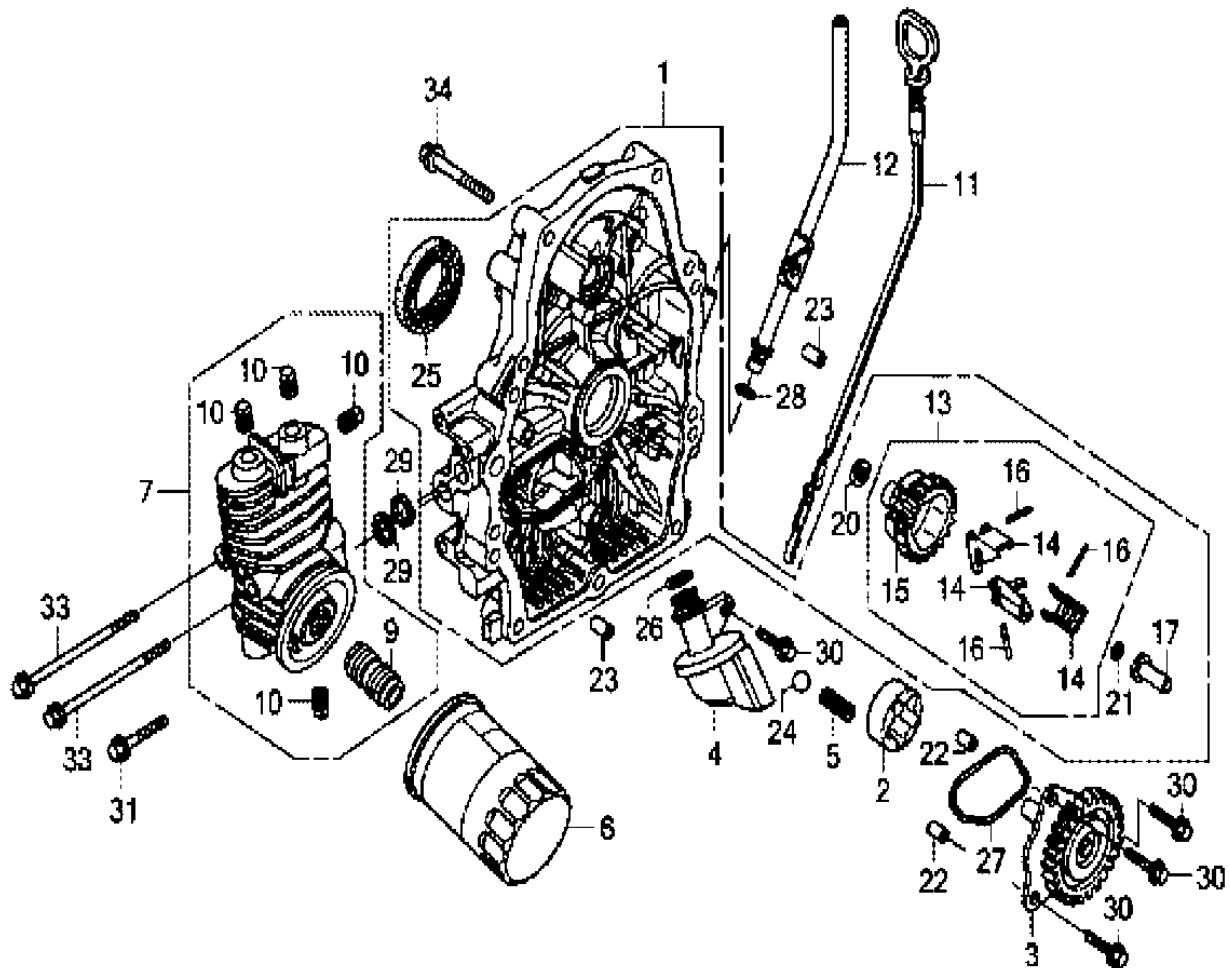
HONDA GX690RTAF — REGULATOR/RECTIFIER ASSY.



HONDA GX690RTAF — REGULATOR/RECTIFIER ASSY.

<u>NO.</u>	<u>PART NO.</u>	<u>PART NAME</u>	<u>QTY.</u>	<u>REMARKS</u>
8	18333ZE3800	GASKET, EX. PIPE	2	
9	31750Z2E803	RECTIFIER ASSY., REGULATOR (20A)	1	
10	32105Z6L000	HARNESS ASSY., SUB WIRE	1	
11	32824ZV5003	PLUG, OUTER CONNECTOR	1	

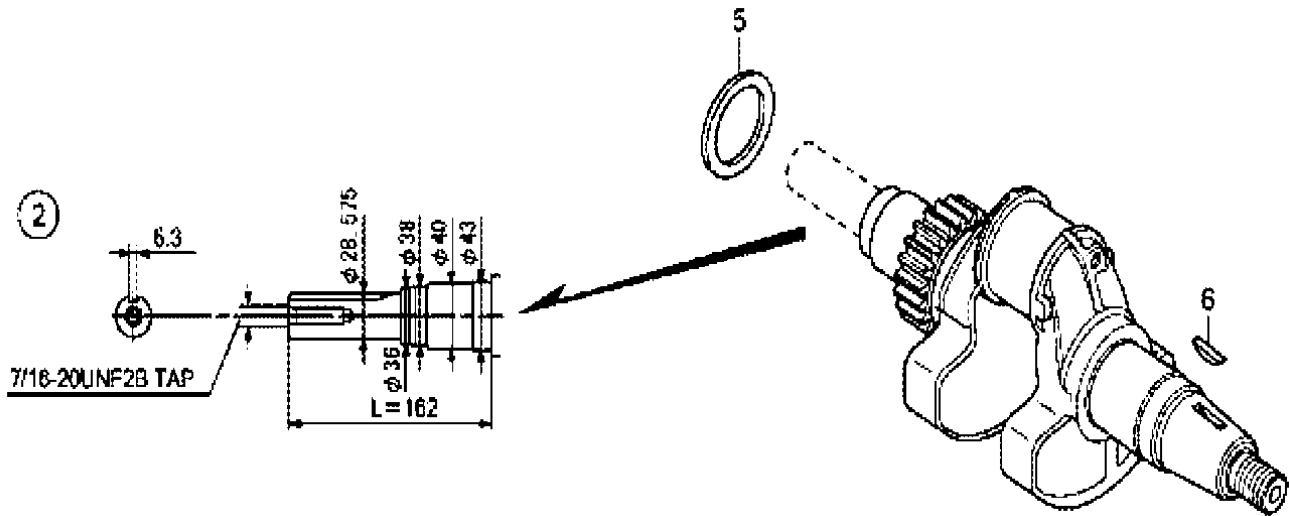
HONDA GX690RTAF — CRANKCASE COVER ASSY.



HONDA GX690RTAF — CRANKCASE COVER ASSY.

<u>NO.</u>	<u>PART NO.</u>	<u>PART NAME</u>	<u>QTY.</u>	<u>REMARKS</u>
1	11300Z6L000	COVER ASSY., CRANKCASE	1	
2	15133Z6L000	ROTOR, OIL PUMP OUTER	1	
3	15140Z6L000	GEAR COMP., OIL PUMP	1	
4	15220Z6L000	STRAINER COMP., OIL	1	
5	15232Z6L000	SPRING, RELIEF VALVE	1	
6	15400PLMA01PE	CARTRIDGE, OIL FILTER	1.....	REPLACES P/N 15400RTA004
7	15410Z6L000	BASE COMP., OIL FILTER	1	
9	15423Z6L000	HOLDER, OIL FILTER	1	
10	15424Z6L000	BOLT, SEALING	4	
11	15655Z6L000	GAUGE COMP., OIL LEVEL	1	
12	15665Z6L000	PIPE COMP., OIL LEVEL	1	
13	16510Z6L000	GOVERNOR ASSY.	1	
14	16511Z6L300	WEIGHT, GOVERNOR	3	
15	16512Z6L300	HOLDER, GOVERNOR WEIGHT	1	
16	16513Z6L000	PIN, GOVERNOR WEIGHT	3	
17	16531Z6L000	SLIDER, GOVERNOR	1	
20	90403Z6L000	WASHER, 6X16	1	
21	90602ZE1000	CLIP, GOVERNOR HOLDER	1	
22	90707Z6L000	DOWEL PIN, 8X10	2	
23	90708Z6L000	DOWEL PIN, 8X14	2	
24	90902Z6L000	BALL, STEEL, #15 (15/32)	1	
25	91202Z6L003	OIL SEAL, 38X58X9	1	
26	91301Z6L003	ORING, 14.8X2.4	1	
27	91302Z6L003	ORING, OIL PUMP	1	
28	91308PH9000	ORING, 8.8X1.9	1	
29	91308Z6L003	PACKING, OIL PASS	2	
30	957010602000	BOLT, FLANGE, 6X20	4	
31	957010602800	BOLT, FLANGE, 6X28	1	
33	957010609000	BOLT, FLANGE, 6X90	2	
34	957010804500	BOLT, FLANGE, 8X45	9	

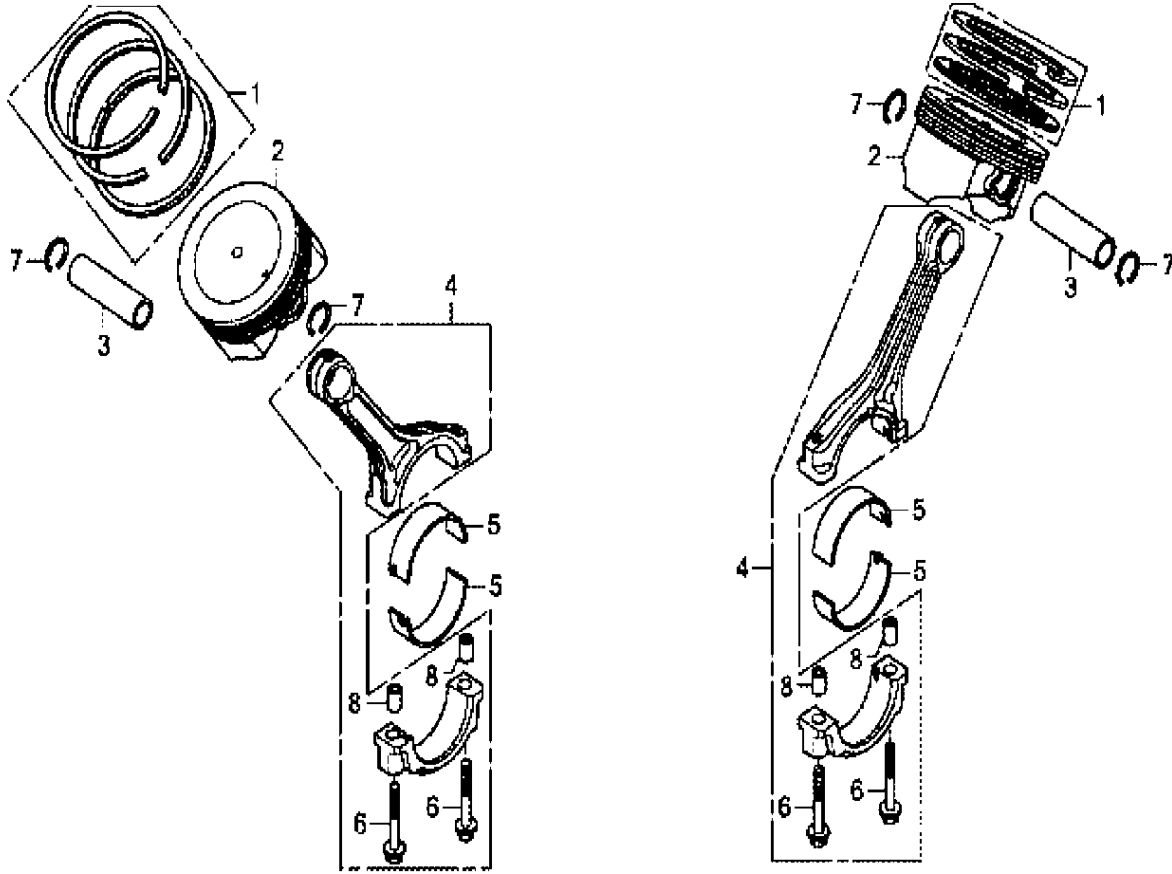
HONDA GX690RTAF — CRANKSHAFT ASSY.



HONDA GX690RTAF — CRANKSHAFT ASSY.

<u>NO.</u>	<u>PART NO.</u>	<u>PART NAME</u>	<u>QTY.</u>	<u>REMARKS</u>
2	13310Z6L600	CRANKSHAFT COMP. (L=162)	1	
5	90402Z6L000	WASHER, CRANKSHAFT THRUST	1	
6	90741ZE2000	KEY, SPECIAL WOODRUFF, 25X18	1	

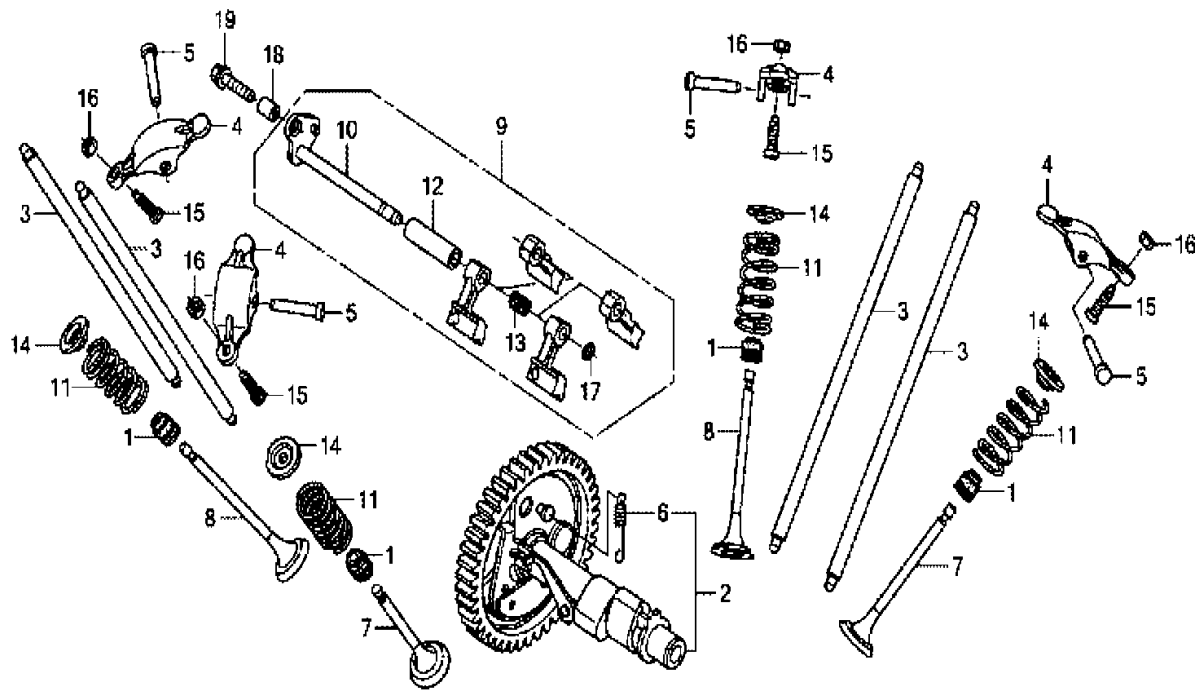
HONDA GX690RTAF — PISTON ASSY.



HONDA GX690RTAF — PISTON ASSY.

<u>NO.</u>	<u>PART NO.</u>	<u>PART NAME</u>	<u>QTY.</u>	<u>REMARKS</u>
001	13010Z6L003	RING SET, PISTON (STD.)	2	
002	13101Z6L000	PISTON	2	
003	13111Z6L000	PIN, PISTON	2	
004	13210Z6L000	ROD ASSY., CONNECTING	2	
005	13211Z6L003	BEARING A, CONNECTING ROD	4	
006	90001Z6L000	BOLT, CONNECTING ROD, 7X38	4	
007	90551ZE1000	CLIP, PISTON PIN, 18MM	4	
008	90705Z6L000	DOWEL PIN, 9X10	4	

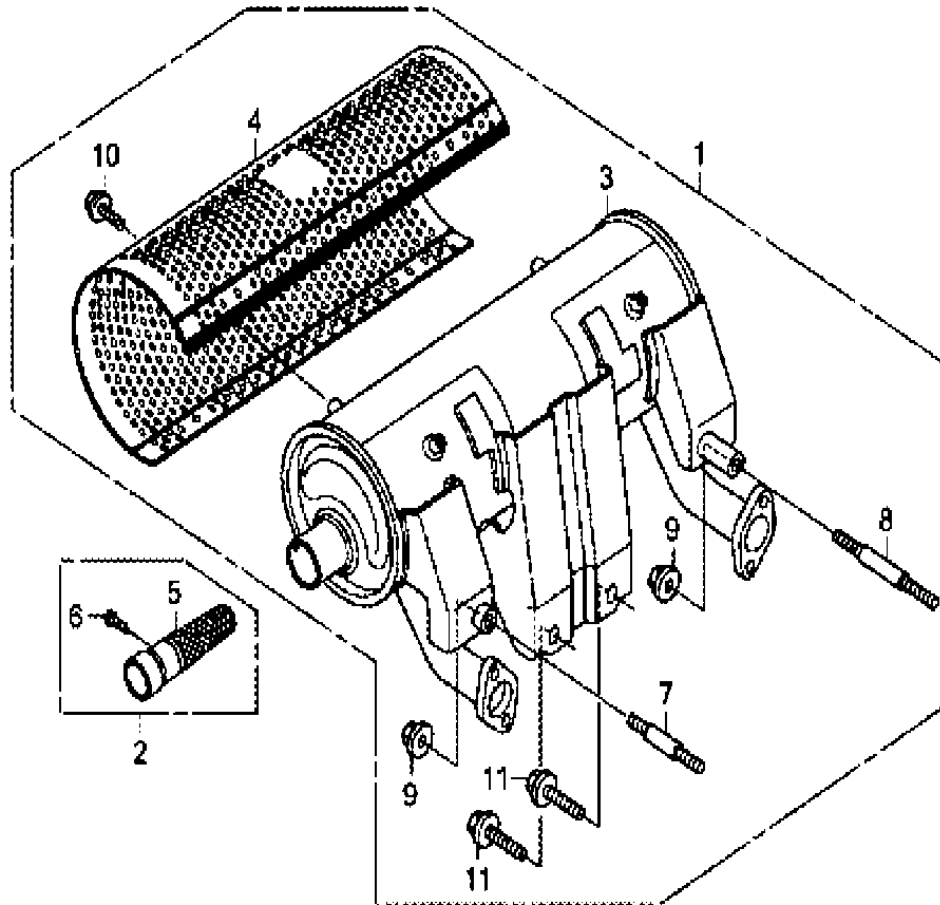
HONDA GX690RTAF — CAMSHAFT ASSY.



HONDA GX690RTAF — CAMSHAFT ASSY.

<u>NO.</u>	<u>PART NO.</u>	<u>PART NAME</u>	<u>QTY.</u>	<u>REMARKS</u>
1	12208Z6L003	SEAL, VALVE STEM	4	
2	14100Z6L000	CAMSHAFT ASSY.	1	
3	14410Z6L000	ROD COMP., PUSH	4	
4	14431Z6L000	ARM, VALVE ROCKER	4	
5	14461Z6L000	SHAFT, ROCKER ARM	4	
6	14568Z6L000	SPRING, WEIGHT RETURN	1	
7	14711Z6L000	VALVE, IN.	2	
8	14721Z6L000	VALVE, EX.	2	
9	14730Z6L000	LIFTER ASSY., VALVE	1	
10	14735Z6L000	SHAFT COMP., VALVE LIFTER	1	
11	14751Z6L000	SPRING, VALVE	4	
12	14763Z6L000	COLLAR, VALVE LIFTER	1	
13	14764Z6L000	SPRING, VALVE LIFTER	1	
14	14771ZE1000	RETAINER, IN. VALVE SPRING	4	
15	90012Z6L000	SCREW, TAPPET ADJUSTING	4	
16	90206Z6L000	NUT, TAPPET ADJUSTING	4	
17	90602ZE1000	CLIP, GOVERNOR HOLDER	1	
18	90707Z6L000	DOWEL PIN, 8X10	1	
19	957010602200	BOLT, FLANGE, 6X22	1	

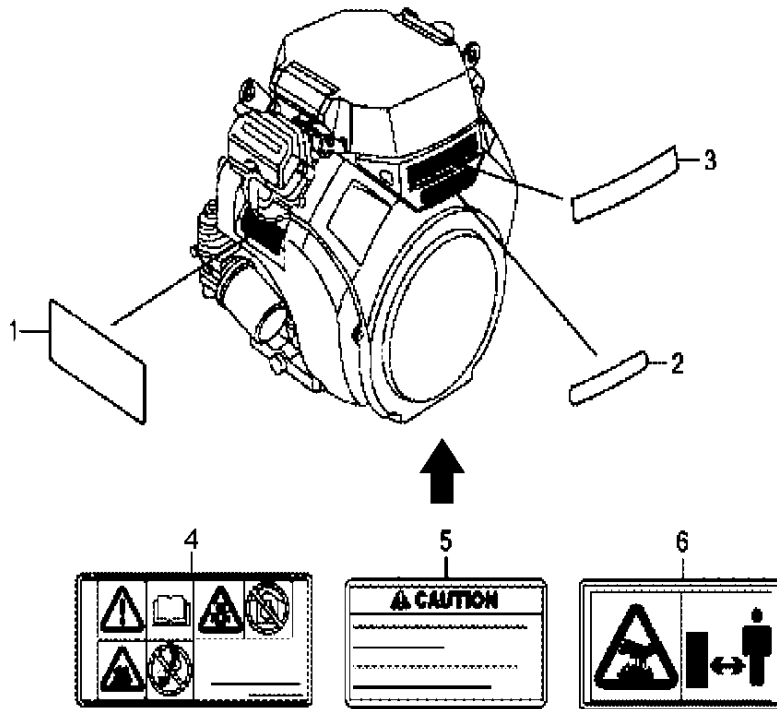
HONDA GX690RTAF — MUFFLER ASSY.



HONDA GX690RTAF — MUFFLER ASSY.

<u>NO.</u>	<u>PART NO.</u>	<u>PART NAME</u>	<u>QTY.</u>	<u>REMARKS</u>
1	22610	MUFFLER KIT (HIGH-R)	1	
2	06185Z6L000	ARRESTER KIT (HIGH)	1	
3	18310Z6L003	MUFFLER COMP. (HIGH-R)	1	
4	18321ZJ1010	PROTECTOR, MUFFLER (HIGH)	1	
5	18355ZJ1000	ARRESTER, SPARK	1	
6	93901250J0	SCREW, TAPPING, 5X8	1	
7	92900080450B	BOLT, STUD, 8X45	1	
8	92900080600B	BOLT, STUD, 8X60	1	
9	9405008000	NUT, FLANGE, 8MM	2	
10	957010600800	BOLT, FLANGE, 6X8	6	
11	957010802000	BOLT, FLANGE, 8X20	2	

HONDA GX690RTAF — LABELS ASSY.



HONDA GX690RTAF — LABELS ASSY.

<u>NO.</u>	<u>PART NO.</u>	<u>PART NAME</u>	<u>QTY.</u>	<u>REMARKS</u>
1	87516ZH7010	MARK, OPERATOR CAUTION (ENGLISH)	1	
2	87521Z6L000	EMBLEM (GX690)	1	
3	87531Z6L000	MARK, HONDA	1	
4	87519ZH7000	MARK, OPER. CAUTION (PICTOGRAPH)	1	
5	87539Z0J000	MARK, EX. CAUTION (ENGLISH)	1	
6	87539Z0J800	MARK, EX. CAUTION (PICTOGRAPH)	1	

TERMS AND CONDITIONS OF SALE — PARTS

PAYMENT TERMS

Terms of payment for parts are net 30 days.

FREIGHT POLICY

All parts orders will be shipped collect or prepaid with the charges added to the invoice. All shipments are F.O.B. point of origin. Multiquip's responsibility ceases when a signed manifest has been obtained from the carrier, and any claim for shortage or damage must be settled between the consignee and the carrier.

MINIMUM ORDER

The minimum charge for orders from Multiquip is \$15.00 net. Customers will be asked for instructions regarding handling of orders not meeting this requirement.

RETURNED GOODS POLICY

Return shipments will be accepted and credit will be allowed, subject to the following provisions:

1. A Returned Material Authorization must be approved by Multiquip prior to shipment.
2. To obtain a Return Material Authorization, a list must be provided to Multiquip Parts Sales that defines item numbers, quantities, and descriptions of the items to be returned.
 - a. The parts numbers and descriptions must match the current parts price list.
 - b. The list must be typed or computer generated.
 - c. The list must state the reason(s) for the return.
 - d. The list must reference the sales order(s) or invoice(s) under which the items were originally purchased.
 - e. The list must include the name and phone number of the person requesting the RMA.
3. A copy of the Return Material Authorization must accompany the return shipment.
4. Freight is at the sender's expense. All parts must be returned freight prepaid to Multiquip's designated receiving point.

5. Parts must be in new and resalable condition, in the original Multiquip package (if any), and with Multiquip part numbers clearly marked.
6. The following items are not returnable:
 - a. Obsolete parts. (If an item is in the price book and shows as being replaced by another item, it is obsolete.)
 - b. Any parts with a limited shelf life (such as gaskets, seals, "O" rings, and other rubber parts) that were purchased more than six months prior to the return date.
 - c. Any line item with an extended dealer net price of less than \$5.00.
 - d. Special order items.
 - e. Electrical components.
 - f. Paint, chemicals, and lubricants.
 - g. Decals and paper products.
 - h. Items purchased in kits.
7. The sender will be notified of any material received that is not acceptable.
8. Such material will be held for five working days from notification, pending instructions. If a reply is not received within five days, the material will be returned to the sender at his expense.
9. Credit on returned parts will be issued at dealer net price at time of the original purchase, less a 15% restocking charge.
10. In cases where an item is accepted, for which the original purchase document can not be determined, the price will be based on the list price that was effective twelve months prior to the RMA date.
11. Credit issued will be applied to future purchases only.

PRICING AND REBATES

Prices are subject to change without prior notice. Price changes are effective on a specific date and all orders received on or after that date will be billed at the revised price. Rebates for price declines and added charges for price increases will not be made for stock on hand at the time of any price change.

Multiquip reserves the right to quote and sell direct to Government agencies, and to Original Equipment Manufacturer accounts who use our products as integral parts of their own products.

SPECIAL EXPEDITING SERVICE

A \$35.00 surcharge will be added to the invoice for special handling including bus shipments, insured parcel post or in cases where Multiquip must personally deliver the parts to the carrier.

LIMITATIONS OF SELLER'S LIABILITY

Multiquip shall not be liable hereunder for damages in excess of the purchase price of the item with respect to which damages are claimed, and in no event shall Multiquip be liable for loss of profit or good will or for any other special, consequential or incidental damages.

LIMITATION OF WARRANTIES

No warranties, express or implied, are made in connection with the sale of parts or trade accessories nor as to any engine not manufactured by Multiquip. Such warranties made in connection with the sale of new, complete units are made exclusively by a statement of warranty packaged with such units, and Multiquip neither assumes nor authorizes any person to assume for it any other obligation or liability whatever in connection with the sale of its products. Apart from such written statement of warranty, there are no warranties, express, implied or statutory, which extend beyond the description of the products on the face hereof.

Effective: February 22, 2006

PARTS MANUAL

HERE'S HOW TO GET HELP

PLEASE HAVE THE MODEL AND SERIAL
NUMBER ON-HAND WHEN CALLING

UNITED STATES

Multiquip Corporate Office

18910 Wilmington Ave.
Carson, CA 90746
Contact: mq@multiquip.com

Tel. (800) 421-1244
Fax (310) 537-3927

MQ Parts Department

800-427-1244
310-537-3700

Fax: 800-672-7877

Service Department

800-421-1244
310-537-3700

Warranty Department

800-421-1244
310-537-3700

Fax: 310-943-2249

Technical Assistance

800-478-1244

Fax: 310-943-2238

CANADA

Multiquip

4110 Industriel Boul.
Laval, Quebec, Canada H7L 6V3
Contact: infocanda@multiquip.com

Tel: (450) 625-2244
Tel: (877) 963-4411
Fax: (450) 625-8664

UNITED KINGDOM

Multiquip (UK) Limited Head Office

Unit 2, Northpoint Industrial Estate,
Globe Lane,
Dukinfield, Cheshire SK16 4UJ
Contact: sales@multiquip.co.uk

Tel: 0161 339 2223
Fax: 0161 339 3226

© COPYRIGHT 2016, MULTIQUIP INC.

Multiquip Inc, the MQ logo and the Whiteman logo are registered trademarks of Multiquip Inc. and may not be used, reproduced, or altered without written permission. All other trademarks are the property of their respective owners and used with permission.

This manual MUST accompany the equipment at all times. This manual is considered a permanent part of the equipment and should remain with the unit if resold.

The information and specifications included in this publication were in effect at the time of approval for printing. Illustrations, descriptions, references and technical data contained in this manual are for guidance only and may not be considered as binding. Multiquip Inc. reserves the right to discontinue or change specifications, design or the information published in this publication at any time without notice and without incurring any obligations.

Your Local Dealer is:

