

PARTS MANUAL



 **WHITEMAN** SERIES

MODELS

J36 SERIES

CENTRIFUGAL CLUTCH

(INCLUDES M30H55)

WALK-BEHIND TROWEL

(HONDA/ROBIN-SUBARU GASOLINE ENGINE)

Revision #1 (09/19/17)

To find the latest revision of this
publication, visit our website at:
www.multiquip.com



THIS MANUAL MUST ACCOMPANY THE EQUIPMENT AT ALL TIMES.

PN: 13400

J-SERIES/M30 WALK-BEHIND TROWELS

Table Of Contents.....	2
Parts Ordering Procedures.....	3
Explanation Of Code In Remarks Column.....	4
Suggested Spare Parts	5

Component Drawings

Nameplate And Decals Assy.....	6-7
Standard Handle Assy.	8-9
Standard Handle Assy. (Vibration Control)	10-11
Quick-Pitch Handle Assy.....	12-15
Quick-Pitch Handle Assy. (Vibration Control) ...	16-17
Guard Assy.	18-19
Gearbox Assy.....	20-21
Engine Assy.....	22-23
Spider Assy.....	24-25
Blade Assy.....	26-27
Engine Service Parts (Honda).....	28-29
Engine Service Parts (Robin/Subaru)	30-31

Terms And Conditions Of Sale — Parts	32
--	----

NOTICE

Specifications and part numbers are subject to change without notice.

PARTS ORDERING PROCEDURES

Ordering parts has never been easier! Choose from three easy options:

Effective:
January 1st, 2006

www.multiquip.com



Order via Internet (Dealers Only):

Order parts on-line using Multiquip's SmartEquip website!

- View Parts Diagrams
- Order Parts
- Print Specification Information



If you have an MQ Account, to obtain a Username and Password, E-mail us at: parts@multiquip.com.

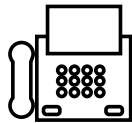
To obtain an MQ Account, contact your District Sales Manager for more information.

Goto www.multiquip.com and click on

Order Parts to log in and save!

Use the **internet** and qualify for a **5% Discount** on *Standard orders* for all orders which include complete part numbers.*

Note: Discounts Are Subject To Change



Order via Fax (Dealers Only):

All customers are welcome to order parts via Fax.

Domestic (US) Customers dial:
1-800-6-PARTS-7 (800-672-7877)

Fax your order in and qualify for a **2% Discount** on *Standard orders* for all orders which include complete part numbers.*

Note: Discounts Are Subject To Change



Order via Phone: Domestic (US) Dealers Call:
1-800-427-1244

Non-Dealer Customers:

Contact your local Multiquip Dealer for parts or call 800-427-1244 for help in locating a dealer near you.



International Customers should contact their local Multiquip Representatives for Parts Ordering information.

When ordering parts, please supply:

- | | |
|---|--|
| <input type="checkbox"/> Dealer Account Number | <input type="checkbox"/> Specify Preferred Method of Shipment: |
| <input type="checkbox"/> Dealer Name and Address | <input checked="" type="checkbox"/> UPS/Fed Ex <input checked="" type="checkbox"/> DHL |
| <input type="checkbox"/> Shipping Address (if different than billing address) | <input type="checkbox"/> Priority One <input checked="" type="checkbox"/> Truck |
| <input type="checkbox"/> Return Fax Number | <input type="checkbox"/> Ground |
| <input type="checkbox"/> Applicable Model Number | <input type="checkbox"/> Next Day |
| <input type="checkbox"/> Quantity, Part Number and Description of Each Part | <input type="checkbox"/> Second/Third Day |

NOTICE

All orders are treated as *Standard Orders* and will ship the same day if received prior to 3PM PST.

WE ACCEPT ALL MAJOR CREDIT CARDS!



EXPLANATION OF CODE IN REMARKS COLUMN

The following section explains the different symbols and remarks used in the Parts section of this manual. Use the help numbers found on the back page of the manual if there are any questions.

NOTICE

The contents and part numbers listed in the parts section are subject to change **without notice**. Multiquip does not guarantee the availability of the parts listed.

SAMPLE PARTS LIST

NO.	PART NO.	PART NAME	QTY.	REMARKS
1	12345	BOLT	1	INCLUDES ITEMS W/%
2%		WASHER, 1/4 IN.		NOT SOLD SEPARATELY
2%	12347	WASHER, 3/8 IN. ...	1	MQ-45T ONLY
3	12348	HOSE	A/R	MAKE LOCALLY
4	12349	BEARING	1	S/N 2345B AND ABOVE

NO. Column

Unique Symbols — All items with same unique symbol (@, #, +, %, or >) in the number column belong to the same assembly or kit, which is indicated by a note in the “Remarks” column.

Duplicate Item Numbers — Duplicate numbers indicate multiple part numbers, which are in effect for the same general item, such as different size saw blade guards in use or a part that has been updated on newer versions of the same machine.

NOTICE

When ordering a part that has more than one item number listed, check the remarks column for help in determining the proper part to order.

PART NO. Column

Numbers Used — Part numbers can be indicated by a number, a blank entry, or TBD.

TBD (To Be Determined) is generally used to show a part that has not been assigned a formal part number at the time of publication.

A blank entry generally indicates that the item is not sold separately or is not sold by Multiquip. Other entries will be clarified in the “Remarks” Column.

QTY. Column

Numbers Used — Item quantity can be indicated by a number, a blank entry, or A/R.

A/R (As Required) is generally used for hoses or other parts that are sold in bulk and cut to length.

A blank entry generally indicates that the item is not sold separately. Other entries will be clarified in the “Remarks” Column.

REMARKS Column

Some of the most common notes found in the “Remarks” Column are listed below. Other additional notes needed to describe the item can also be shown.

Assembly/Kit — All items on the parts list with the same unique symbol will be included when this item is purchased.

Indicated by:

“INCLUDES ITEMS W/(unique symbol)”

Serial Number Break — Used to list an effective serial number range where a particular part is used.

Indicated by:

“S/N XXXXX AND BELOW”

“S/N XXXX AND ABOVE”

“S/N XXXX TO S/N XXX”

Specific Model Number Use — Indicates that the part is used only with the specific model number or model number variant listed. It can also be used to show a part is NOT used on a specific model or model number variant.

Indicated by:

“XXXXX ONLY”

“NOT USED ON XXXX”

“Make/Obtain Locally” — Indicates that the part can be purchased at any hardware shop or made out of available items. Examples include battery cables, shims, and certain washers and nuts.

“Not Sold Separately” — Indicates that an item cannot be purchased as a separate item and is either part of an assembly/kit that can be purchased, or is not available for sale through Multiquip.

SUGGESTED SPARE PARTS

WALK-BEHIND TROWELS

1 to 3 Units

Qty.	P/N	Description
1	21047	BEARING KIT
1	30112	BELT GUARD
1	21046	GASKET/SEAL KIT
2	20111	GEARBOX LUBRICANT
2	22762	GRIP, HANDLE
1	21243	KIT, THROTTLE
1	20285	PITCH CABLE (STD)
1	20297	PITCH CABLE (QP)
3	20856	SWITCH, CENTRIFUGAL STOP
1	10968	THRUST BEARING KIT
1	10793	THRUST COLLAR
1♦	1243	V-BELT A27
1◇	152 3	V-BELT A28
1	1154 A	WEAR PLATE

NOTICE

♦ J36R90, J36R90H, J36H90, J36H90H

◇ J36R60, J36S60, J36H55, M30H55

HONDA GX160UT2QX2 GASOLINE ENGINE

1 to 3 Units

Qty.	P/N	Description
1	34150ZH7013	ALERT UNIT, OIL
1	17620Z4H030	CAP, FUEL TANK, CHROME
3	17210ZE1517	ELEMENT, AIR CLEANER
1	N/A	FUEL, FILTER
2	17218ZE1507	OUTER FOAM FILTER
1	28462ZH8003	ROPE, RECOIL STARTER
3	9807956846	SPARK PLUG, BPR6ES

HONDA GX270UT2QA2 GASOLINE ENGINE

1 to 3 Units

Qty.	P/N	Description
1	34150ZH7013	ALERT UNIT, OIL
1	17620Z4H030	CAP, FUEL TANK
3	17210ZE2515	ELEMENT, AIR CLEANER
1	17672Z4H000	FUEL, FILTER
2	17218ZE2505	OUTER FOAM FILTER
1	28462ZE2W01	ROPE, RECOIL STARTER
3	9807956846	SPARK PLUG, BPR6ES

ROBIN EX170D50040 GASOLINE ENGINE

1 to 3 Units

Qty.	P/N	Description
1	2777630101	ALERT UNIT, OIL
2	0430440050	CAP, FUEL TANK
3	2773261107	ELEMENT, AIR CLEANER W/OUTER FOAM FILTER
1	0641360010	FUEL, FILTER
2	2695011208	ROPE RECOIL STARTER
2	0650140150	SPARK PLUG, BR6HS

SUBARU EX170DM2231 GASOLINE ENGINE

1 to 3 Units

Qty.	P/N	Description
1	2777630121	ALERT UNIT, OIL
1	X430440143	CAP, FUEL TANK
3	2773261107	ELEMENT, AIR CLEANER W/OUTER FOAM FILTER
1	X641360010	FUEL, FILTER
1	2825011118	ROPE, RECOIL STARTER
3	X650143050	SPARK PLUG, BR6HS

ROBIN EX270D50020 GASOLINE ENGINE

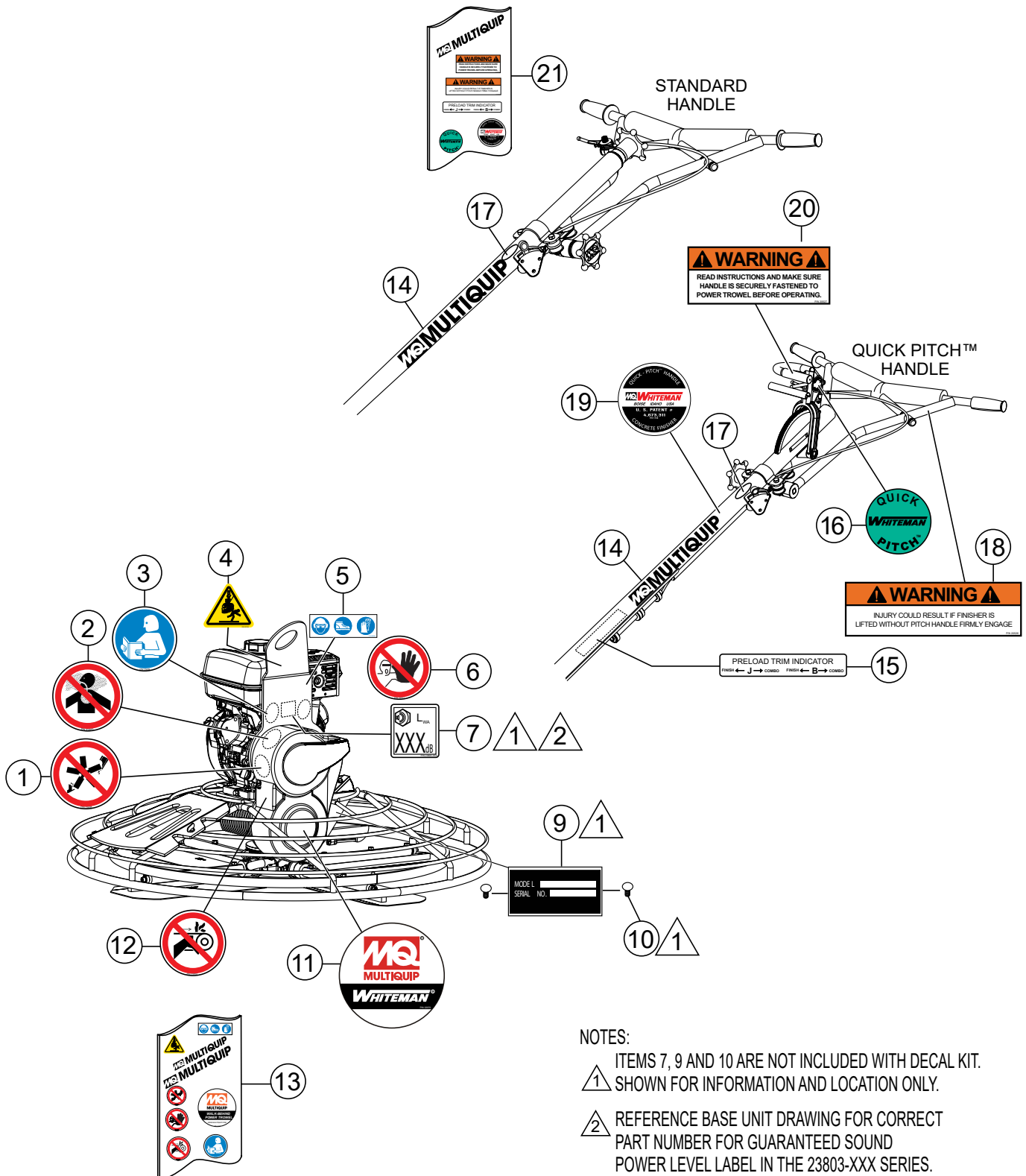
1 to 3 Units

Qty.	P/N	Description
1	2797630121	ALERT UNIT, OIL
2	0430440050	CAP, FUEL TANK
3	2793260707	ELEMENT, AIR CLEANER W/OUTER FOAM FILTER
1	0641360010	FUEL, FILTER
2	2795011008	ROPE RECOIL STARTER
2	0650140150	SPARK PLUG, BR6HS

NOTICE

Part numbers on this Suggested Spare Parts list may supersede/replace the part numbers shown in the following parts lists.

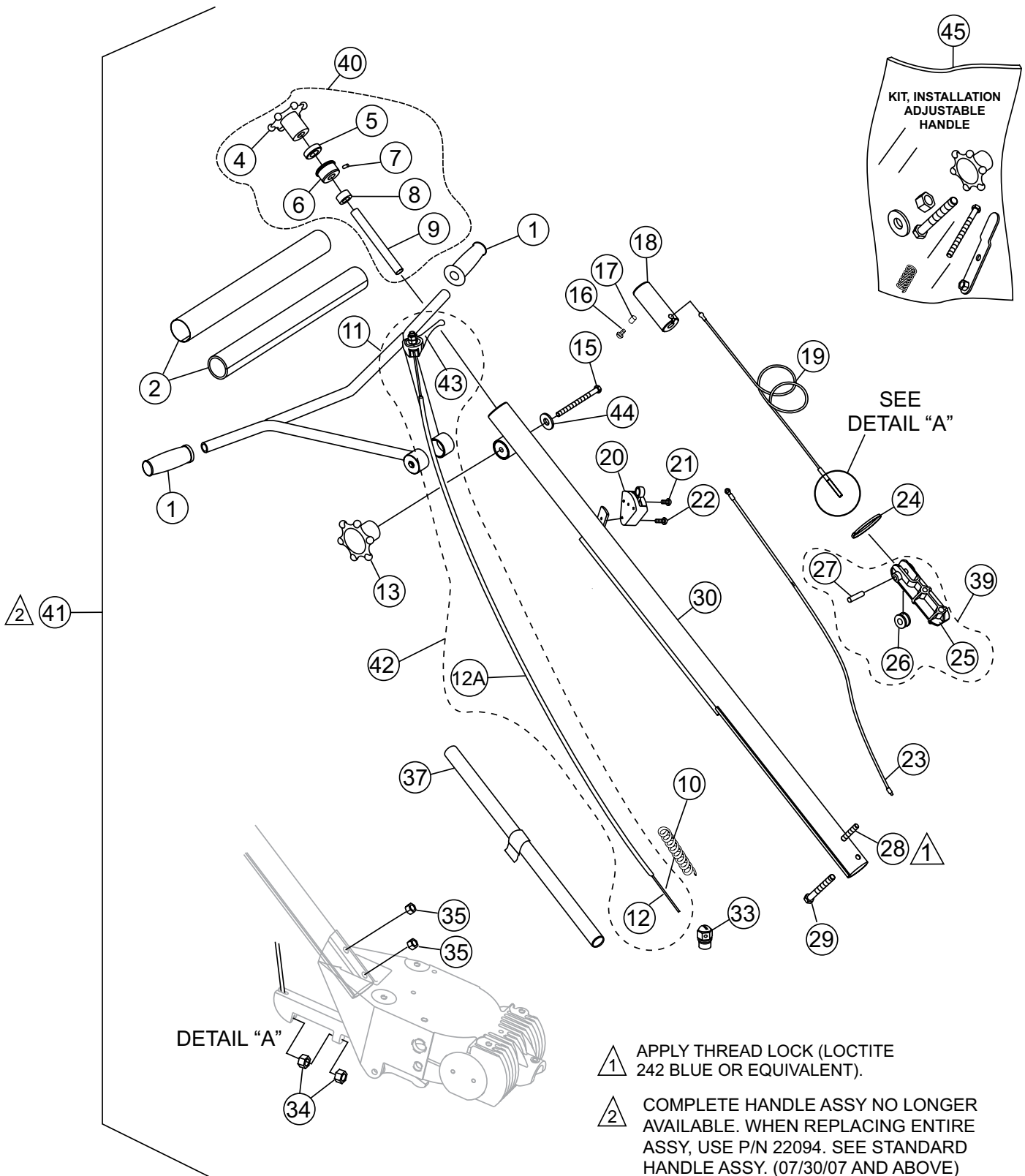
NAMEPLATE AND DECALS ASSY.



NAMEPLATE AND DECALS ASSY.

<u>NO.</u>	<u>PART NO.</u>	<u>PART NAME</u>	<u>QTY.</u>	<u>REMARKS</u>
1#	23698	ISO DECAL; ROTATING BLADE HAZARD, 2.00" DIA.	1	
2#	23810	ISO DECAL; INHALATION HAZARD, 2.00" DIA	1	
3#	23699	ISO DECAL; READ MANUAL, 2.00" DIA.	1	
4#	23700	ISO DECAL; LIFTING/CRUSH, 2.4" X 2.0"	1	
5#	36099	ISO DECAL; PROTECTIVE CLOTHING, 3.50" X 1.13"	1	
6#	23701	ISO DECAL; ASK FOR TRAINING, 2.00" DIA.	1	
7#	23803-108	ISO DECAL; GUARANTEED SOUND (108 dB), 1.41" X 1.57"	1	
9		SERIAL PLATE	1 CONTACT MQ PARTS.
10	4014	SCREW, 2-3/16 P-K TYPE U-DRIVE	2	
11#	22070	DECAL; MQ WHITEMAN POWER TROWEL, 3.78" DIA.	1	
12#	23704	ISO DECAL; GUARD WARNING, 2.00" DIA.	1	
13	22038	DECAL KIT, LOWER BODY	1 INCLUDES ITEMS W/#
14%	23702	DECAL; MQ LOGO 12.30" X 1.457"	1	
15%	1735	DECAL, PRE-LOAD	1 QUICK PITCH ONLY
16%	12405	DECAL; QUICK-PITCH HANDLE INSERT	1	
17%	1492	DECAL; CUSTOM, 2-1/2" CHROME, WHITEMAN	1	
18%	20526	DECAL; WARNING, QUICK PITCH LATCH WARNING	1	
19%	1758	DECAL; QUICK PITCH HANDLE	1	
20	20527	DECAL; WARNING, QUICK PITCH WARNING	1	
21	32344	DECAL KIT, HANDLE	1 INCLUDES ITEMS W/%

STANDARD HANDLE ASSY.



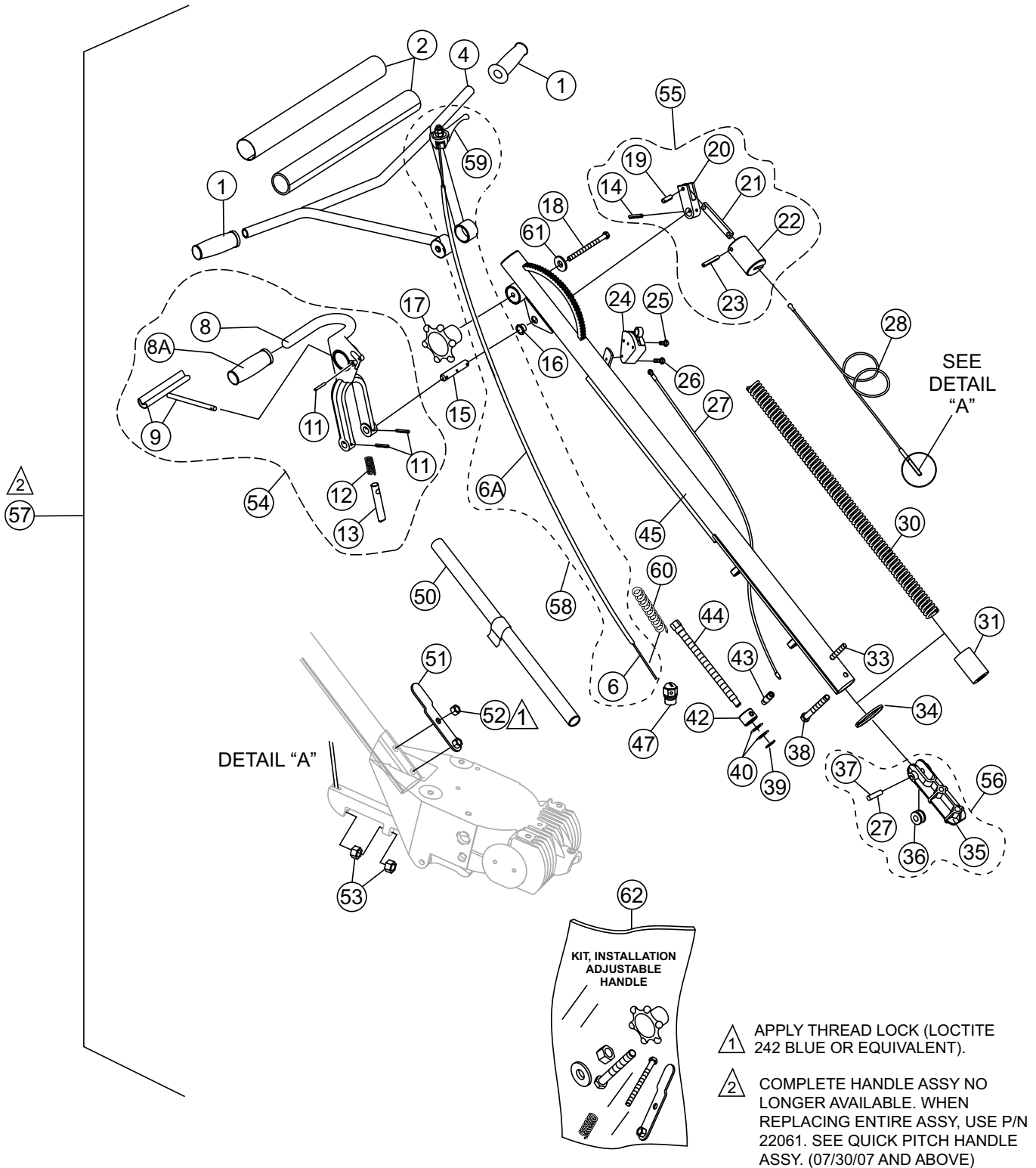
STANDARD HANDLE ASSY.

<u>NO.</u>	<u>PART NO.</u>	<u>PART NAME</u>	<u>QTY.</u>	<u>REMARKS</u>
1	22762	GRIP, HANDLE	2	
2	20774	COVER, PAD HANDLE	1	
4\$	20817	WHEEL, HAND HANDLE	1	
5\$	0281	BEARING, THRUST	1	
6\$	20282	BEARING, TROWEL CONTROL	1	
7\$	0122C	SCREW, SHS 3/8-16 X 1/2"	1	
8\$	3615	COLLAR, SET 3/4 ID.	1	
9\$	1478	SHAFT, TROWEL CONTROL	1	
10@	21746	SPRING, THROTTLE	1	
11	12556	HANDLE, ADJUSTABLE	1	
12%	21172	CABLE, THROTTLE 68"	1	
12A%	21173	HOUSING, CABLE 63"	1	
13@	20439	WHEEL ASSEMBLY, HAND	1	
15@	20438	SCREW, HHC 3/8-16 X 5.00"	1	
16	0786	SCREW, BHC 1/4- 20 X 3/8" NYL PATCH, NP	1	
17	0786A	SPACER, .360 X 17/64 X 1/8L	1	
18	20287	SLIDE BLOCK TROWEL CONTROL	1	
19	20285	CABLE ASSY., 48.29"	1	
20	20856	SWITCH ASSY., CENTRIFUGAL STOP	1	INCLUDES ITEM W/ %
21%	1602	SCREW, RHM 10-24 X 3/8"	1	
22	20988	SCREW, FHSC PHILLIPS 8-32 X 1-1/4"	1	
23	20514	WIRE ASSY., CENTRIFUGAL STOP SWITCH	1	
24	1662	TIE, CABLE TY-RAP, BLACK	1	
25#	20275	BLOCK, SUPPORT	1	
26#	1118	PULLEY, SUPPORT BLOCK	1	
27#	20279	PIN, SUPPORT BLOCK 3/8 X 1.59"	1	
28	21017	SCREW, HHC 3/8-16 X 3-1/4" FULL THREAD	1	
29@	1493	SCREW, HHC 3/8-16 X 3-1/4"	1	
30	12567	HANDLE, STD	1	
33	20845	SWIVEL, THROTTLE CABLE	1	HONDA ENGINE ONLY
34	1116	NUT, BRASS JAM 5/16-18	2	
35@	10133	NUT, NYLOC 3/8-16	1	
37		HANDLE, LIFT ASSEMBLY.....	1	NO LONGER AVAILABLE
39	20280	BLOCK, CABLE ASSEMBLY	1	INCLUDES ITEMS W/ #
40	20819	HAND WHEEL ASSEMBLY, PITCH CONTROL	1	INCLUDES ITEMS W/ \$
41		HANDLE ASSY.	1	NO LONGER AVAILABLE
42	21243	THROTTLE KIT.....	1	INCLUDES ITEMS W/ %
43	21171	THROTTLE LEVER	1	
44@	3233	WASHER, FENDER 1.5 OD. X 3/8" ID.	1	
45	20493	KIT, INSTALLATION ADJUSTABLE HANDLE....	1	INCLUDES ITEMS W/ @

STANDARD HANDLE ASSY. (VIBRATION CONTROL)

<u>NO.</u>	<u>PART NO.</u>	<u>PART NAME</u>	<u>QTY.</u>	<u>REMARKS</u>
1#@	0786	SCREW, BHC 1/4-20 X 3/8"	2	
2#@	0786 A	SPACER, SLIDE BLOCK GUIDE	1	
3#@	1116	NUT, BRASS JAM 5/16"-18	2	
4#@	9154	SCREW, HHC 3/8"-16 X 2"	1	
5#@	3233	WASHER, FENDER, 1.5 OD X 3/8 ID	4	
6#@	1665	SCREW, HHC 3/8"-16 X 2"	2	
7#@	10133	NUT, NYLOC 3/8"-16	2	
8#@	20280	BLOCK, PITCH CONTROL	1	
9#@	20285	CABLE, CONTROL	1	
10#@	20287	SLIDE BLOCK, TROWEL CONTROL	1	
11#@	20439	WHEEL ASSEMBLY, HAND	1	
12#@	22762	GRIP, HANDLE	2	
13#@	21953	WIRE ASSY., CENTRIF/PRESENCE SW.	1	
14#@	20819	HAND WHEEL ASSEMBLY, PITCH CTRL.	1	
15#@	20856	SWITCH ASSEMBLY, CENTRIFUGAL STOP	1	
16#@	21017	SCREW, HHC 3/8-16 X 3.25" GRD 5	1	
17#@ \$	22732	THROTTLE LEVER ASSY.	1	
18#@ \$	21172	CABLE, THROTTLE 68"	1	
19#@ \$	21173	HOUSING, CABLE 63"	1	
20#@	22055	HANDLE W/A, VIBRATION CONTROL	1	
21#@	22059	ISOLATOR, VIB. 80 DUROMETER	3	
22#@	22095	HANDLE, W/A, VIBE CONTROL	1	
23#@	22166	COVER, VIBE CONTROL HANDLE PAD	1	
24#@	22167	SCREW, HHC 3/8-16 X 6.5" GRD 5	1	
25#@	22206	CHASSIS, CAST VIBRATION ISOLATOR	1	REPLACES P/N 22056
26#@	22100	KIT, VIBE CTRL. HANDLE INSTALLATION	1	INCLUDES ITEMS W/ %
32#@	21243	THROTTLE KIT	1	INCLUDES ITEMS W/ \$
37	SXH	HANDLE ASSY, STD. VIBE CONTROL	1	INCLUDES ITEMS W/ @
38	SXHP	HANDLE, ASSY, STD. W/OP PRESENCE SW..	1	INCLUDES ITEMS W/ #
39#@	21688	KIT, OPERATOR PRESENCE SWITCH	1	INCLUDES ITEMS W/ &
40#@ %	1493	SCREW, HHC, 3/8-16 X 3-1/4"	1	
41#@ %	10133	NUT, NYLOC 3/8-16	2	
42#@ %	10136	WASHER, FLAT, SAE, 3/8"	2	
43#@ %	21746	SPRING, 0.42 OD. X 2.5L, THROTTLE RTN.	1	
44#@ %	20485	KIT, VIBE CONTROL HANDLE INSTRUCT.	1	
45&	21953	WIRE ASSY., CENTRIF/PRESENCE SW.	1	

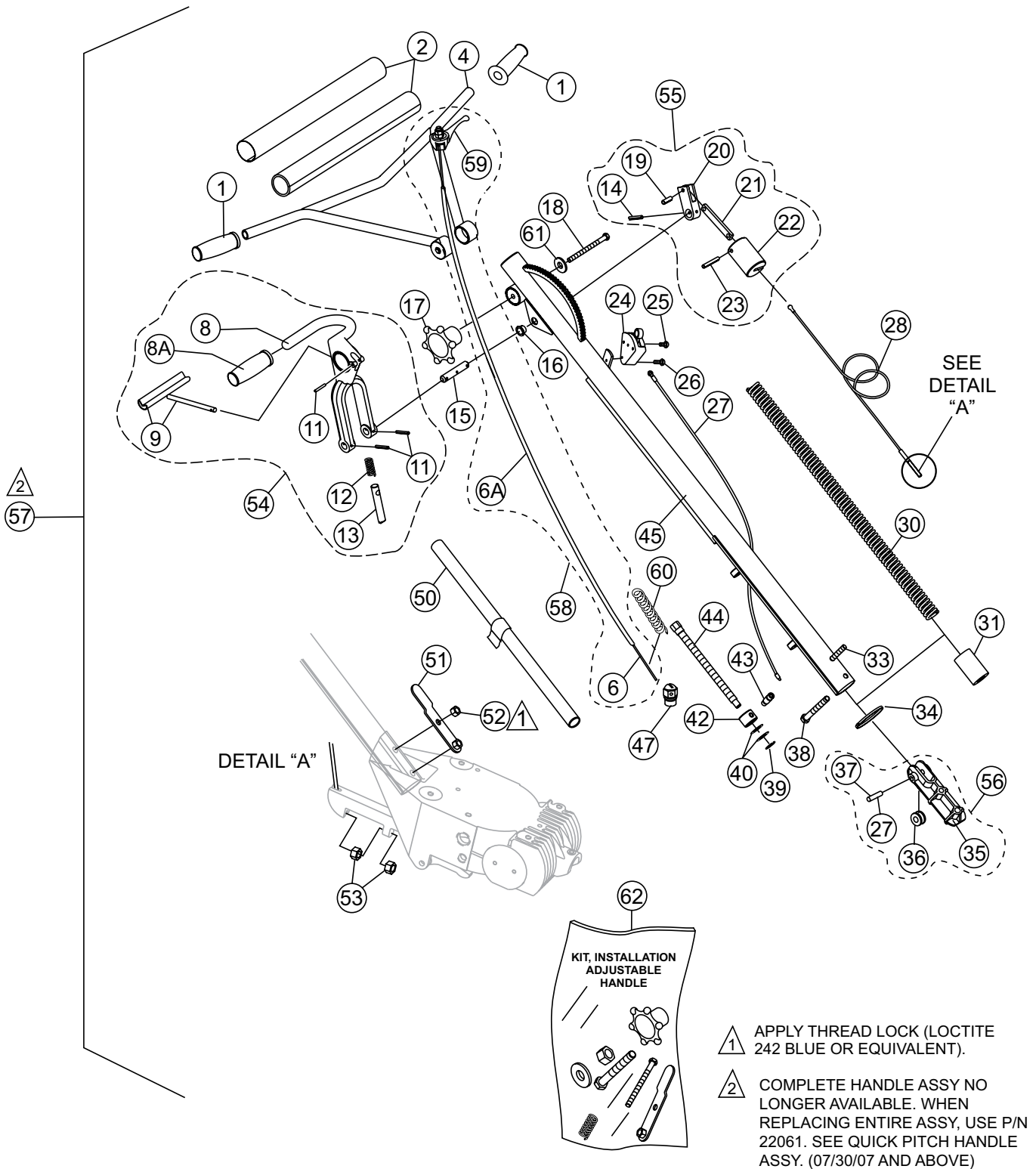
QUICK-PITCH HANDLE ASSY.



QUICK-PITCH HANDLE ASSY.

<u>NO.</u>	<u>PART NO.</u>	<u>PART NAME</u>	<u>QTY.</u>	<u>REMARKS</u>
1	22762	GRIP, HANDLE	2	
2	20774	COVER, PAD HANDLE	1	
4	12556	HANDLE, ADJUSTABLE	1	
6\$	21172	CABLE, THROTTLE 68"	1	
6A\$	21173	HOUSING, CABLE 63"	1	
8@	20389	HANDLE, QUICK-PITCH™	1	
9@	1746	TRIGGER, QP CHROMED	1	
11	1729	PIN, ROLL 3/16 X 1-1/4"	3	
12@	1706	SPRING, ENCLOSED QP CLAMP	1	
13@	20437	PIN, QP LATCH	1	
14	4568	PIN, ROLL 3/16 X 1"	1	
15	1711	SHAFT, CONTROL QP	1	
16	1719	BUSHING, PIVOT PLATE	1	
17>	20439	WHEEL ASSY., HAND	1	
18>	20438	SCREW, HHC 3/8-16 X 5.00"	1	
19+	1731	PIN, ROLL 1/4 X 3/4"	1	
20+	20443	ARM, SLIDE CONTROL	1	
21+	1709	CONNECTOR, QP CONTROL ARM	1	
22+	20269	LINKAGE, QP CONTROL	1	
23+	20276	PIN, ROLL 1/4 X 1-3/4"	1	
24	20856	SWITCH ASSY., CENTRIFUGAL STOP	1	INCLUDES ITEM W/ %
25%	1602	SCREW, RHM 10-24 X 3/8"	1	
26	20988	SCREW, FHSC PHILLIPS 8-32 X 1-1/4"	1	
27	20514	WIRE ASSY., CENTRIFUGAL STOP SWITCH	1	
28	20297	CABLE ASSEMBLY, QP CONTROL, 45"	1	
30	1715	SPRING, COUNTER BALANCE	1	
31	20270	BLOCK, QP ADJUSTMENT	1	
33	21017	SCREW, HHC 3/8-16 X 3-1/4"	1	
34	1662	TIE, CABLE, TY-RAP BLACK	1	
35#	20275	BLOCK, SUPPORT	1	
36#	1118	PULLEY, SUPPORT BLOCK	1	
37#	20279	PIN, SUPPORT BLOCK 3/8 X 1.59"	1	
38>	1493	SCREW, HHC 3/8-16 X 3-1/4"	1	
39	1737	SNAP RING, TRUARC #5100-50	1	
40	1733	WASHER, 1/2 X 1/32, HARDENED	2	

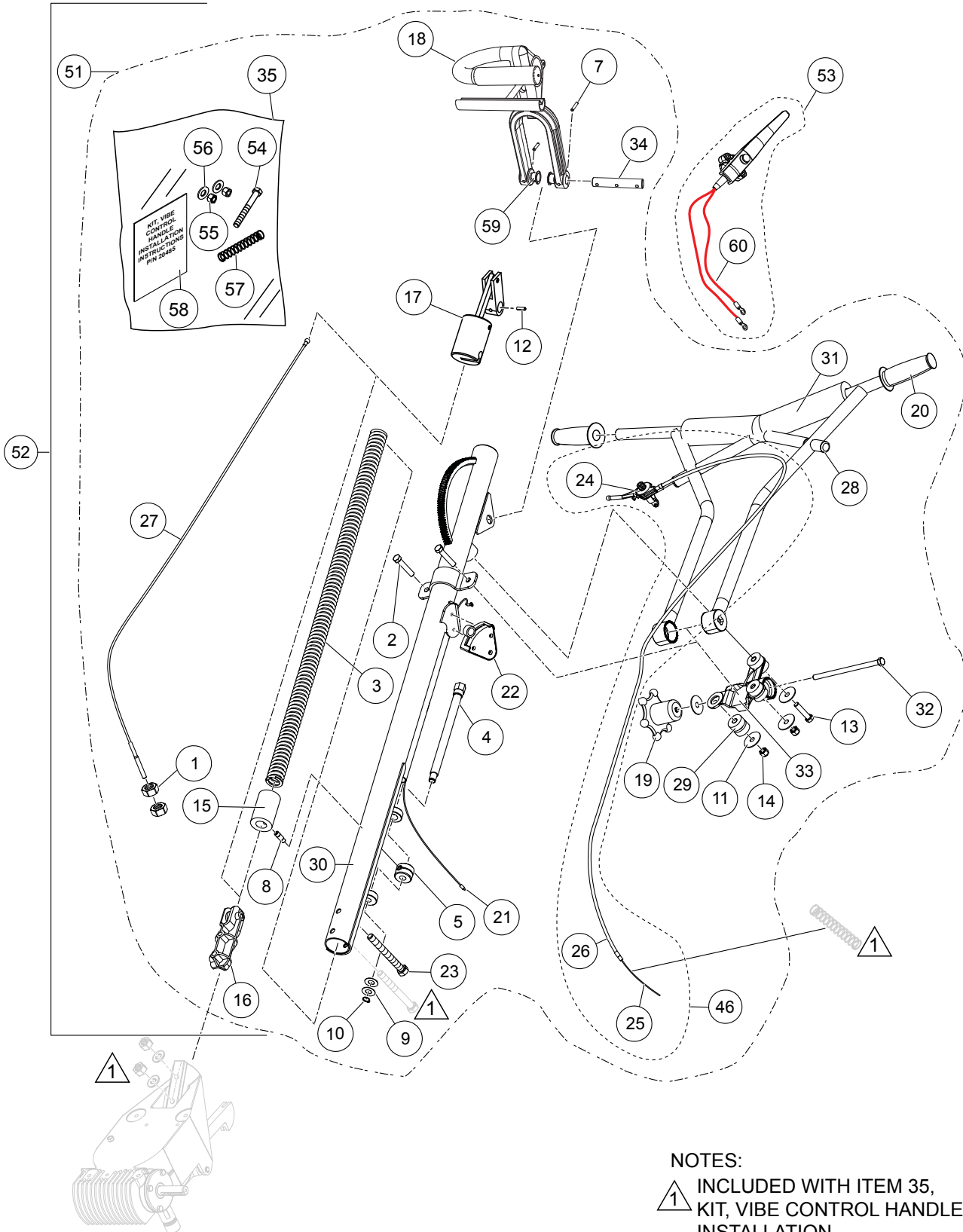
QUICK-PITCH HANDLE ASSY.



QUICK-PITCH HANDLE ASSY.

<u>NO.</u>	<u>PART NO.</u>	<u>PART NAME</u>	<u>QTY.</u>	<u>REMARKS</u>
42	1718	NUT, QP TRIM CONTROL ADJ.	1	
43	1732	BOLT, STRIPPER 3/8 X 1/2"	1	
44	1717	SCREW, QP TRIM ADJUSTMENT	1	
45	12642	TUBE, MAIN HANDLE	1	
47	20845	SWIVEL, ENGINE THROTTLE CABLE	1	HONDA ENGINE ONLY
50		HANDLE, LIFT ASSY.....	1	NO LONGER AVAILABLE
51>	20392	BRACKET, LIFT TUBE	1	
52>	10133	NUT, NYLOC 3/8"-16	1	
53	1116	NUT, BRASS JAM 5/16"-18	2	
54	20390	TRIGGER, QP ASSEMBLY	1	INCLUDES ITEMS W/@
55	20293	LINKAGE, QP CONTROL ASSY.....	1	INCLUDES ITEMS W/+
56	20280	BLOCK, CABLE ASSY.....	1	INCLUDES ITEMS W/#
57		HANDLE ASSEMBLY, MAIN	1	NO LONGER AVAILABLE
58	21243	THROTTLE KIT.....	1	INCLUDES ITEMS W/\$
59\$	22732	THROTTLE, LEVER	1	
60>	21746	SPRING, THROTTLE	1	
61>	3233	WASHER, FENDER 1.5 O.D X 3/8 ID.	1	
62	20493	KIT, INSTALLATION ADJUSTABLE HANDLE....	1	INCLUDES ITEMS W/>

QUICK-PITCH HANDLE ASSY. (VIBRATION CONTROL)

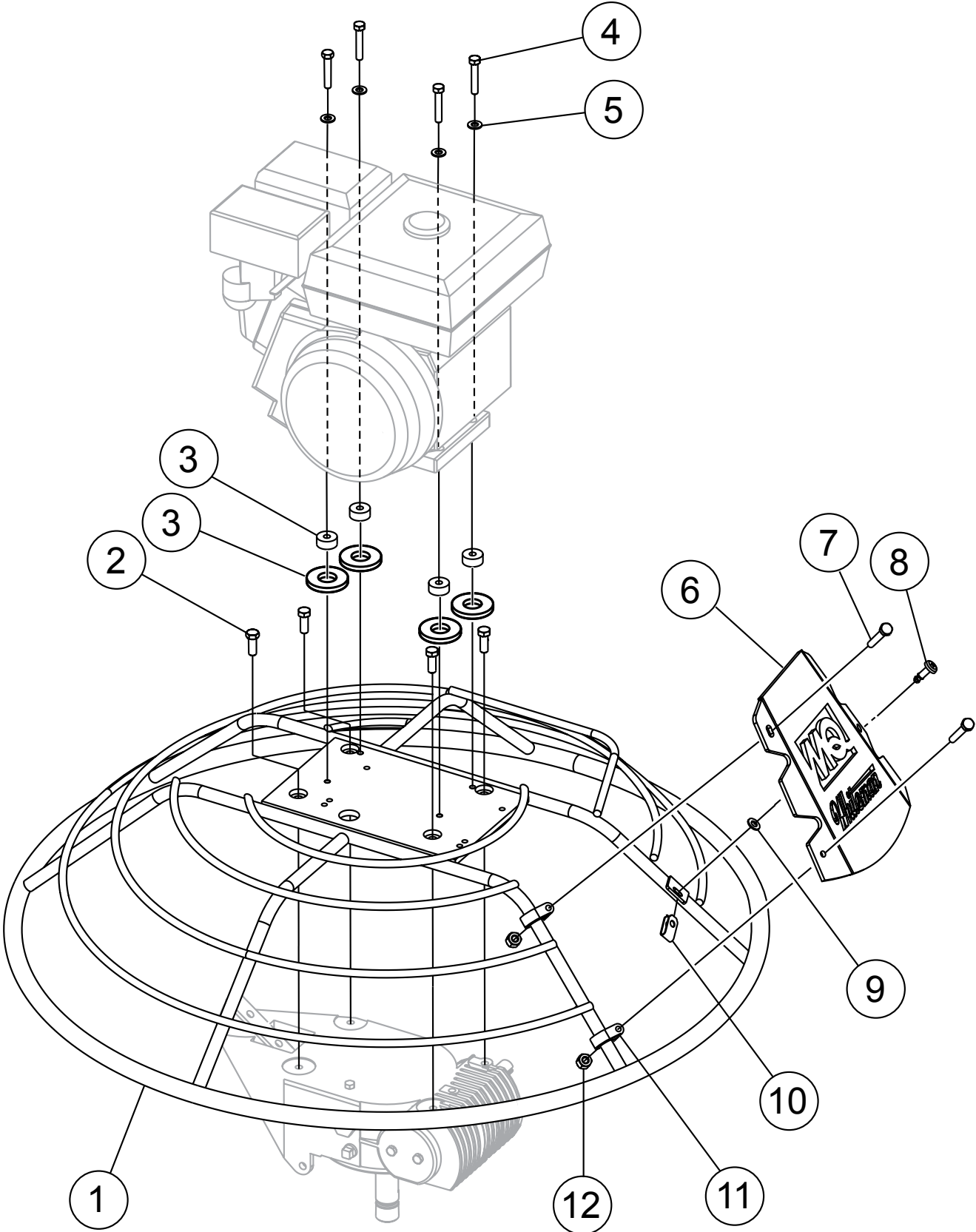


NOTES:
 1 INCLUDED WITH ITEM 35,
 KIT, VIBE CONTROL HANDLE
 INSTALLATION.

QUICK-PITCH HANDLE ASSY. (VIBRATION CONTROL)

<u>NO.</u>	<u>PART NO.</u>	<u>PART NAME</u>	<u>QTY.</u>	<u>REMARKS</u>
1#@	1116	NUT, BRASS JAM 5/16-18	2	
2#@	1665	SCREW, HHC 3/8-16 X 2"	2	
3#@	1715	Q.P. SPRING CENTER BALANCE	1	
4#@	1717	SCREW, Q.P. TRIM ADJUSTMENT	1	
5#@	1718	NUT, Q.P. TRIM CNTL ADJUSTMENT	1	
6#@	20389	HANDLE, QUICK PITCH	1	
7#@	1729	PIN, ROLL 3/16" X 1-1/4"	2	
8#@	1732	Q.P. ADJUSTMENT PIN	1	
9#@	1733	WASHER, 1/2" X 1/32"	2	
10#@	1737	RING, SNAP	1	
11#@	3233	WASHER, FENDER, 1.5" OD. X 3/8" ID.	4	
12#@	4568	PIN, ROLL 3/16" X 1"	1	
13#@	9154	SCREW, HHC 3/8-16 X 1 3/4"	1	
14#@	10133	NUT, NYLOC 3/8-16	2	
15#@	20270	Q.P. ADJUSTMENT BLOCK	1	
16#	20280	BLOCK, PITCH CONTROL	1	
17#@	20293	LINKAGE Q.P. CONTROL	1	
18#@	20390	TRIGGER, QP. ASSEMBLY	1	
19#@	20439	WHEEL ASSEMBLY, HAND	1	
20#@	22762	GRIP, HANDLE	2	
21#@	21953	WIRE ASSY., CENTRIF/PRESENCE SW.	1	
22#@	20856	SWITCH ASSY., CENTRIFUGAL STOP	1	
23#@	21017	SCREW, HHC 3/8-16 X 3.25" GRD 5	1	
24#@\$	22732	THROTTLE, LEVER	1	
25#@\$	21172	CABLE, THROTTLE 68"	1	
26#@\$	21173	HOUSING, CABLE 63"	1	
27#@	20297	CABLE ASSEMBLY, 45"	1	
28#@	22055	HANDLE W/A, VIBRATION CONTROL	1	
29#@	22059	ISOLATOR, VIB. 80 DUROMETER	3	
30#@	22060	MAIN HANDLE W/A, QP. VIBE CONTROL	1	
31#@	22166	COVER, VIBE CONTROL HANDLE PAD	1	
32#@	22167	SCREW, HHC 3/8-16 X 6.5" GRD 5	1	
33#@	22206	CHASSIS, CAST VIBRATION ISOLATOR	1	REPLACES P/N 22056
34#@	1711	SHAFT, CONTROL QP.	1	
35#@	22100	KIT, VIBE CTRL. HANDLE INSTALLATION	1	INCLUDES ITEMS W/ %
46#@	21243	KIT, THROTTLE REPLACEMENT	1	INCLUDES ITEMS W / \$
51#	QXH	HANDLE ASSY, HD QP VIBE CONTROL	1	INCLUDES ITEMS W/ @
52@	QXHP	HANDLE ASSY., QP. OP. PRESENCE	1	INCLUDES ITEMS W/ #
53#@	21688	KIT, OPERATOR PRESENCE SWITCH	1	INCLUDES ITEM W/ &
54#@%	1493	SCREW, HHC, 3/8-16 X 3-1/4"	1	
55#@%	10133	NUT, NYLOC 3/8-16	2	
56#@%	10136	WASHER, FLAT, SAE 3/8"	2	
57#@%	21746	SPRING, 0.42 OD X 2.5L, THROTTLE RTN.	1	
58#@%	20485	KIT, VIBE CONTROL HANDLE INSTRUCT	1	
59#@	1719	BUSHING, PIVOT PLATE	2	
60&	21953	WIRE ASSY., CENTRIF/PRESENCE SW.	1	

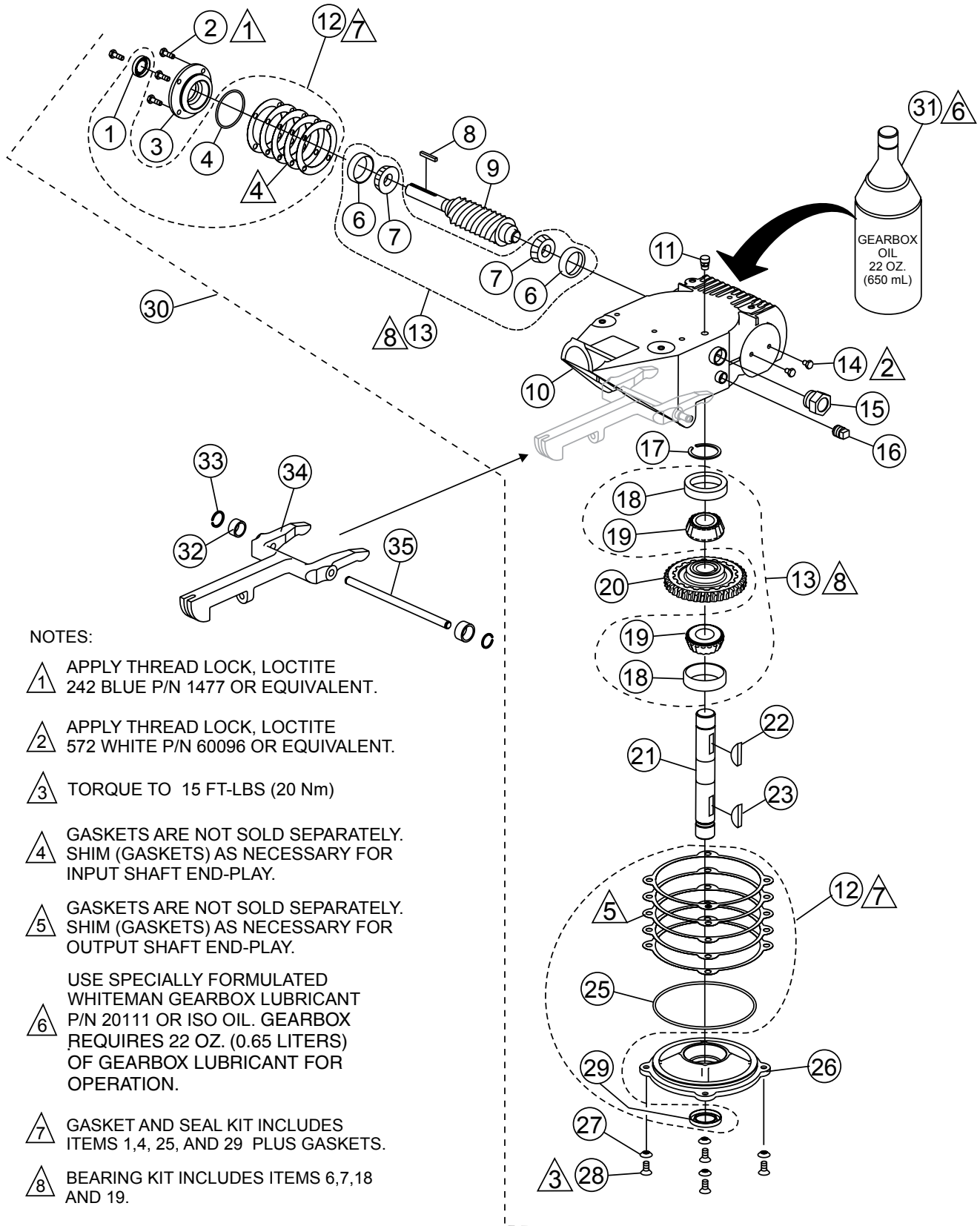
GUARD ASSY.



GUARD ASSY.

<u>NO.</u>	<u>PART NO.</u>	<u>PART NAME</u>	<u>QTY.</u>	<u>REMARKS</u>
1	21965	GUARD RING	1.....	ALL J36 SERIES TROWELS
1	21886	GUARD RING	1.....	M30H55 TROWEL
2	0205	SCREW, HHC 3/8 - 16 X 1.0"	4	
3	21996	SPACER, 1.00 OD X .328 ID X .438 THK.....	4.....	J36H55, J36R60, J36S60, M30H55
3	13351	WASHER, FLAT, 3/8 EXT THICK HIGH STR.....	4.....	J36H90, J36H90H, J36R90
4	22024	SCREW, HHC 5/16 - 24 X 1-3/4" GRD 5 ZINC..	4.....	J36H55, J36R60, J36S60, M30H55
4	1391	SCREW, HHC 5/16-24 X 1-1/2" ZINC.....	4.....	J36H90, J36H90H, J36R90
5	933241	WASHER, FLAT SAE 5/16 GRD 9YZ	4	
6	21880	ACCESS PANEL, GUARD RING	1	
7	26250	SCREW, HHC 1/4-20 X 1-3/4"	2	
8	21893	SCREW, FAST LEAD	1	
9	21986	WASHER, FAST LEAD STAINLESS	1	
10	21894	CLIP, FAST LEAD	1	
11	21922	CLAMP, 0.625" ID PIPE	2	
12	10024	NUT, NYLOC 1/4-20	2	

GEARBOX ASSY.



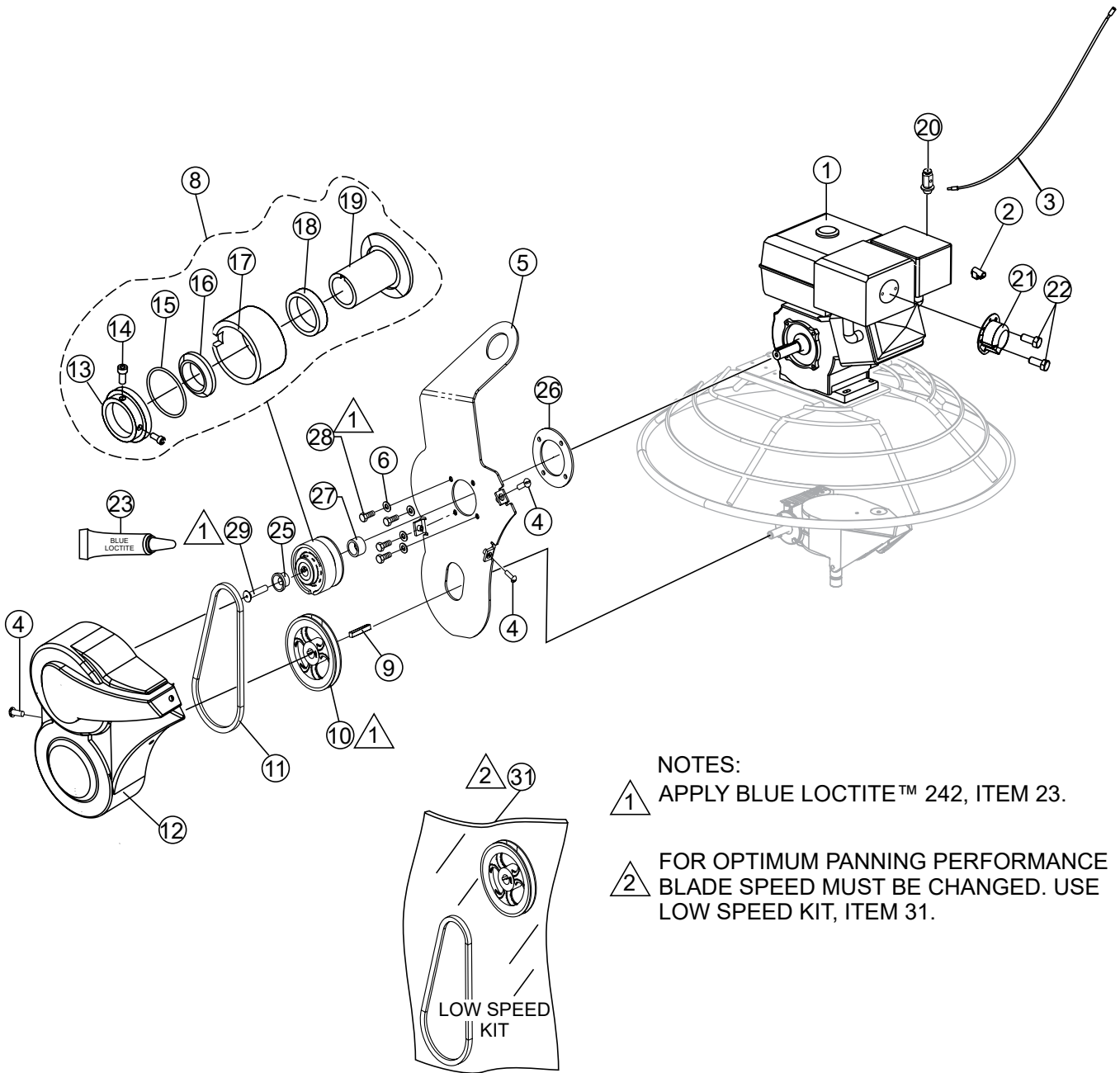
NOTES:

- ▲1 APPLY THREAD LOCK, LOCTITE 242 BLUE P/N 1477 OR EQUIVALENT.
- ▲2 APPLY THREAD LOCK, LOCTITE 572 WHITE P/N 60096 OR EQUIVALENT.
- ▲3 TORQUE TO 15 FT-LBS (20 Nm)
- ▲4 GASKETS ARE NOT SOLD SEPARATELY. SHIM (GASKETS) AS NECESSARY FOR INPUT SHAFT END-PLAY.
- ▲5 GASKETS ARE NOT SOLD SEPARATELY. SHIM (GASKETS) AS NECESSARY FOR OUTPUT SHAFT END-PLAY.
- ▲6 USE SPECIALLY FORMULATED WHITEMAN GEARBOX LUBRICANT P/N 20111 OR ISO OIL. GEARBOX REQUIRES 22 OZ. (0.65 LITERS) OF GEARBOX LUBRICANT FOR OPERATION.
- ▲7 GASKET AND SEAL KIT INCLUDES ITEMS 1,4, 25, AND 29 PLUS GASKETS.
- ▲8 BEARING KIT INCLUDES ITEMS 6,7,18 AND 19.

GEARBOX ASSY.

<u>NO.</u>	<u>PART NO.</u>	<u>PART NAME</u>	<u>QTY.</u>	<u>REMARKS</u>
1%\$	0753	SEAL, OIL	1	
2%	0131 A	SCREW, HHC 1/4-20 X 3/4"	4	
3%	12876	FLANGE, INPUT SHAFT	1	
4%\$	20395	O-RING, 2" 8032 N	1	
6%#	20466	BEARING, CUP, TIMKEN #M11910	2	
7%#	20465	BEARING, CONE, TIMKEN #LM11949	2	
8%	0627	KEY, SQUARE 3/16 X 1-1/4	1	
9%	1851	GEAR, WORM "B" INPUT SHAFT	1	
10%	12874	CASE, WORM GEAR MACHINED	1	
11%	21218	VENT, AIR	1	
12	21046	GASKET/SEAL KIT.....	1	INCLUDES ITEMS W/\$
13	21047	BEARING KIT.....	1	INCLUDES ITEMS W/#
14%	20476	SCREW, HHC 1/4-28 X 3/8"	2	
15%	21033	SIGHT GLASS, 3/4 M PIPE STEEL	1	
16%	0121 A	FITTING, PLUG 3/8 MP SQ HEAD	1	
17%	1138	RING, SNAP, TRUARC 5100-112	1	
18%#	20475	BEARING, CUP TIMKEN #M86610	2	
19%#	20474	BEARING, CONE TIMKEN #M86647	2	
20%	1140	GEAR, WORM, COMPOSITE	1	
21%	20470	SHAFT, OUTPUT	1	
22%	1139	KEY, WOODRUFF #810	1	
23%	1238	KEY, WOODRUFF #25	1	
25%\$	20396	O-RING, 254 BUNA N	1	
26%	12875	COVER, GEARBOX	1	
27%	10235	WASHER, C/S EXT. SHKP	4	
28%	20875	SCREW, FHSC 5/16-18 X 3/4"	4	
29%\$	0254	SEAL, OIL	1	
30	20407	GEARBOX ASSY.	1	INCLUDES ITEMS W/%
31	20111	GEARBOX OIL CETUS HIPERSYN 460., 22OZ	2	
32	22292	SPACER, 1/2" X .406 X 1/4" UNTREATED	2	
33	20802	RING, SNAP TRUARC 5100-37	2	
34	1150	YOKE ARM	1	
35	20801	PIN, YOKE	1	

ENGINE ASSY.

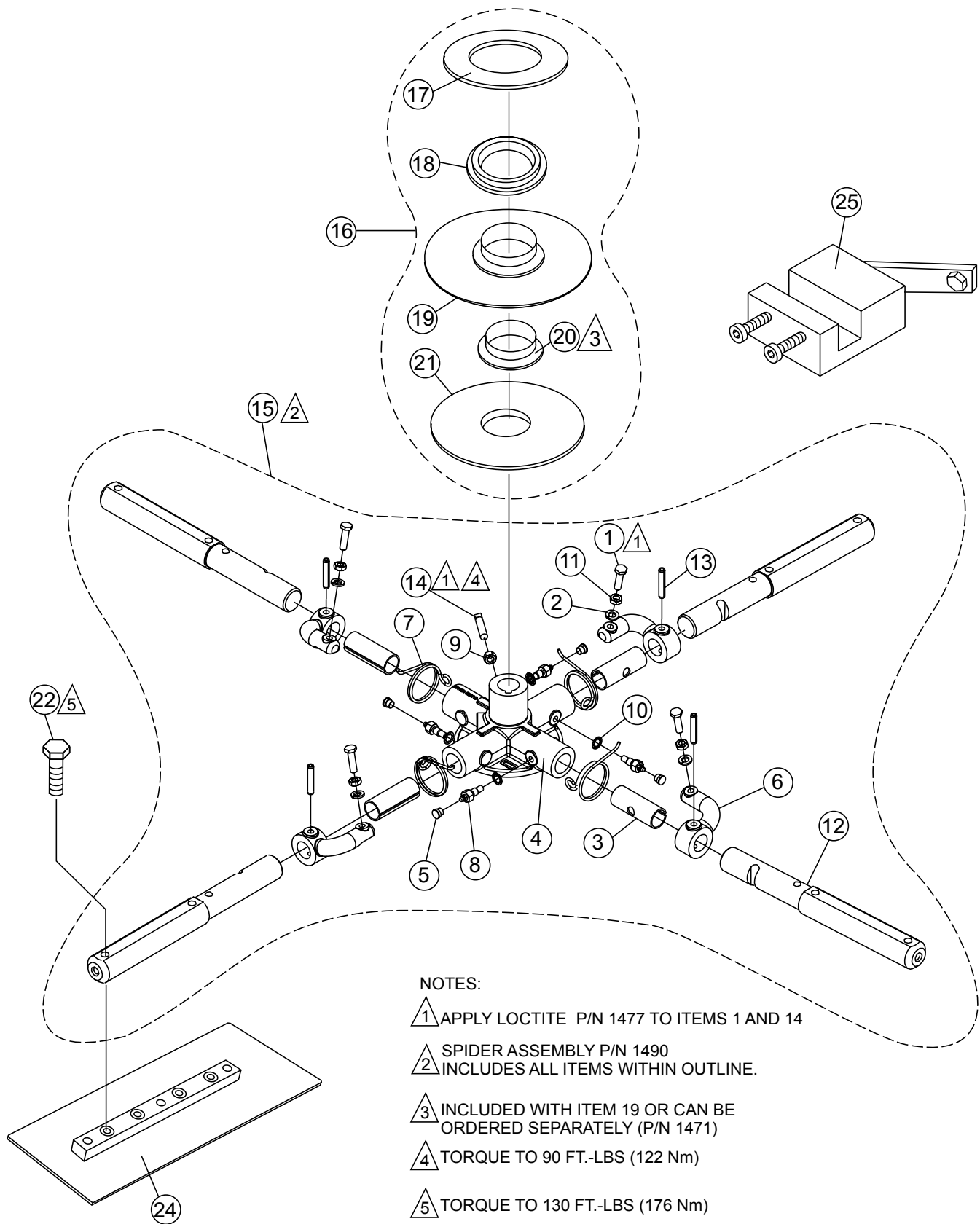


- NOTES:
- 1 APPLY BLUE LOCTITE™ 242, ITEM 23.
 - 2 FOR OPTIMUM PANNING PERFORMANCE BLADE SPEED MUST BE CHANGED. USE LOW SPEED KIT, ITEM 31.

ENGINE ASSY.

<u>NO.</u>	<u>PART NO.</u>	<u>PART NAME</u>	<u>QTY.</u>	<u>REMARKS</u>
1	22995	ENGINE, SUBARU, EX170DM2231, 5.7 HP	1	J36S60
1	21563	ENGINE, ROBIN, EX170D50040, 6.0 HP	1	NO LONGER AVAILABLE, J36R60
1	21669	ENGINE, ROBIN, EX270D50020, 9.0 HP	1	NO LONGER AVAILABLE, J36R90
				J36R90H
1	22901	ENGINE, HONDA, GX160UT2QX2, 5.5 HP	1	J36H55, M30H55
1	22623	ENGINE, HONDA GX270UT2QA2, 9 H.P.	1	J36H90, J36H90H
2	1475	CONNECTOR, SPLICE TAP	1	
3	1488	WIRE, SAFETY SWITCH	1	
4	30119	SCREW, 1/4- 20 X 7/8" IND HEX, DOG PT	3	
5	21988	LIFTING BALE ASSEMBLY	1	J36H55, J36S60
5	21984	LIFTING BALE ASSEMBLY	1	J36H90, J36H90H
6	933241	WASHER, FLAT SAE 5/16" RD 9 YZ	4	
8	0255	CLUTCH, ASSY. 3/4" BORE	1	J36H55, J36R60, J36S60, M30H55
				INCLUDES ITEMS W/ @
8	0250	CLUTCH, AUTO ASSY. 1" BORE	1	J36H90, J36H90H, J36R90, J36R90H
				INCLUDES ITEMS W/ #
9	0627	KEY, SQ 3/16 X 1-1/4"	1	
10	21994	PULLEY AK-59 X 3/4" (60-130 RPM)	1	J36H55, J36R60, J36S60, M30H55
10	11049	PULLEY AK-49 X 3/4" (HIGH SPEED)	1	J36H90H, J36R90H
11%	0152 3	V-BELT, A28, GATES HP-II	1	J36R60, J36S60, M30H55, J36H55
11	1243	V-BELT, A27, GATES HP-II	1	J36H90, J36H90H, J36R90H
12	30112	KIT, BELT GUARD W/DECALS	1	ALL J-SERIES TROWELS
12	30102-001	BELT GUARD	1	M30H55
13@#	0253	CLUTCH PLATE	1	
14@#	1868	SCREW, SHS 3/8-24 X 3/4"	2	
15@#	0855	SPRING, CLUTCH .156 X 5.375 X .025	1	
16@#	B1766	WEIGHT, AUTOMATIC CLUTCH	4	
17@#	0251	DRUM, CENTRIFUGAL CLUTCH	1	
18@#	0456	BEARING, SHIELDED	1	
19@	21307	SPINDLE, CLUTCH 3/4" BORE	1	
19#	0252	SPINDLE, CLUTCH 1.00" BORE	1	
20	20845	SWIVEL ASSEMBLY	1	
21	1834	DEFLECTOR	1	HONDA MODELS ONLY
22	1273	SCREW, HHST 8-32 X 3/8"	1	
23	1477	LOCTITE™ #242, BLUE	1	
25	1406	PLUG, END (CLUTCH)	1	USED W/ P/N 0255, ITEM 8 ONLY
26	21915	SPACER PLATE, LIFTING BAIL	1	J36H55, J36S60
27	21679	SPACER, 1" X .78 X .69L	1	
28	10229	SCREW, HHC 5/16-24 X 1"	4	
29	21678	SCREW, FHSC 5/16-24 X 1-3/4"	1	USED W/ P/N 0255, ITEM 8 ONLY
31	LOWSPEEDKITJB	LOW SPEED KIT	1	

SPIDER ASSY.



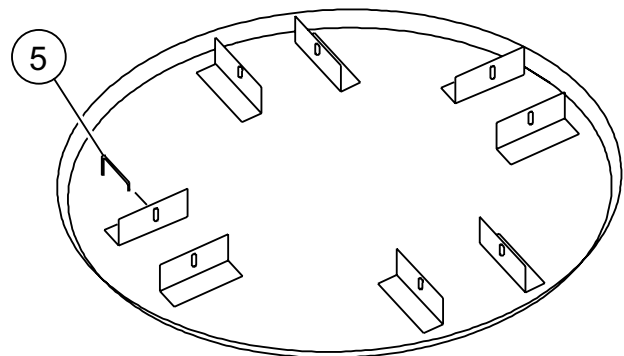
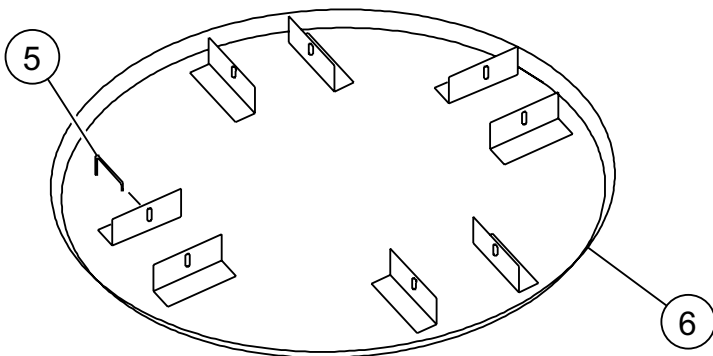
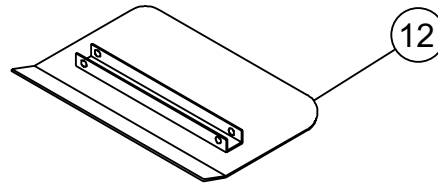
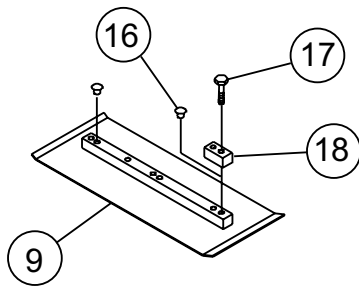
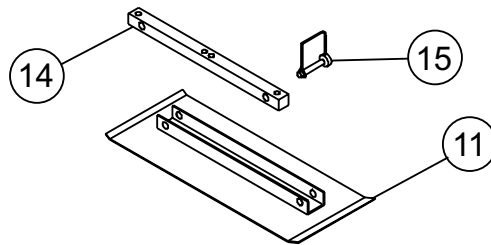
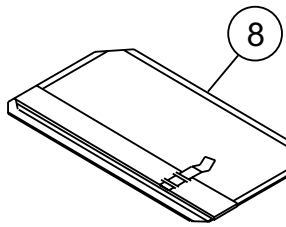
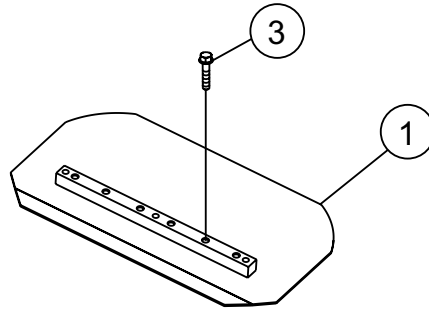
NOTES:

- ▲1 APPLY LOCTITE P/N 1477 TO ITEMS 1 AND 14
- ▲2 SPIDER ASSEMBLY P/N 1490
INCLUDES ALL ITEMS WITHIN OUTLINE.
- ▲3 INCLUDED WITH ITEM 19 OR CAN BE
ORDERED SEPARATELY (P/N 1471)
- ▲4 TORQUE TO 90 FT.-LBS (122 Nm)
- ▲5 TORQUE TO 130 FT.-LBS (176 Nm)

SPIDER ASSY.

<u>NO.</u>	<u>PART NO.</u>	<u>PART NAME</u>	<u>QTY.</u>	<u>REMARKS</u>
1%	0164 B	RADIUS HEAD 3/8-16, FULL THREAD	4	
2%	0166 A	LOCK WASHER 3/8" MED.	4	
3%	1157 A	BUSHING, TROWEL ARM	4	
4%	1161	SPIDER PLATE	1	
5%	1162 A	CAP, GREASE ZERK #2 YELLOW	4	
6%	1163	LEVER, TROWEL ARM RIGHT HAND	4	
7%	1316	SPRING, LS ARM RETURN	4	
8%	1322	RETAINING SCREW ASSEMBLY	4	
9%	1456	NUT, HEX FINISH 3/8-16	1	
10%	1875	WASHER, INT. SHKP. 3/8"	4	
11%	1876	NUT, HEX JAM 3/8-16 CLASS 2B	4	
12%	2826	ARM, J FINISHER, EXTENDED	4	
13%	4164	ROLL PIN 5/16" X 1-3/4"	4	
14%	12097	SCREW, SQHS 3/8-16 X 1-3/4" CONE GRD 8	1	
15	1215	SPIDER PLATE ASSEMBLY.....	1	INCLUDES ITEMS W/%
16	10968	KIT, THRUST BEARING	1	INCLUDES ITEMS W/\$
17\$	12208	WEAR RING	1	
18\$	12778	FLANGE BEARING	1	
19\$	10793	THRUST COLLAR	1	INCLUDES ITEMS W/#
20\$#	1471	THRUST COLLAR BUSHING	1	
21\$	1154 A	WEAR PLATE	1	
22	23647	KIT, BOLT SAE BLADE FINISHERS	1	
23	0161 C	WASHER, LOCK 5/16"	12	
24	C844	BLADE ASSEMBLY	4	
25	1817	TOOL, TROWEL ARM ADJUST. FIXTURE	1	

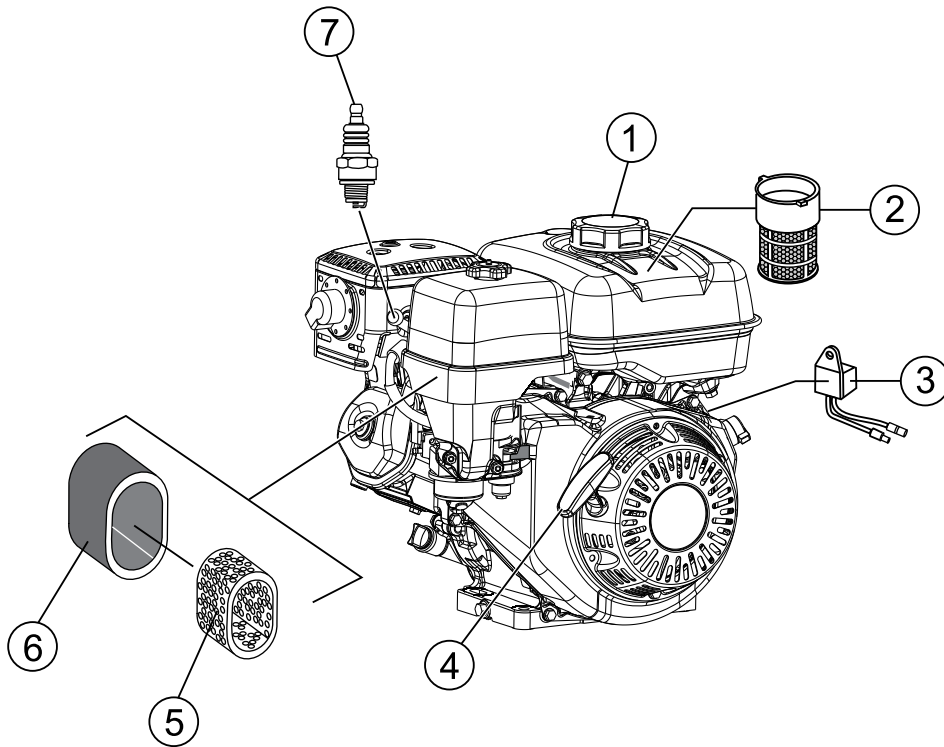
BLADE ASSY.



BLADE ASSY.

<u>NO.</u>	<u>PART NO.</u>	<u>PART NAME</u>	<u>QTY.</u>	<u>REMARKS</u>
1	C844	TROWEL BLADE, 8 X 14, COMBO	4	
3	21906	SCREW, HHFS 5/16-18 X 1-1/2" GRD 5.....	8.....	ALL BLADES
5	20646	FLOAT DISC LATCH PIN	4	
6	2870	FLOAT PAN, 36-INCH	1	
8	CL945	FLOAT BLADE, 10 X 14 CLIP-ON	4	
9	F10900	ENDURO FINISH BLADE 6 X 14	4	
11	QF10872	ENDURO QUICK CH.FINISH BLADE, 6 X 14	4	
12	QC1871	QUICK CHANGE COMBO BLADE, 8 X 14	4	
14	QB1857	UNIVERSAL MOUNTING BAR	4	
15	QS1869	SNAP PIN 1/4" X 1-3/4"	8	
16	1434	PLUG, BLADE (NIAG#236-X-1AH1)	4	
17	0202	SCREW, HHCS 5/16-18 X 1" RING	4	
18	0201	GUARD RING LUG	4	

ENGINE SERVICE PARTS (HONDA)



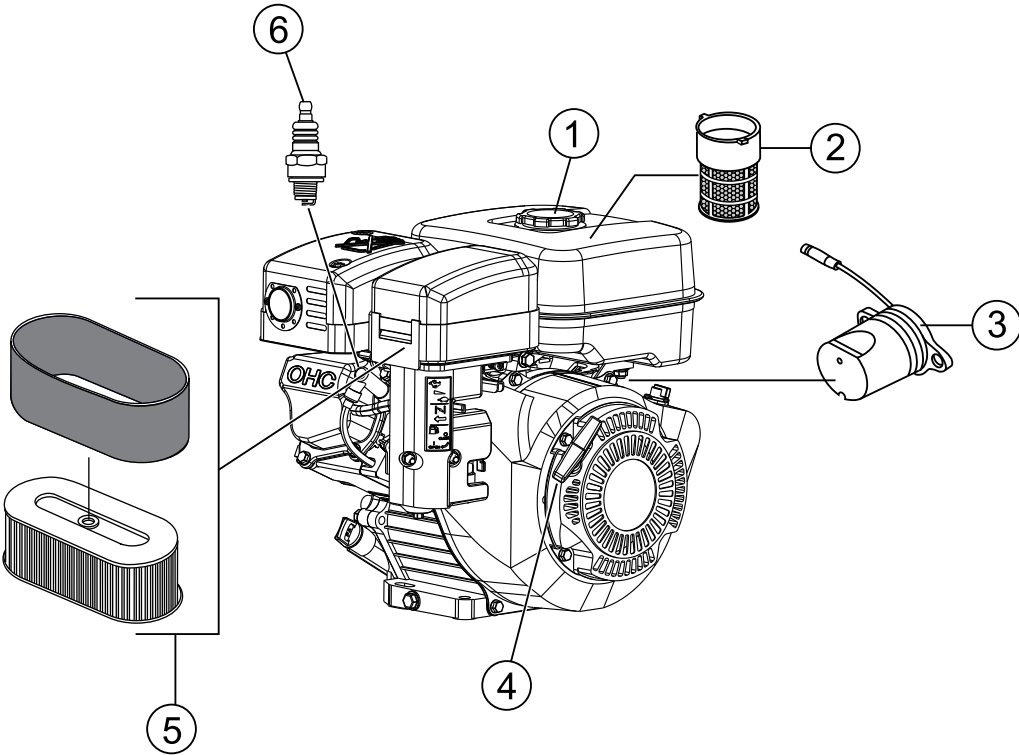
ENGINE SERVICE PARTS (HONDA)

<u>NO.</u>	<u>PART NO.</u>	<u>PART NAME</u>	<u>QTY.</u>	<u>REMARKS</u>
1	17620Z4H030	CAP, FUEL TANK, CHROME PLATED	1	
2◇	17672Z4H000	FUEL FILTER	1	
3	34150ZH7013	ALERT UNIT, OIL	1	
4◆	28462ZH8003	ROPE, RECOIL STARTER	1	
4◇	28462ZE2W01	ROPE, RECOIL STARTER	1	
5◆	17210ZE1517	ELEMENT, AIR CLEANER	1	
5◇	17210ZE2515	ELEMENT, AIR CLEANER	1	
6◆	17218ZE1507	OUTER FOAM FILTER	1	
6◇	17218ZE2505	OUTER FOAM FILTER	1	
7	9807955846	SPARK PLUG, BPR5ES (NGK)	1	

NOTICE

- ◆ HONDA GX160UT1QX2/GX160UT2QX2
- ◇ HONDA GX270UT2QA2

ENGINE SERVICE PARTS (ROBIN/SUBARU)



ENGINE SERVICE PARTS (ROBIN/SUBARU)

NO.	PART NO.	PART NAME	QTY.	REMARKS
1◆	0430440050	CAP, FUEL TANK	1	
1◇	X430440143	CAP, FUEL TANK	1	
2◆	0641360010	FUEL FILTER	1	
2◇	X0641360010	FUEL FILTER	1	
3◆	2777630101	ALERT UNIT, OIL	1	
3◆	2797630121	ALERT UNIT, OIL	1	
4◆	2695011208	ROPE, RECOIL STARTER	1	
4◇	2825011118	ROPE, RECOIL STARTER	1	
4◆	2795011008	ROPE, RECOIL STARTER	1	
5◆◇	2773261107	ELEMNT., AIR CLEANER W/OUTER FOAM	1	
5◆	2793260707	ELEMNT., AIR CLEANER W/OUTER FOAM	1	
6◆◆	0650140150	SPARK PLUG, BR6HS (NGK)	1	
6◇	X650143050	SPARK PLUG, BR6HS (NGK)	1	

NOTICE

◆ ROBIN EX170D50040

◇ SUBARU EX170DM2230/EX170DM2231

◆ ROBIN EX270D50020

TERMS AND CONDITIONS OF SALE — PARTS

PAYMENT TERMS

Terms of payment for parts are net 30 days.

FREIGHT POLICY

All parts orders will be shipped collect or prepaid with the charges added to the invoice. All shipments are F.O.B. point of origin. Multiquip's responsibility ceases when a signed manifest has been obtained from the carrier, and any claim for shortage or damage must be settled between the consignee and the carrier.

MINIMUM ORDER

The minimum charge for orders from Multiquip is \$15.00 net. Customers will be asked for instructions regarding handling of orders not meeting this requirement.

RETURNED GOODS POLICY

Return shipments will be accepted and credit will be allowed, subject to the following provisions:

1. A Returned Material Authorization must be approved by Multiquip prior to shipment.
2. To obtain a Return Material Authorization, a list must be provided to Multiquip Parts Sales that defines item numbers, quantities, and descriptions of the items to be returned.
 - a. The parts numbers and descriptions must match the current parts price list.
 - b. The list must be typed or computer generated.
 - c. The list must state the reason(s) for the return.
 - d. The list must reference the sales order(s) or invoice(s) under which the items were originally purchased.
 - e. The list must include the name and phone number of the person requesting the RMA.
3. A copy of the Return Material Authorization must accompany the return shipment.
4. Freight is at the sender's expense. All parts must be returned freight prepaid to Multiquip's designated receiving point.

5. Parts must be in new and resalable condition, in the original Multiquip package (if any), and with Multiquip part numbers clearly marked.
6. The following items are not returnable:
 - a. Obsolete parts. (If an item is in the price book and shows as being replaced by another item, it is obsolete.)
 - b. Any parts with a limited shelf life (such as gaskets, seals, "O" rings, and other rubber parts) that were purchased more than six months prior to the return date.
 - c. Any line item with an extended dealer net price of less than \$5.00.
 - d. Special order items.
 - e. Electrical components.
 - f. Paint, chemicals, and lubricants.
 - g. Decals and paper products.
 - h. Items purchased in kits.
7. The sender will be notified of any material received that is not acceptable.
8. Such material will be held for five working days from notification, pending instructions. If a reply is not received within five days, the material will be returned to the sender at his expense.
9. Credit on returned parts will be issued at dealer net price at time of the original purchase, less a 15% restocking charge.
10. In cases where an item is accepted, for which the original purchase document can not be determined, the price will be based on the list price that was effective twelve months prior to the RMA date.
11. Credit issued will be applied to future purchases only.

PRICING AND REBATES

Prices are subject to change without prior notice. Price changes are effective on a specific date and all orders received on or after that date will be billed at the revised price. Rebates for price declines and added charges for price increases will not be made for stock on hand at the time of any price change.

Multiquip reserves the right to quote and sell direct to Government agencies, and to Original Equipment Manufacturer accounts who use our products as integral parts of their own products.

SPECIAL EXPEDITING SERVICE

A \$35.00 surcharge will be added to the invoice for special handling including bus shipments, insured parcel post or in cases where Multiquip must personally deliver the parts to the carrier.

LIMITATIONS OF SELLER'S LIABILITY

Multiquip shall not be liable hereunder for damages in excess of the purchase price of the item with respect to which damages are claimed, and in no event shall Multiquip be liable for loss of profit or good will or for any other special, consequential or incidental damages.

LIMITATION OF WARRANTIES

No warranties, express or implied, are made in connection with the sale of parts or trade accessories nor as to any engine not manufactured by Multiquip. Such warranties made in connection with the sale of new, complete units are made exclusively by a statement of warranty packaged with such units, and Multiquip neither assumes nor authorizes any person to assume for it any other obligation or liability whatever in connection with the sale of its products. Apart from such written statement of warranty, there are no warranties, express, implied or statutory, which extend beyond the description of the products on the face hereof.

Effective: February 22, 2006

PARTS MANUAL

HERE'S HOW TO GET HELP

PLEASE HAVE THE MODEL AND SERIAL
NUMBER ON-HAND WHEN CALLING

UNITED STATES

Multiquip Corporate Office

18910 Wilmington Ave.
Carson, CA 90746
Contact: mq@multiquip.com

Tel. (800) 421-1244
Fax (310) 537-3927

Service Department

800-421-1244
310-537-3700

Fax: 310-537-4259

Technical Assistance

800-478-1244

Fax: 310-943-2238

MQ Parts Department

800-427-1244
310-537-3700

Fax: 800-672-7877
Fax: 310-637-3284

Warranty Department

800-421-1244
310-537-3700

Fax: 310-943-2249

CANADA

Multiquip

4110 Industriel Boul.
Laval, Quebec, Canada H7L 6V3
Contact: jmartin@multiquip.com

Tel: (450) 625-2244
Tel: (877) 963-4411
Fax: (450) 625-8664

UNITED KINGDOM

Multiquip (UK) Limited Head Office

Unit 2, Northpoint Industrial Estate,
Globe Lane,
Dukinfield, Cheshire SK16 4UJ
Contact: sales@multiquip.co.uk

Tel: 0161 339 2223
Fax: 0161 339 3226

© COPYRIGHT 2017, MULTIQUIP INC.

Multiquip Inc, the MQ logo are registered trademarks of Multiquip Inc. and may not be used, reproduced, or altered without written permission. All other trademarks are the property of their respective owners and used with permission.

This manual MUST accompany the equipment at all times. This manual is considered a permanent part of the equipment and should remain with the unit if resold.

The information and specifications included in this publication were in effect at the time of approval for printing. Illustrations, descriptions, references and technical data contained in this manual are for guidance only and may not be considered as binding. Multiquip Inc. reserves the right to discontinue or change specifications, design or the information published in this publication at any time without notice and without incurring any obligations.

Your Local Dealer is:



PN: 13400