

PARTS MANUAL



***WHITEMAN* SERIES** **MODEL HTXD6i** **HYDRAULIC RIDE-ON TROWEL** **(YANMAR 4TNV84T-Z-DSA2 DIESEL ENGINE)**

Revision #2 (10/21/13)

To find the latest revision of this
publication, visit our website at:
www.multiquip.com



THIS MANUAL MUST ACCOMPANY THE EQUIPMENT AT ALL TIMES.

PN: 32070

TABLE OF CONTENTS

HTXD6i Ride-On Trowel

Table Of Contents.....	2
Parts Ordering Procedures.....	3
Explanation Of Code In Remarks Column.....	4
Suggested Spare Parts ²	5

Component Drawings

Nameplate And Decals Assy.....	6-7
Frame Assy.....	8-9
Light Assy.....	10-11
Front And Side Guard Assy.....	12-13
Left Front Panel Assy.....	14-15
Right Front Panel Assy.....	16-7
Rear Panel Assy.....	18-19
Platform Assy.....	20-21
Seat Frame Assy.....	22-23
Indicators - Switches - Meter Assy.....	24-25
Controller Assy.....	26-27
Relays - Fuses Assy.....	28-29
Pivot Assy.....	30-31
Hydraulic Steering Assy.....	32-33
Hydraulic Cylinder Assy.....	34-35
Hydraulic Cooler Assy.....	36-37
Pump Assy. Complete.....	38-39
Pump Mounting Bracket Assy.....	40-41
Pump Fittings Assy.....	42-43
Pump Levers Assy.....	44-45
Pump Stroker Mount Assy.....	46-47

Hydraulic Hose Kit Assy. Complete	48-49
Hyd. Hose Assy. (Pitch Block Ports P0-P1)	50-51
Hyd. Hose Assy. (Pitch Block Ports C1~C4).....	52-53
Hyd. Hose Assy. (LH-RH Steering Valves #1)...	54-55
Hyd. Hose Assy. (LH-RH Steering Valves #2)...	56-57
Hyd. Hose Assy. (Pitch Blk SP-T3/Hyd. Motor) .	58-59
Hyd. Hose Assy. (Burp Tank/Filter/Valves).....	60-61
Hyd. Hose Assy. (Pitch Block/Cooler/ Pump)....	62-63
Pitch Block Assy.....	64-65
Hydraulic Test Port Hoses Assy.	66-67
Burp Tank Assy.....	68-69
Suction Filter Assy.....	70-71
Test Port Assy.....	72-73
Left-Hand Valve Assy.....	74-75
Right-Hand Valve Assy.....	76-77
Stabilizer Assy.....	78-79
6-Blade Spider Assy. (Left-Side).....	80-81
6-Blade Spider Assy. (Right-Side)	82-83
Spray Assy.....	84-85
Engine Mounting Assy.....	86-87
Engine Components And Radiator Assy.....	88-89
Air Cleaner And Exhaust Assy.....	90-91
Water Pump, Fan, V-Belt Assy.....	92-93
Fuel System Assy.....	94-95
Battery Assy.....	96-97
Radiator Mounting Hardware.....	98-99
Harness Assy.....	100-101

Terms And Conditions Of Sale — Parts	102
--	-----

NOTICE

Specifications and part numbers are subject to change without notice.

PARTS ORDERING PROCEDURES

Ordering parts has never been easier! Choose from three easy options:

Effective:
January 1st, 2006

www.multiquip.com



Order via Internet (Dealers Only):

Order parts on-line using Multiquip's SmartEquip website!

- View Parts Diagrams
- Order Parts
- Print Specification Information



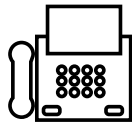
If you have an MQ Account, to obtain a Username and Password, E-mail us at: parts@multiquip.com.

To obtain an MQ Account, contact your District Sales Manager for more information.

Goto www.multiquip.com and click on **Order Parts** to log in and save!

Use the **internet** and qualify for a **5% Discount** on *Standard orders* for all orders which include complete part numbers.*

Note: Discounts Are Subject To Change



Order via Fax (Dealers Only):

All customers are welcome to order parts via Fax.

Domestic (US) Customers dial:
1-800-6-PARTS-7 (800-672-7877)

Fax your order in and qualify for a **2% Discount** on *Standard orders* for all orders which include complete part numbers.*

Note: Discounts Are Subject To Change



Order via Phone: Domestic (US) Dealers Call:
1-800-427-1244

Non-Dealer Customers:

Contact your local Multiquip Dealer for parts or call 800-427-1244 for help in locating a dealer near you.



International Customers should contact their local Multiquip Representatives for Parts Ordering information.

When ordering parts, please supply:

- | | |
|---|--|
| <input type="checkbox"/> Dealer Account Number | <input type="checkbox"/> Specify Preferred Method of Shipment: |
| <input type="checkbox"/> Dealer Name and Address | <input checked="" type="checkbox"/> UPS/Fed Ex <input checked="" type="checkbox"/> DHL |
| <input type="checkbox"/> Shipping Address (if different than billing address) | <input type="checkbox"/> Priority One <input checked="" type="checkbox"/> Truck |
| <input type="checkbox"/> Return Fax Number | <input type="checkbox"/> Ground |
| <input type="checkbox"/> Applicable Model Number | <input type="checkbox"/> Next Day |
| <input type="checkbox"/> Quantity, Part Number and Description of Each Part | <input type="checkbox"/> Second/Third Day |

NOTICE

All orders are treated as *Standard Orders* and will ship the same day if received prior to 3PM PST.

WE ACCEPT ALL MAJOR CREDIT CARDS!



EXPLANATION OF CODE IN REMARKS COLUMN

The following section explains the different symbols and remarks used in the Parts section of this manual. Use the help numbers found on the back page of the manual if there are any questions.

NOTICE

The contents and part numbers listed in the parts section are subject to change **without notice**. Multiquip does not guarantee the availability of the parts listed.

SAMPLE PARTS LIST

NO.	PART NO.	PART NAME	QTY.	REMARKS
1	12345	BOLT	1	INCLUDES ITEMS W/%
2%		WASHER, 1/4 IN.		NOT SOLD SEPARATELY
2%	12347	WASHER, 3/8 IN. ...	1	MQ-45T ONLY
3	12348	HOSE	A/R	MAKE LOCALLY
4	12349	BEARING	1	S/N 2345B AND ABOVE

NO. Column

Unique Symbols — All items with same unique symbol

(@, #, +, %, or >) in the number column belong to the same assembly or kit, which is indicated by a note in the “Remarks” column.

Duplicate Item Numbers — Duplicate numbers indicate multiple part numbers, which are in effect for the same general item, such as different size saw blade guards in use or a part that has been updated on newer versions of the same machine.

NOTICE

When ordering a part that has more than one item number listed, check the remarks column for help in determining the proper part to order.

PART NO. Column

Numbers Used — Part numbers can be indicated by a number, a blank entry, or TBD.

TBD (To Be Determined) is generally used to show a part that has not been assigned a formal part number at the time of publication.

A blank entry generally indicates that the item is not sold separately or is not sold by Multiquip. Other entries will be clarified in the “Remarks” Column.

QTY. Column

Numbers Used — Item quantity can be indicated by a number, a blank entry, or A/R.

A/R (As Required) is generally used for hoses or other parts that are sold in bulk and cut to length.

A blank entry generally indicates that the item is not sold separately. Other entries will be clarified in the “Remarks” Column.

REMARKS Column

Some of the most common notes found in the “Remarks” Column are listed below. Other additional notes needed to describe the item can also be shown.

Assembly/Kit — All items on the parts list with the same unique symbol will be included when this item is purchased.

Indicated by:

“INCLUDES ITEMS W/(unique symbol)”

Serial Number Break — Used to list an effective serial number range where a particular part is used.

Indicated by:

“S/N XXXXX AND BELOW”

“S/N XXXX AND ABOVE”

“S/N XXXX TO S/N XXX”

Specific Model Number Use — Indicates that the part is used only with the specific model number or model number variant listed. It can also be used to show a part is NOT used on a specific model or model number variant.

Indicated by:

“XXXXX ONLY”

“NOT USED ON XXXX”

“Make/Obtain Locally” — Indicates that the part can be purchased at any hardware shop or made out of available items. Examples include battery cables, shims, and certain washers and nuts.

“Not Sold Separately” — Indicates that an item cannot be purchased as a separate item and is either part of an assembly/kit that can be purchased, or is not available for sale through Multiquip.

SUGGESTED SPARE PARTS

HTXD6I RIDE-ON TROWEL WITH YANMAR 4TNV84T-ZDSA2 ENGINE

1 to 3 units

Qty.....	P/N.....	Description
1.....	20674.....	GRAB HANDLE
1.....	12017.....	RELAY, KILL
1.....	21470.....	SWITCH, ON-OFF-ON PITCH CNTRL
1.....	22702.....	SWITCH, MOMENTARY W/GRN LED
1.....	22703.....	SWITCH, LKG, W/GRN LED, PITCH MODE
1.....	22212.....	LIGHT ASSY., LED INDICT RED
1.....	22213.....	LIGHT ASSY., LED INDICT YELLOW
1.....	22706.....	CONTROLLER, MC 050-20
1.....	22725-200.....	FUSE, 20 AMP J CASE
1.....	22725-600.....	FUSE, 60 AMP J CASE
4.....	23284-200.....	FUSE, 20 AMP ATC/ATO
1.....	23284-050.....	FUSE, .5 AMP ATC/ATO
1.....	23284-075.....	FUSE, 7.5 AMP ATC/ATO
1.....	20165.....	PALM HANDLE KIT
1.....	21631.....	BOOT, STEERING HANDLE
2.....	12548.....	PUMP, SPRAY
4.....	21597.....	BUMPER
2.....	21468.....	KNOB
2.....	22347.....	LIGHT
2.....	2829-1.....	ARM, TROWEL
4.....	11039.....	BUSHING
2.....	2143.....	SPRING, R.S.
2.....	9111.....	SPRING, L.S.
1.....	23341.....	SPIDER, SERVICE KIT
1.....	20939.....	THRUST COLLAR KIT
2.....	22371.....	FILTER, HYDRAULIC SUCTION

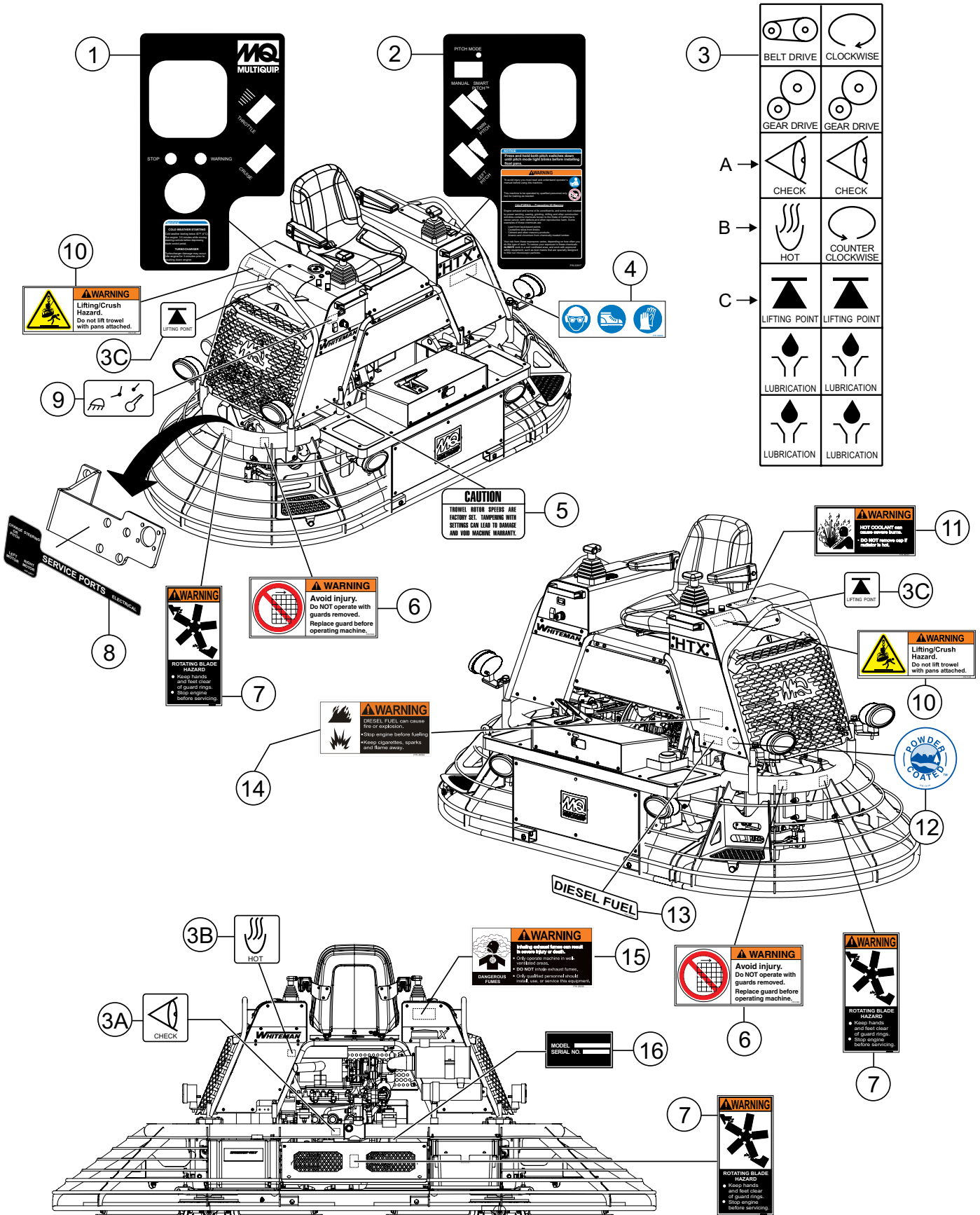
PARTS FOR YANMAR DIESEL ENGINE

3.....	11980255801.....	FUEL FILTER
2.....	12915035153.....	OIL FILTER
1.....	12924255730.....	ELEMENT, FUEL SEPARATOR
2.....	PMAF25436.....	ELEMENT, AIR CLEANER
2.....	12925842290.....	FAN BELT
1.....	406017.....	SWITCH, IGNITION W/KEY
2.....	406017-1.....	KEY, IGNITION
1.....	68900143.....	HOSE, RADIATOR LOWER
1.....	68900305.....	HOSE, RADIATOR UPPER
1.....	11976139450.....	SWITCH, OIL PRESSURE

NOTICE

Part numbers on this Suggested Spare Parts list may supersede/replace the part numbers shown in the following parts lists.

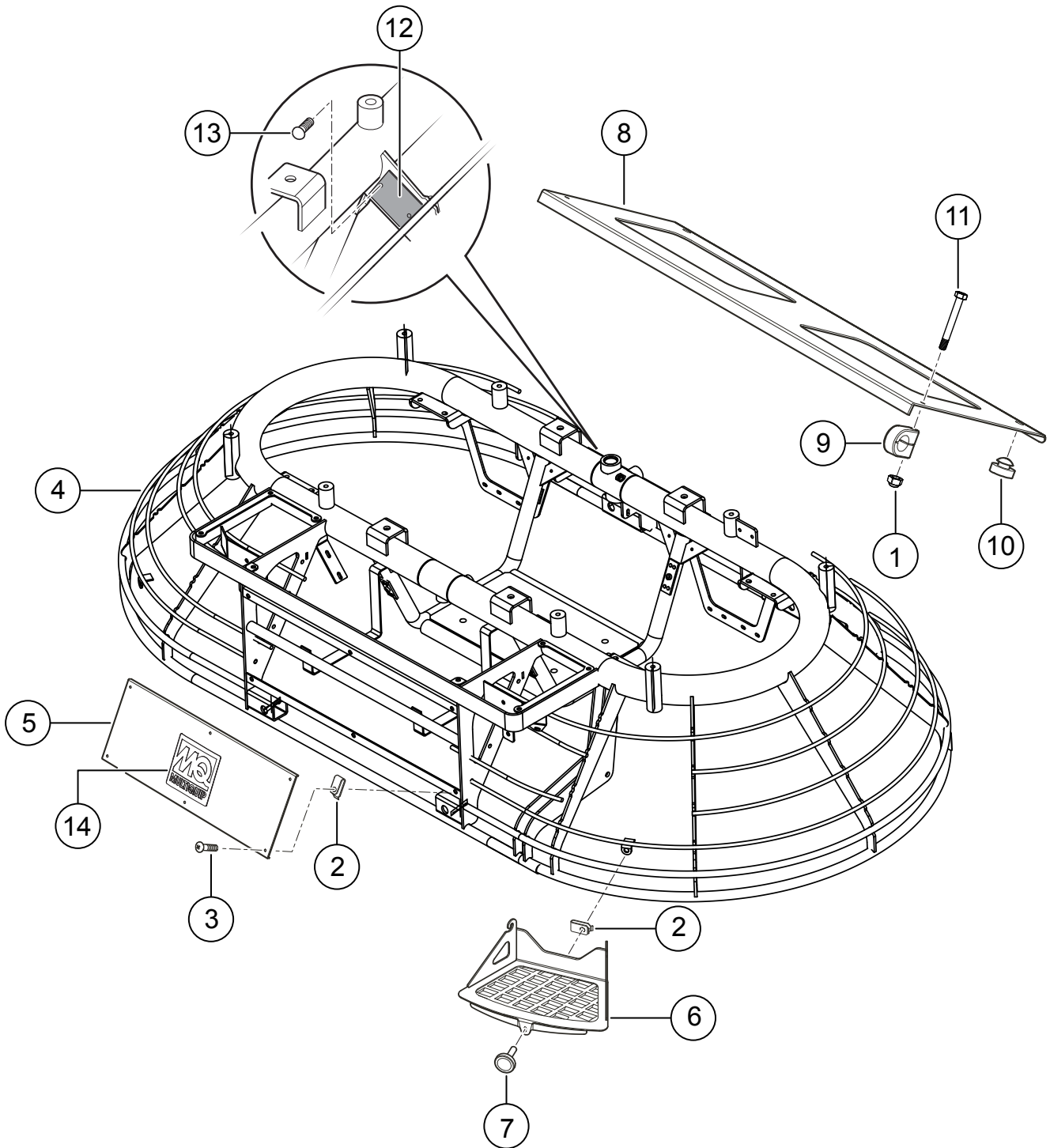
NAMEPLATE AND DECALS ASSY.



NAMEPLATE AND DECALS ASSY.

<u>NO.</u>	<u>PART NO.</u>	<u>PART NAME</u>	<u>QTY.</u>	<u>REMARKS</u>
1	22818	DECAL,RH CONSOLE OVERLAY	1	
2	22817	DECAL,LH CONSOLE OVERLAY	1	
3A	11246	DECAL, CHECK FLUID	1	
3B	11246	DECAL, HOT SURFACE	1	
3C	11246	DECAL, LIFT POINT	2	
4	36099	DECAL, PROTECTIVE CLOTHING	1	
5	20953	DECAL, WARNING, ROTOR SPEED SETTING		
6	21665	DECAL, REPLACE GUARDS 2.38" x 5.0"	2	
7	35168	DECAL, ROTATING BLADE HAZARD 2.0 x 4.3	2	
8	22827	DECAL, GAUGE PORT OVERLAY	1	
9	2814	DECAL, CONTROL PANEL, KEY, LIGHT	1	
10	21455	DECAL, LIFTING CRUSH HAZARD PANS	2	
11	36091	DECAL, HOT COOLANT 3.5 X 1.75	1	
12	13118	DECAL, POWDER COATED	1	
13	11811	DECAL, DIESEL FUEL 5.13" BLACK	1	
14	36092	DECAL, DIESEL FUEL 3.5 X 1.75	1	
15	36090	DECAL, VENTILATION 2X4"	1	
16		DECAL, SERIAL PLATE.....	1CONTACT MQ PARTS DEPT.

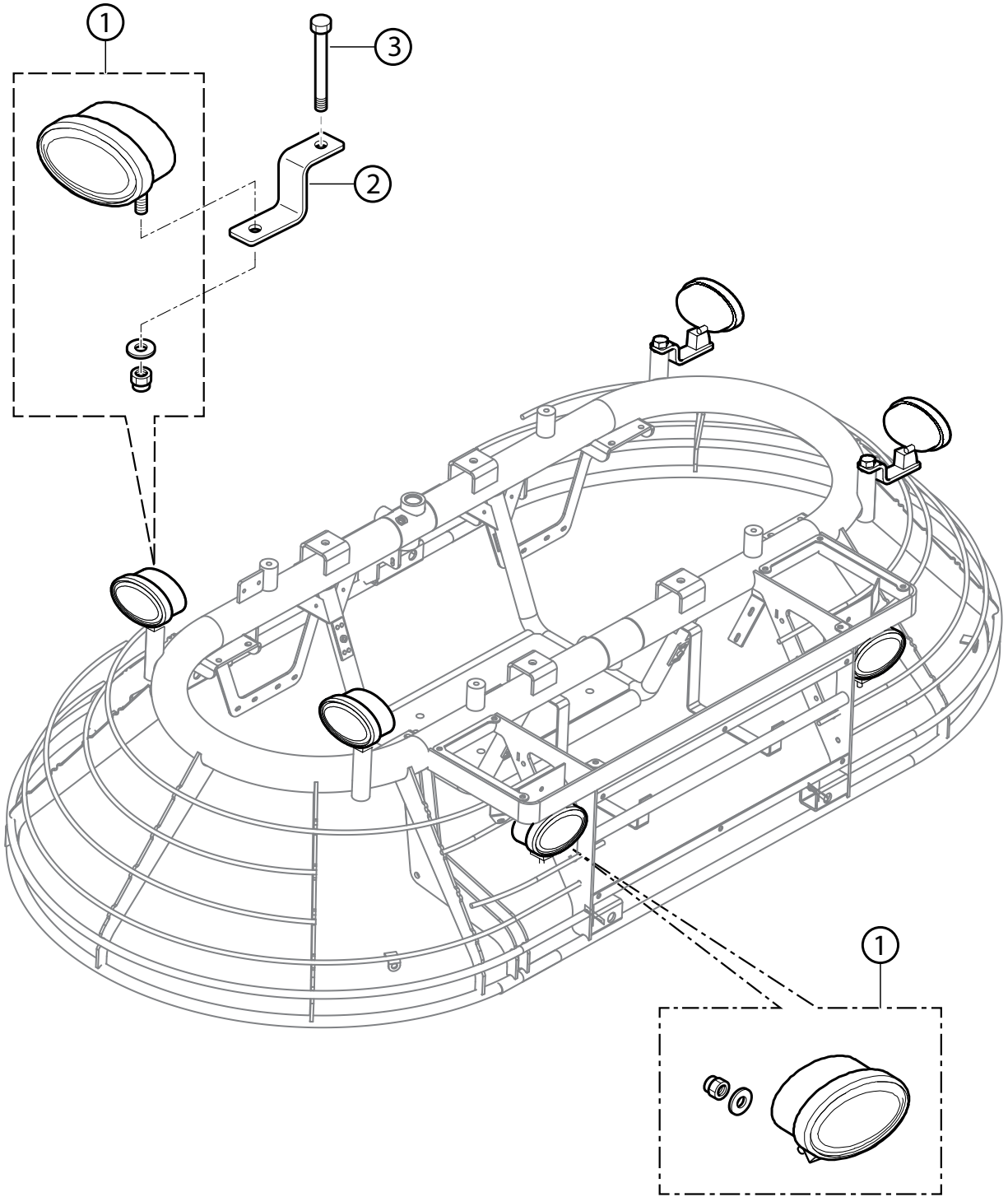
FRAME ASSY.



FRAME ASSY.

<u>NO.</u>	<u>PART NO.</u>	<u>PART NAME</u>	<u>QTY.</u>	<u>REMARKS</u>
1	10024	NUT, NYLOC 1/4-20	2	
2	11534	NUT U TYPE 1/4-20	12	
3	12287	SCREW, THP 1/4-20 X 3/4 SS	6	
4	22360	FRAME W/A HTXD6i	1	
5	20697	PANEL, ACCESS, FRONT.....	1.....	SAFETY ITEM
6	21374	STEP, W/A HTXD6i.....	2.....	SAFETY ITEM
7	21468	KNOB, PLASTIC 1/4-20 X 1 STUD	2	
8	21471	PANEL, ACCESS, REAR HTXD6i	1.....	SAFETY ITEM
9	21490	CLAMP, TUBE 18MM	2	
10	21597	BUMPER, STEM 1" DIA X .5" STEM X .31"TK	2	
11	26250	SCREW, HHC 1/4-20 X 1-3/4	2	
12		DECAL, SERIAL PLATE	1.....	MUST ORDER FROMPARTS DEPT. WITH S/N
13	4014	SCREW, 2-3/16 P-K TYPE U-DRIVE	2	
14	23235	BADGE, FOOT PLATFORM, MQ	1	

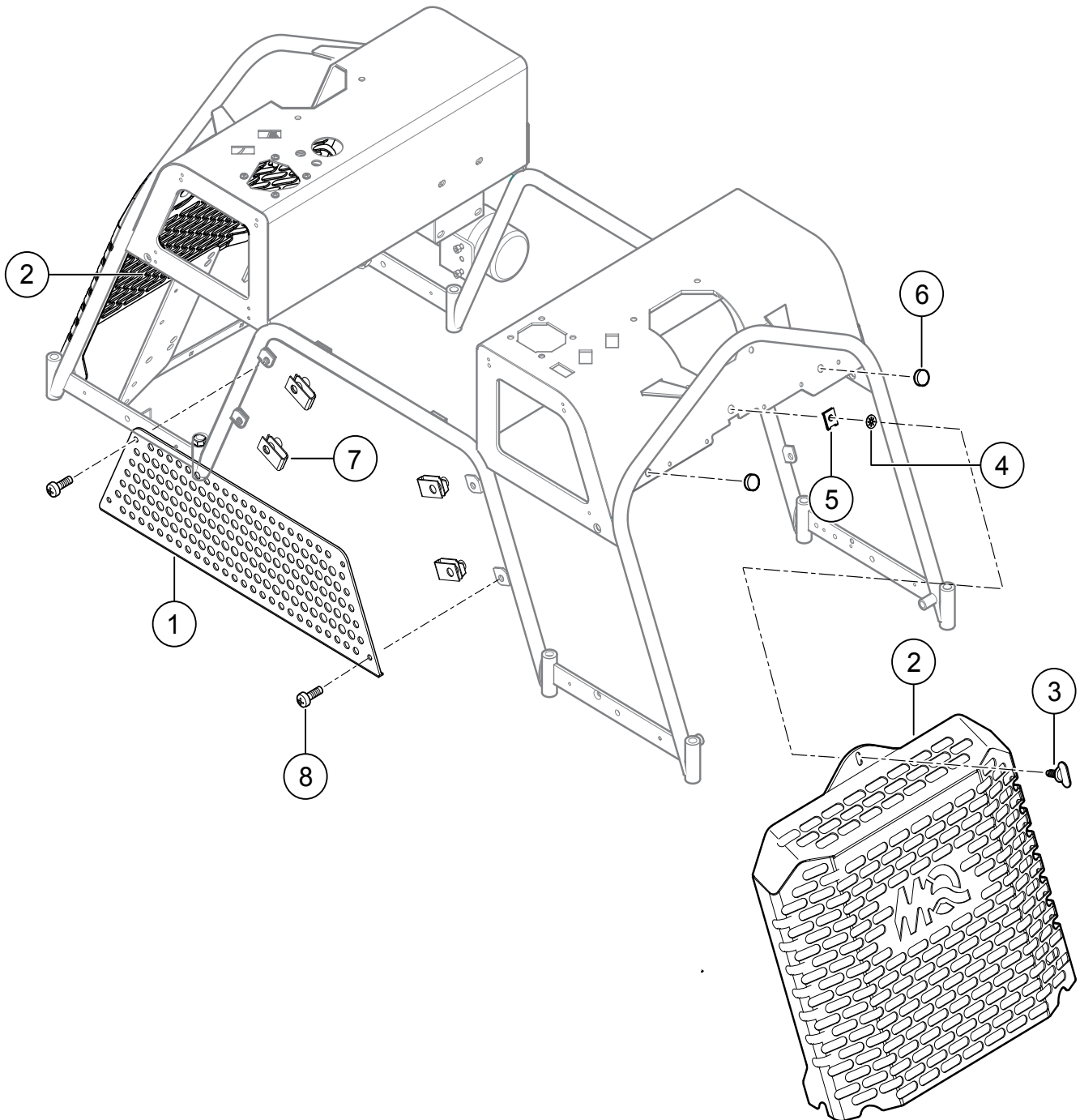
LIGHT ASSY.



LIGHT ASSY.

<u>NO.</u>	<u>PART NO.</u>	<u>PART NAME</u>	<u>QTY.</u>	<u>REMARKS</u>
1	22347	LIGHT, HELLA 50W BOTTOM MOUNT	6	
2	22420	BRACKET,RIDER OP LIGHTS	4	
3	8087	SCREW, HHC 1/2-13 X 4	8	

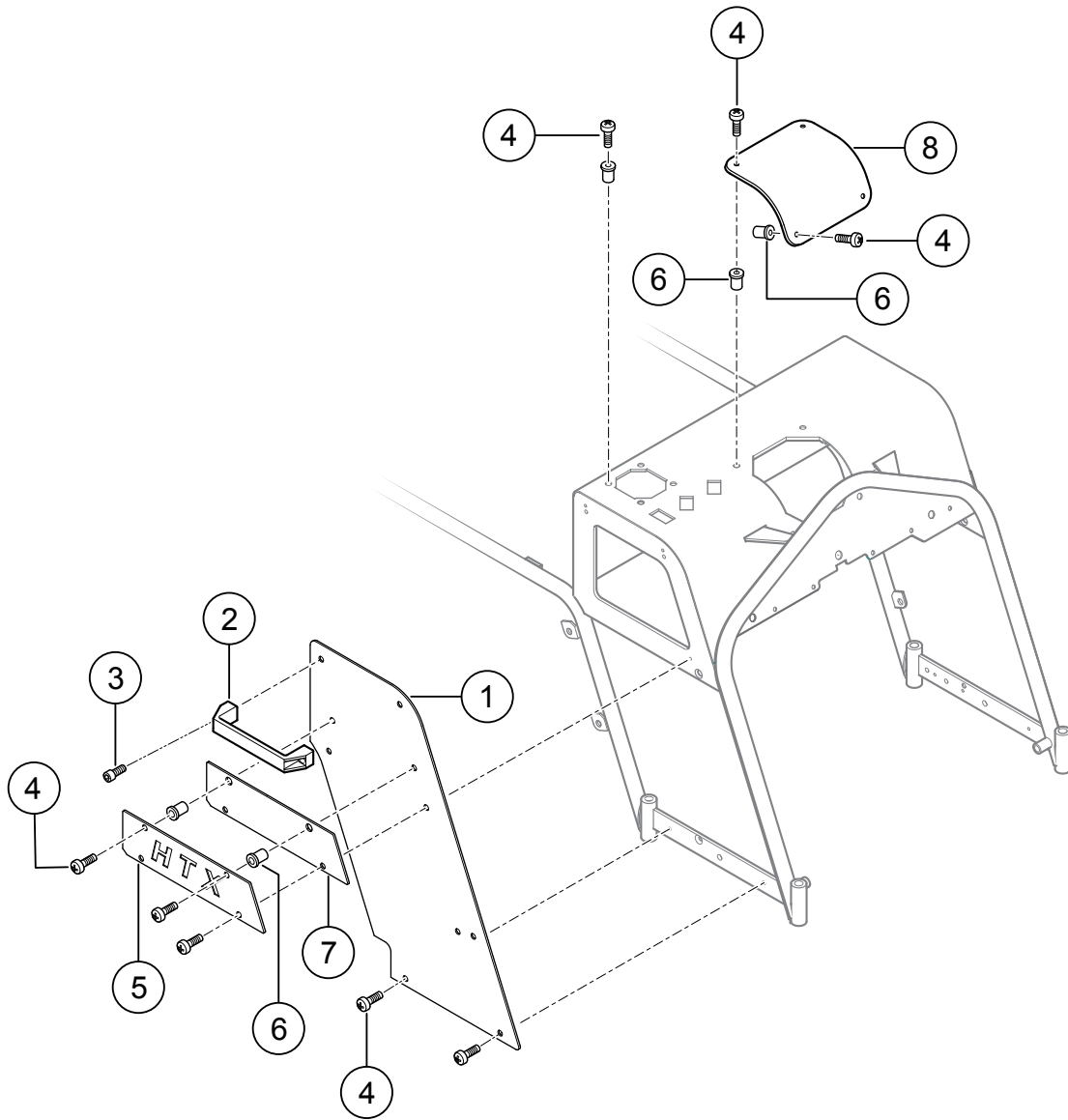
FRONT AND SIDE GUARD ASSY.



FRONT AND SIDE GUARD ASSY.

<u>NO.</u>	<u>PART NO.</u>	<u>PART NAME</u>	<u>QTY.</u>	<u>REMARKS</u>
1	32059	PANEL, SEATFRAME FRONT CENTER	1	
2	22367	GUARD,HYD RIDER	2	
3	21893	SCREW, FAST LEAD	2	
4	21986	WASHER,FAST LEAD-STAINLESS	2	
5	21894	CLIP, FAST LEAD	2	
6	21597	BUMPER, STEM, 1.0"D X .5S X 31	2	
7	11534	NUT, "U" TYPE, 1/4-20	4	
8	21575	SCREW, SHC 5/16-18 X 3/4	4	

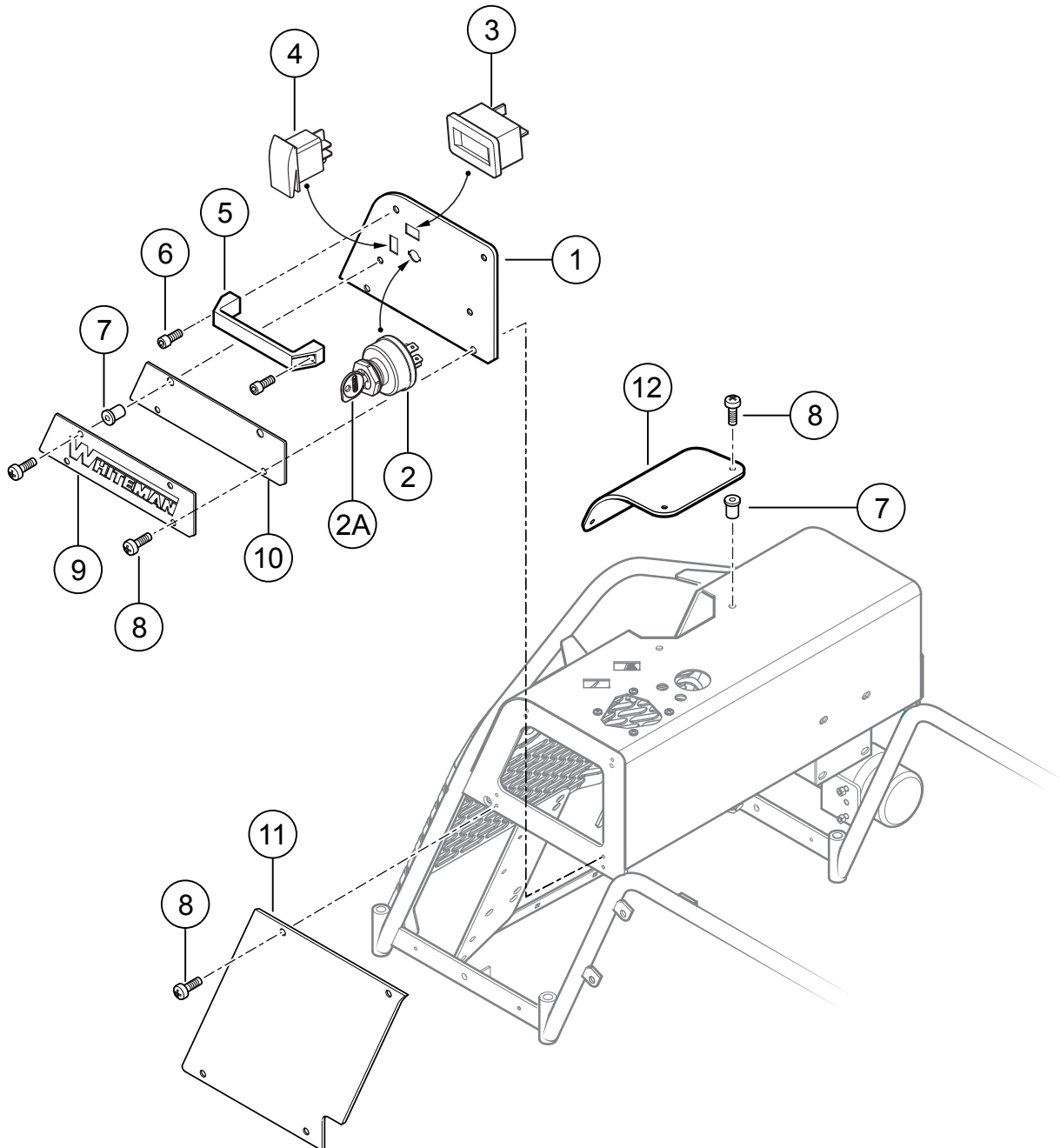
LEFT FRONT PANEL ASSY.



LEFT FRONT PANEL ASSY.

<u>NO.</u>	<u>PART NO.</u>	<u>PART NAME</u>	<u>QTY.</u>	<u>REMARKS</u>
1	20675	PANEL, SEATFRAME FRONT LEFT	1	
2	20674	HANDLE, GRAB	1	
3	21575	SCREW, SHC 5/16-18 X 3/4	2	
4	12287	SCREW, THP 1/4-20 X 3/4 SS	AR	
5	32055	PANEL, SIDE TRIM "HTX"	1	
6	19266	NUT, BLIND 1/4-20 X .027-.165	AR	
7	32057	PLATE, TRIM BACKING B, HTX	1	
8	20693	PANEL, RADIATOR COVER	1	

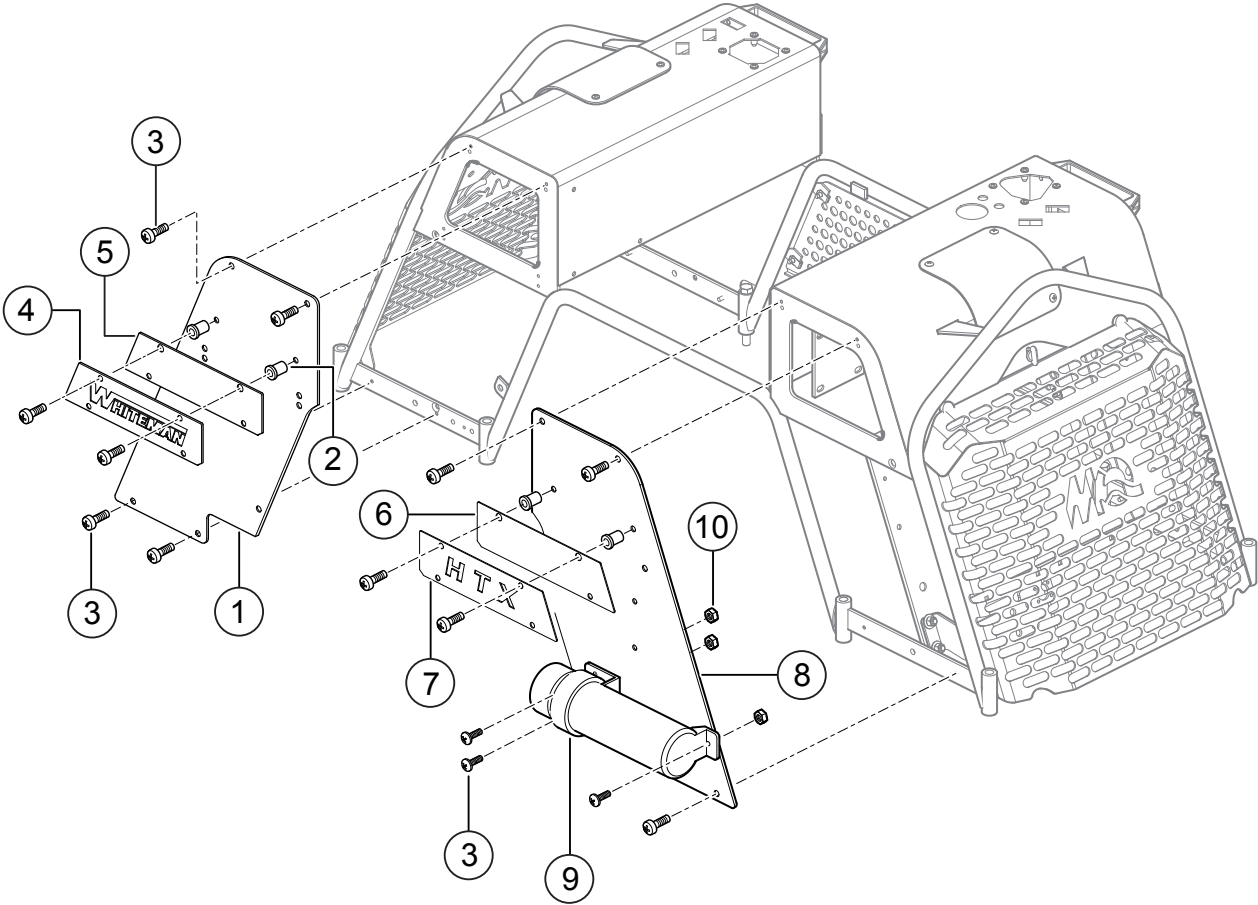
RIGHT FRONT PANEL ASSY.



RIGHT FRONT PANEL ASSY.

<u>NO.</u>	<u>PART NO.</u>	<u>PART NAME</u>	<u>QTY.</u>	<u>REMARKS</u>
1	32058	PANEL, SEAT FRAME, UPPER FRONT RT	1	
2	406017	SWITCH, IGNITION, KEYED	1	
2A	406017-1	KEY/ IGNITION SWITCH	1	
3	29640	HOUR METER, SENDER RECT FLUSH MT.	1	
4	406000	SWITCH, ROCKER	1	
5	20674	HANDLE, GRAB	1	
6	21575	SCREW, SHC 5/16-18 X 3/4	2	
7	19266	NUT, BLIND 1/4-20 X .027-.165	AR	
8	12287	SCREW, THP 1/4-20 X 3/4 SS	AR	
9	32054	PANEL, SIDE TRIM "WHITEMAN"	1	
10	32056	PLATE, TRIM BACKING A,	1	
11	22781	PANEL, SEAT FRAME, FRT LOWER RIGHT	1	
12	20693	PANEL, RADIATOR COVER	1	

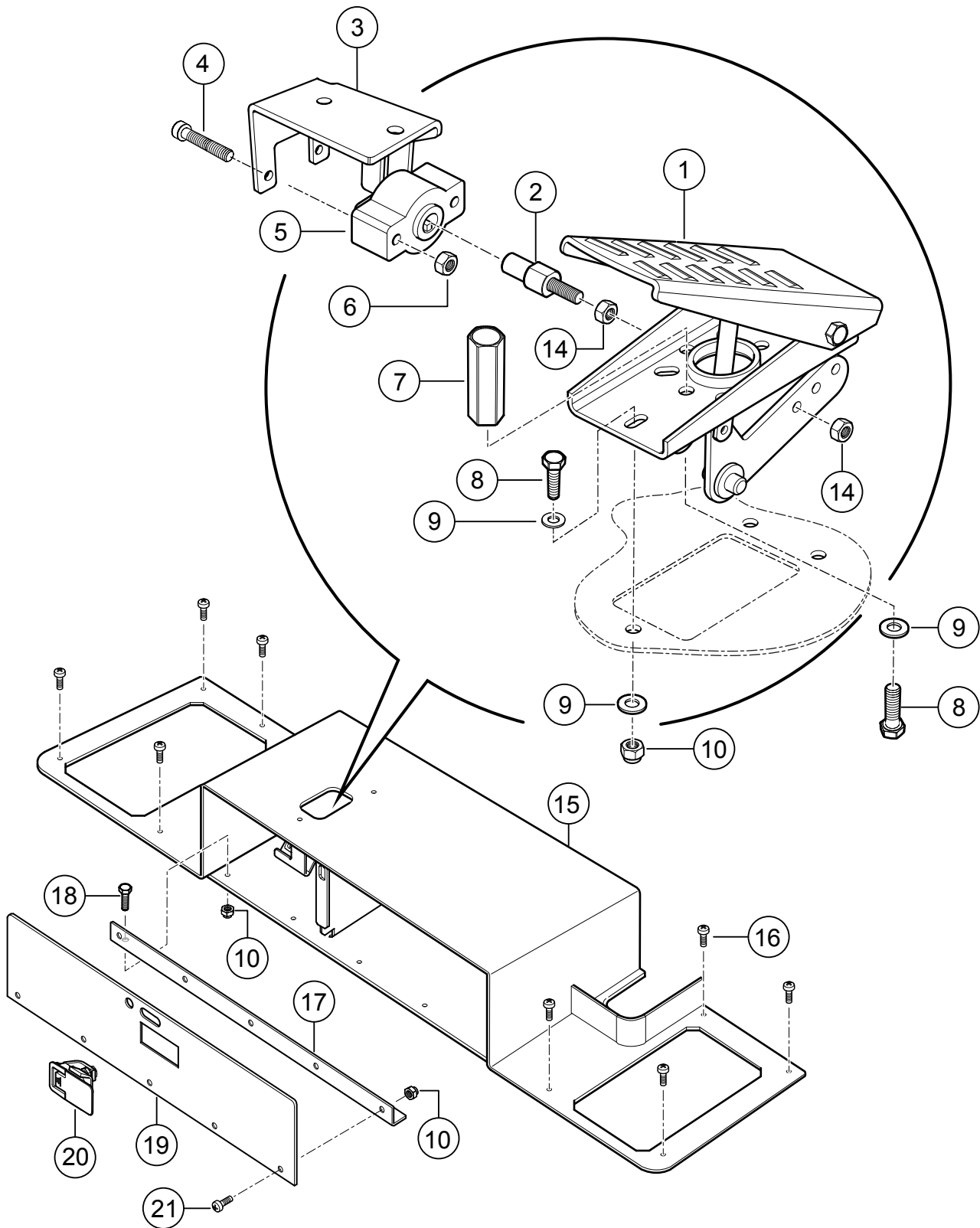
REAR PANEL ASSY.



REAR PANEL ASSY.

<u>NO.</u>	<u>PART NO.</u>	<u>PART NAME</u>	<u>QTY.</u>	<u>REMARKS</u>
1	22729	PANEL, REAR, SEAT FRAME	1	
2	19266	NUT, BLIND 1/4-20 X .027-.165	AR	
3	12287	SCREW, THP 1/4-20 X 3/4 SS	AR	
4	32054	PANEL, SIDE TRIM "WHITEMAN"	1	
5	32056	PLATE, TRIM BACKING A,	1	
6	32057	PLATE, TRIM BACKING B,	1	
7	32055	PANEL, SIDE TRIM "HTX"	1	
8	22413	PANEL, SEATFRAME REAR RIGHT	1	
9	23297	MANUAL HOLDER, PICTOGRAPH	1	
10	10024	NUT, NYLOC 1/4-20	AR	

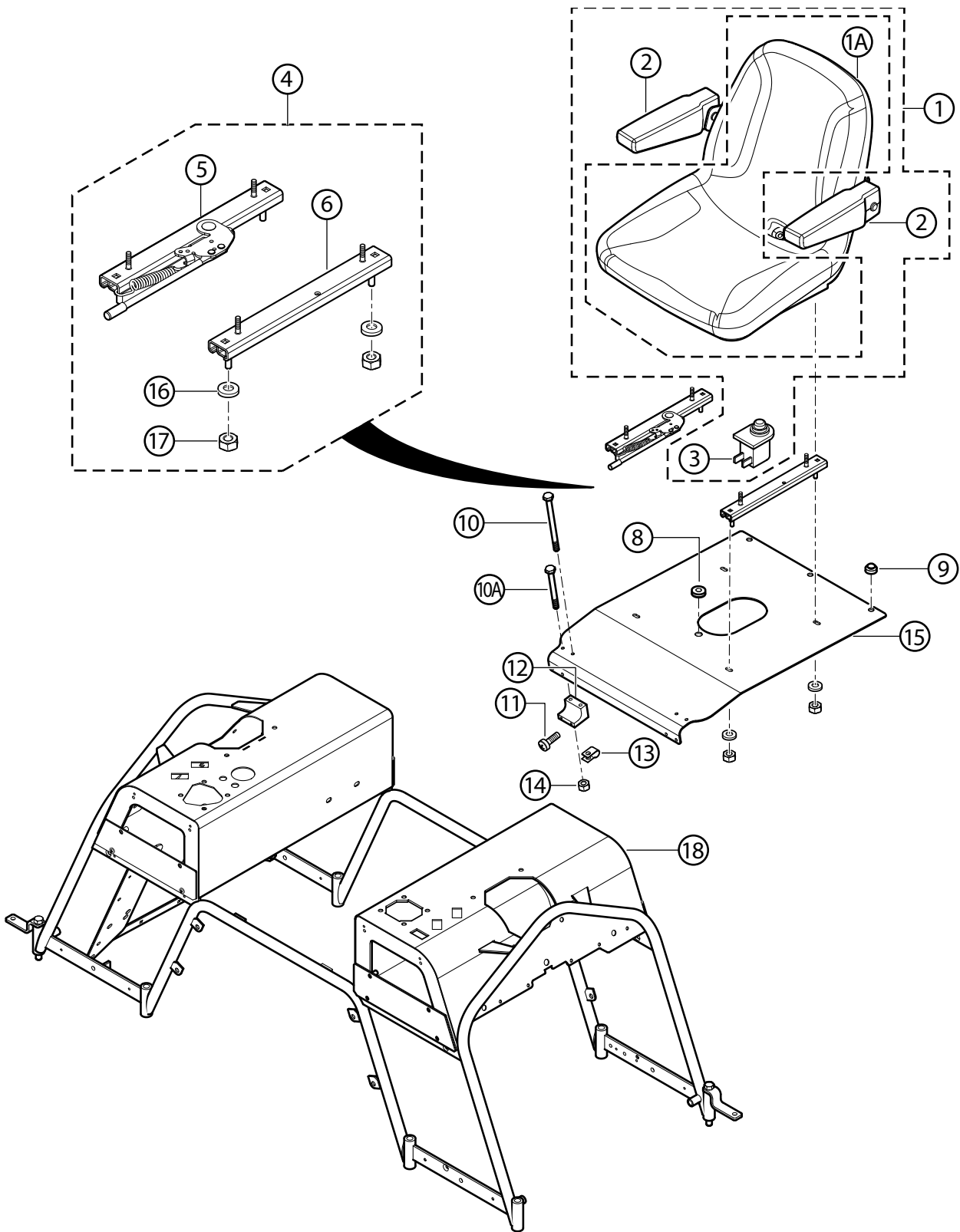
PLATFORM ASSY.



PLATFORM ASSY.

<u>NO.</u>	<u>PART NO.</u>	<u>PART NAME</u>	<u>QTY.</u>	<u>REMARKS</u>
1	22772	PEDAL, HYDRAULIC PUMP	1	
2	22764	SHAFT, FOOT PEDAL SENSOR	1	
3	22765	MOUNT, FOOT PEDAL SENSOR	1	
4	923199	SCREW, SHC 8/32 1-1/4	2	
5	22710	SENSOR, FOOT PEDAL	1	
6	13287	NUT, NYLOC 8/32	2	
7	22883	STOP, FOOT PEDAL	1	
8	0730	SCREW, HHC 1/4-20 X 1	4	
9	0948	WASHER, FLAT SAE 1/4	4	
10	10024	NUT, NYLOC 1/4-20	13	
14	6904	NUT, HEX FINISH 1/4-28 ZINC	2	
15	20720	PLATFORM, OPERATOR	1	
16	12287	SCREW, THF 1/4-20 X 3/4 SS	14	
17	20692	HINDGE, TOOLBOX ACCESS PANEL	1	
18	0131 A	SCREW, HHC 1/4-20 X 3/4	5	
19	20698	DOOR, PLATFORM	1	
20	560020	LATCH, REAR SAW ACCESS PANEL	1	
21	21611	SCREW, THP 1/4-20 X 5/8 SS	5	

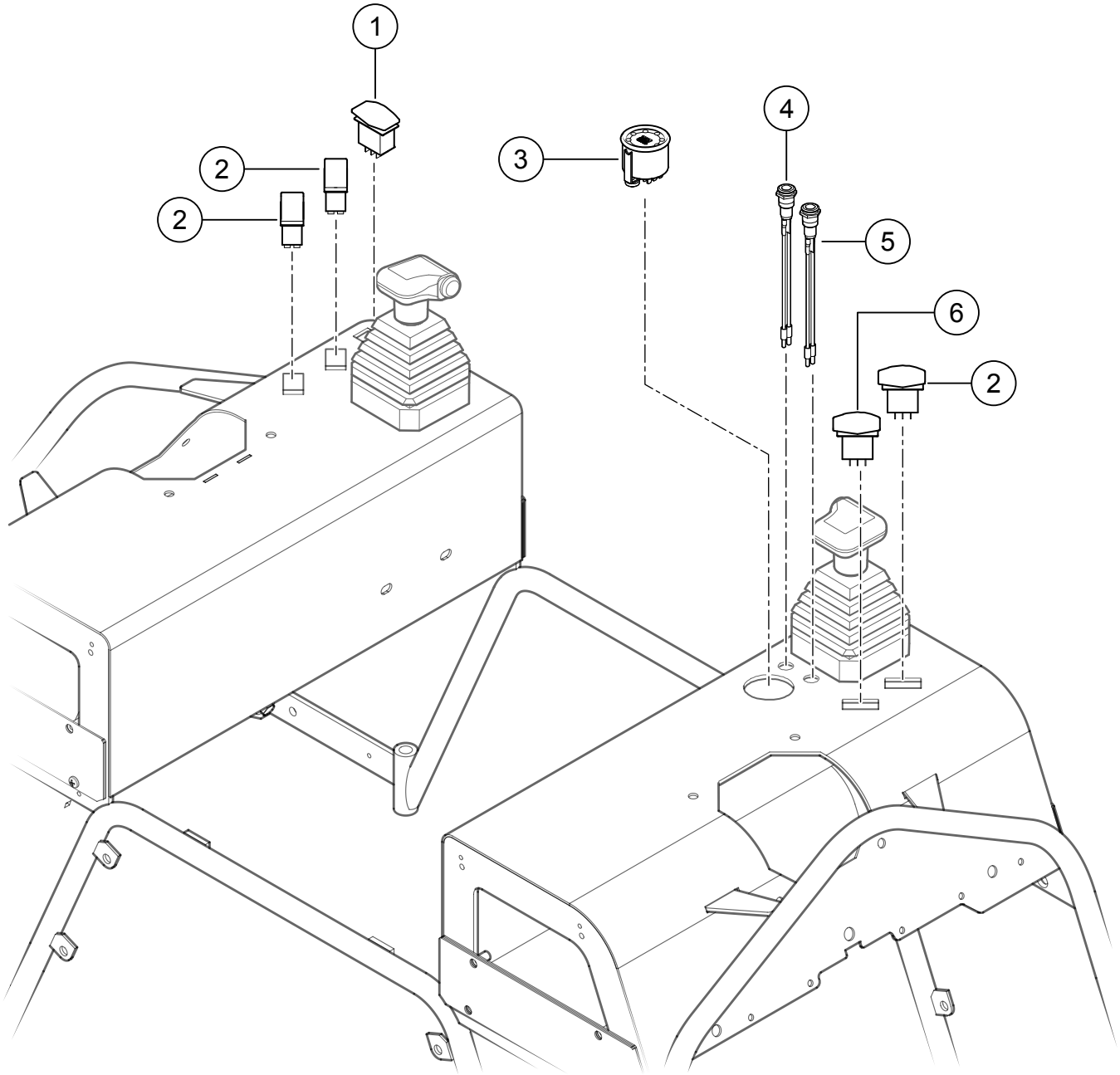
SEAT FRAME ASSY.



SEAT FRAME ASSY.

<u>NO.</u>	<u>PART NO.</u>	<u>PART NAME</u>	<u>QTY.</u>	<u>REMARKS</u>
1A\$	21860	SEAT, BASIC MICHIGAN	1	
1	21852	SEAT, MICHIGAN, ADJUSTABLE W/ARMS.....	1.....	INCLUDES ITEMS W/ \$
2\$	21868	ARMREST KIT, MICHIGAN	1	
3\$	21870	KILL SWITCH, DELTA SYSTEMS	1	
4	21865	SEAT ADJUSTER KIT, MICHIGAN	1.....	INCLUDES ITEMS W/ #
5#	21864	SEAT ADJUSTER, RH	1	
6#	21863	SEAT ADJUSTER, LH	1	
7	0400 B	SCREW, HHC 5/16-8 X 1/2	4	
8	19468	GROMMET, 3/16 X 1/2 ID X 1-1/4 OD	1	
9	21597	BUMPER, STEM 1.0"D X .5S X .31	7	
10	4538	SCREW, HHC 1/4-20 X 2-1/2 GR 5	2	
10A	20909	SCREW, HHC 1/4-20 X 2	2	
11	12287	SCREW, THP 1/4-20 X 3/4 SS	4	
12	20685	BLOCK, OPERATOR SEAT PIVOT	2	
13	8125	CLAMP, HOSE 5/8"	2	
14	10024	NUT, NYLOC 1/4-20	4	
15	22728	PLATFORM, OPERATOR SEAT VENTED	1	
16	0300 B	WASHER, FLAT SAE 5/16	4	
17	5283	NUT, NYLON 5/16-18	4	
18	22364	SEAT FRAME W/A	1	

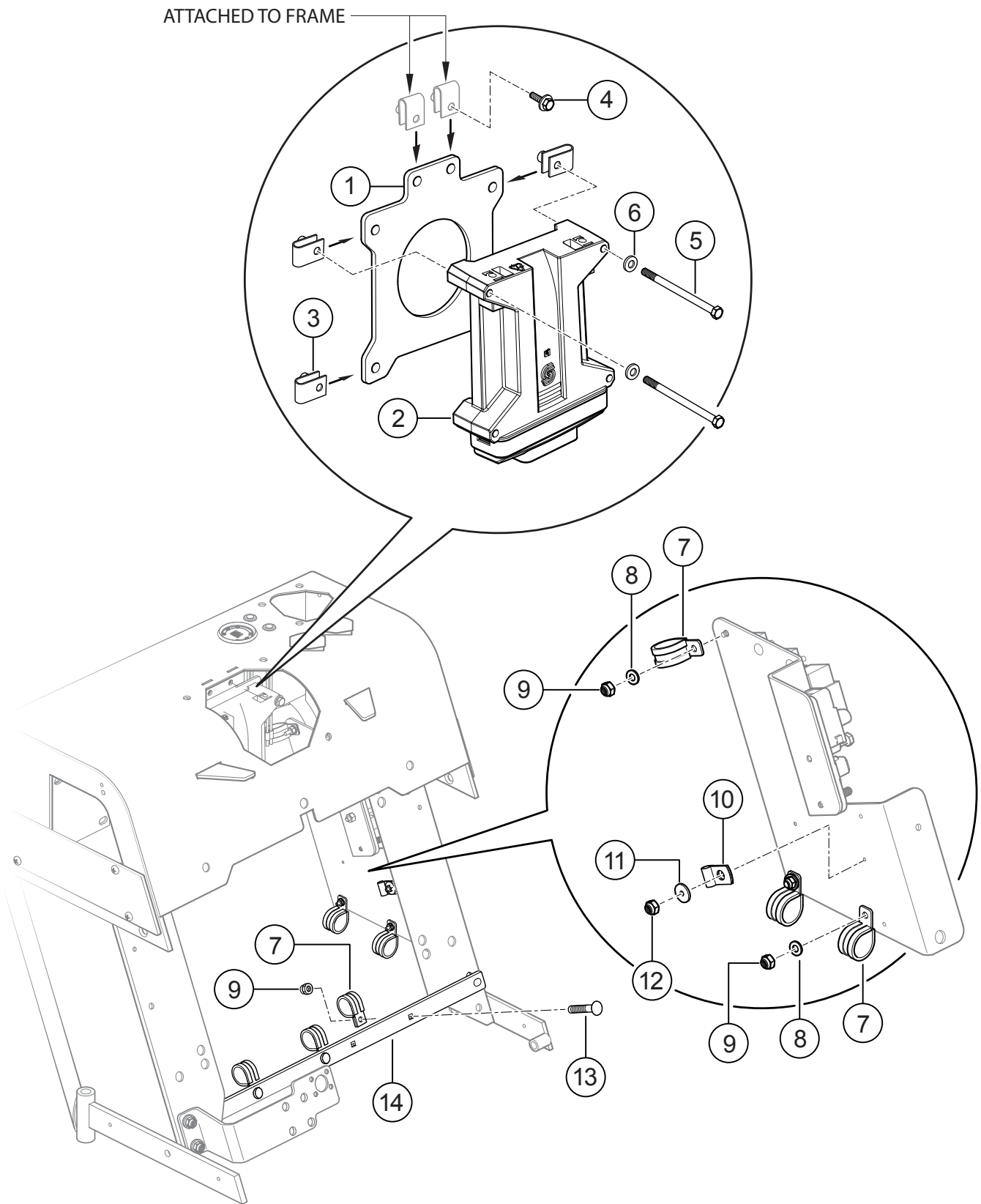
INDICATORS - SWITCHES - METER ASSY.



INDICATORS - SWITCHES - METER ASSY.

<u>NO.</u>	<u>PART NO.</u>	<u>PART NAME</u>	<u>QTY.</u>	<u>REMARKS</u>
1	22703	SWITCH, LKG,W/GREEN LED PITCH MODE	1	
2	21470	SWITCH, ON-OFF-ON PITCH CNTRL ONLY	3	
3	22408	GAUGE, MULTI-LOFA	1	
4	22212	LIGHT ASSY., LED INDICT RED 5/8 DIA	1	
5	22213	LIGHT ASSY., LED INDICT YELLOW 5/8 DIA	1	
6	22702	SWITCH, MOMENTARY W/GRN LED CRUISE	1	

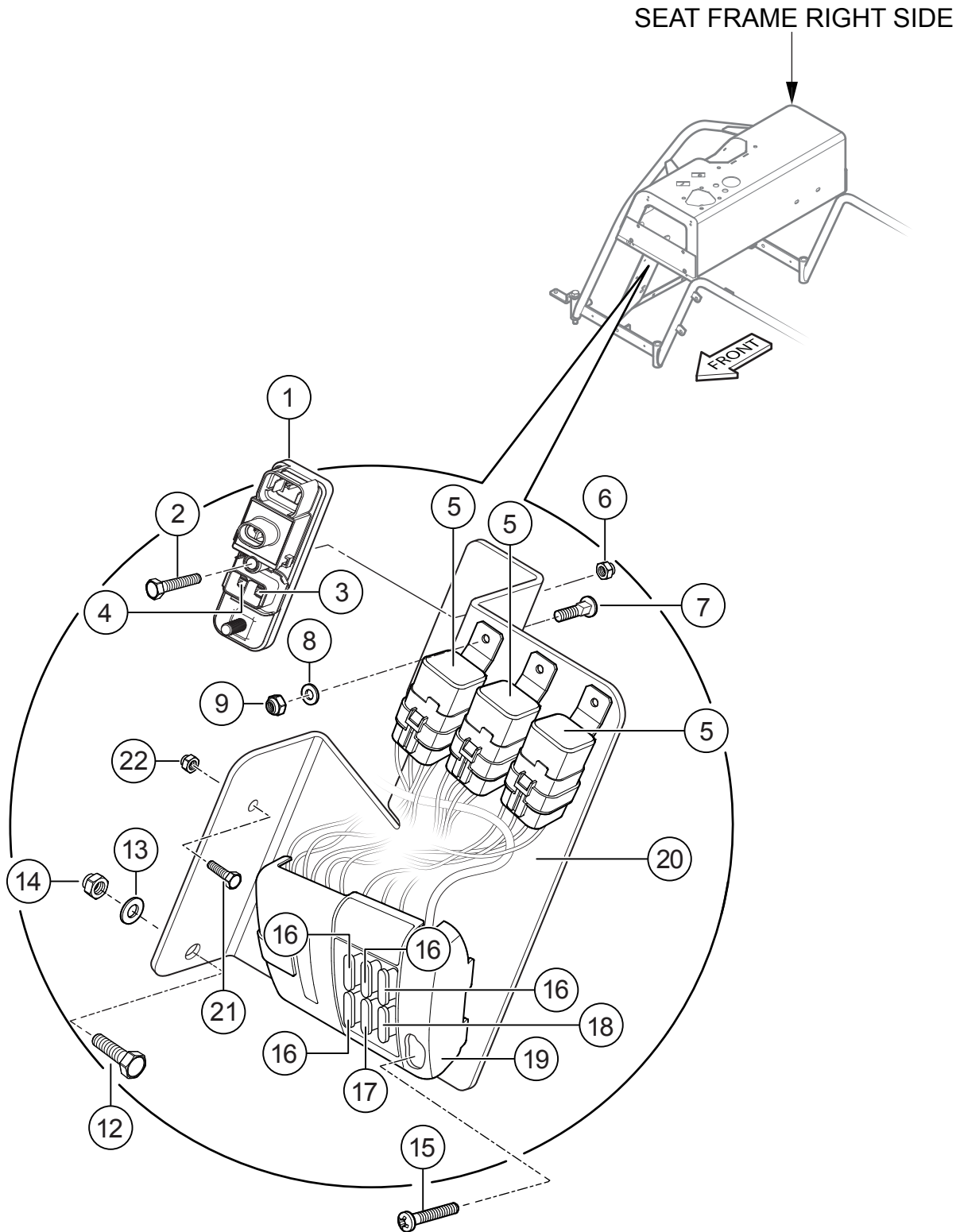
CONTROLLER ASSY.



CONTROLLER ASSY.

<u>NO.</u>	<u>PART NO.</u>	<u>PART NAME</u>	<u>QTY.</u>	<u>REMARKS</u>
1	22758	MOUNT, MCU	1	
2	22706	CONTROLLER, MC 050-20	1	
3	11534	NUT, "U" TYPE 1/4-20	6	
4	49048	SCREW, HHFS 1/4-20 X 3/4 GR5	3	
5	4538	SCREW, HHC 1/4-20 X 2-1/2 GR5	4	
6	0948	WASHER, FLAT SAE 1/4	4	
7	21574	CLAMP, LOOP CUSH'D #16 0.25 HOLE	6	
8	10136	WASHER, FLAT SAE 3/8	2	
9	10024	NUT, NYLOC 1/4-20	5	
10	8128	CLAMP, HOSE SUPPORT 5/16	1	
11	933201	WASHER, FENDER 3/16 X 3/4 ZINC	1	
12	13287	NUT, NYLOC 8-32	1	
13	29712	BOLT, CARRIAGE 1/4-20 X 3/4	3	
14	22766	CHANNEL, WIRE ROUTING	1	

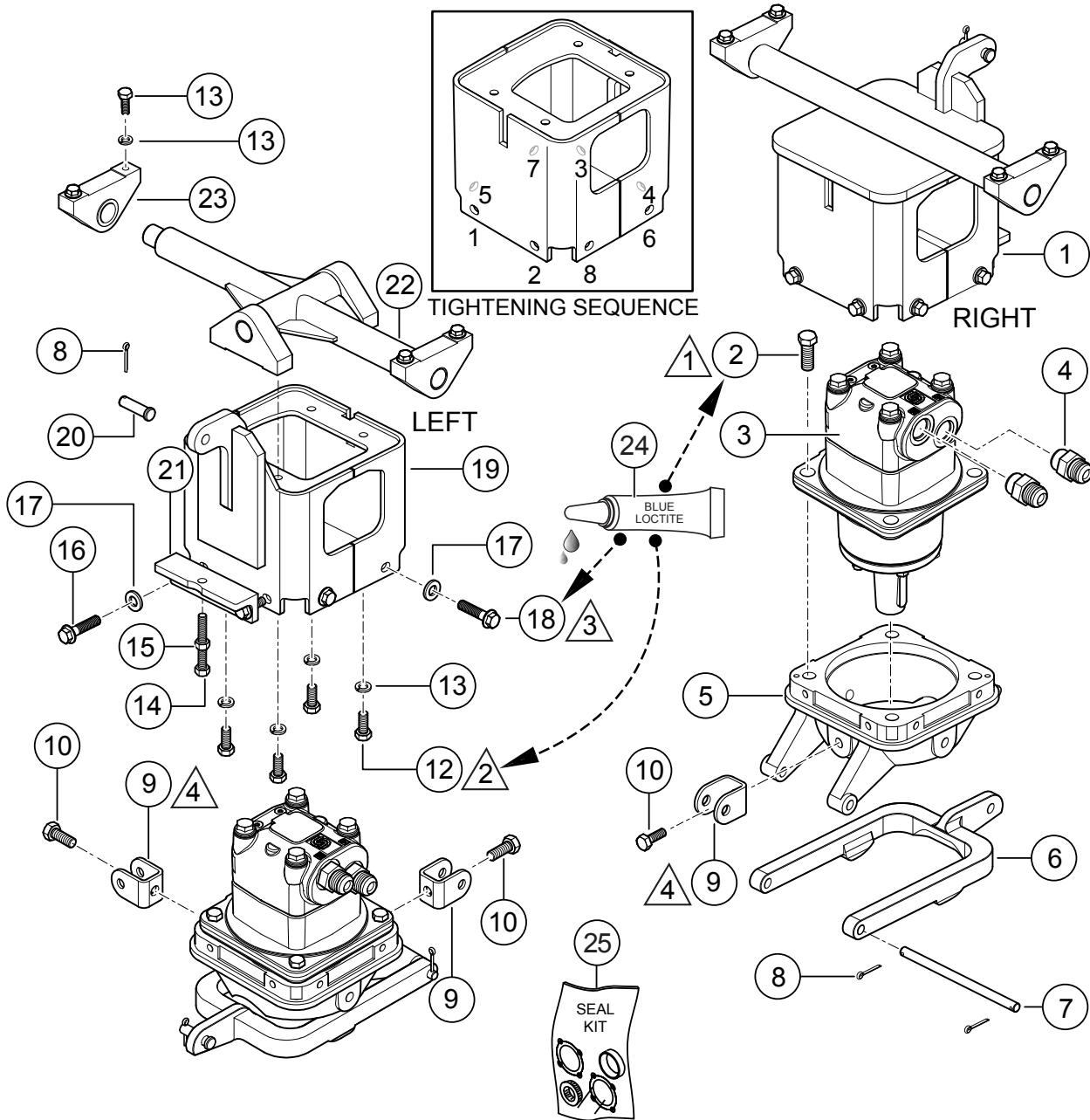
RELAYS - FUSES ASSY.



RELAYS - FUSES ASSY.

<u>NO.</u>	<u>PART NO.</u>	<u>PART NAME</u>	<u>QTY.</u>	<u>REMARKS</u>
1	22724	MODULE, POWER RELAY	1	
2	20909	SCREW, HHC 1/4-20 X 2	1	
3	22725-200	FUSE, 20 AMP J CASE	1	
4	22725-600	FUSE, 60 AMP J CASE	1	
5	12017	RELAY KILL	3	
6	10024	NUT, NYLOC 1/4-20	5	
7	22131	BOLT, CARRIAGE 10-32 X 3/4 ZINC	3	
8	2203	WASHER, FLAT #10	6	
9	10019	NUT, NYLOC 10-32	3	
12	0205	SCREW, HHC 3/8-16 X 1.0	1	
13	10136	WASHER, FLAT SAE 3/8	2	
14	10133	NUT, NYLOC 3/8-16	1	
15	923118	SCREW, SHC 8-32 x 1 NP	4	
16	23284-200	FUSE, 20 AMP ATC/ATO	4	
17	23284-050	FUSE, .5 AMP ATC/ATO	1	
18	23284-075	FUSE, 7.5 AMP ATC/ATO	1	
19	22426	BLOCK, TERMINAL FUSE	1	
20	22759	PANEL, ELECTRICAL	1	
21	49048	SCREW, HHFS 1/4-20 X 3/4 GR5	1	
22	10024	NUT, NYLOC 1/4-20	1	

PIVOT ASSY.



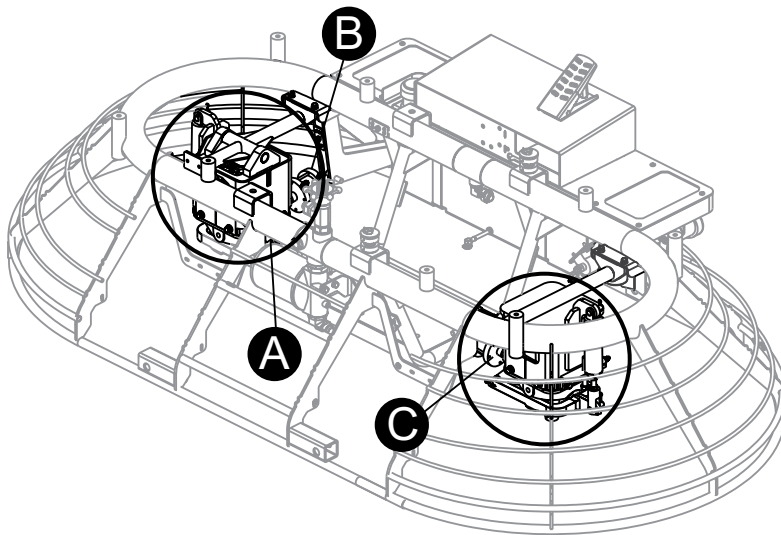
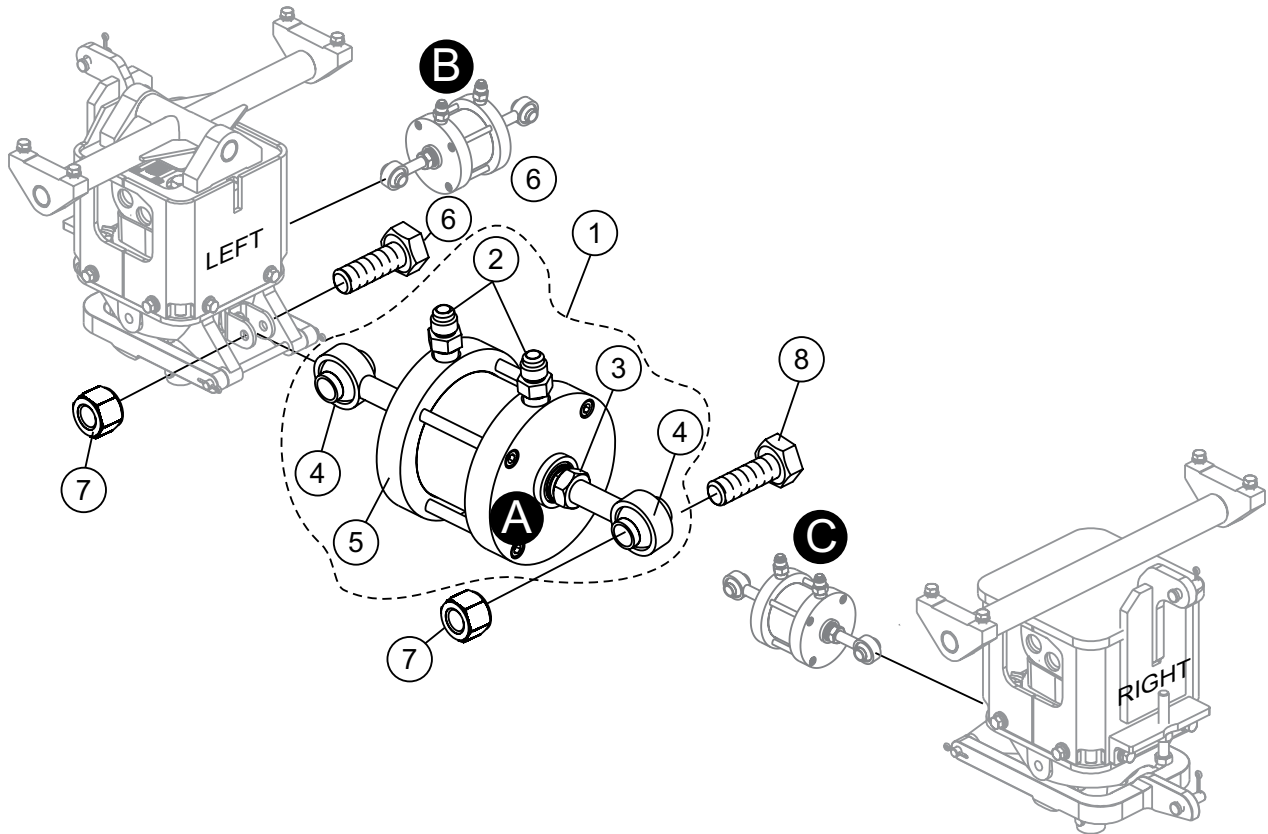
NOTES:

- ① APPLY BLUE LOCTITE #246 x 8
- ② APPLY BLUE LOCTITE #246 x 12
- ③ APPLY MINIMAL AMOUNT OF LPS ANTI-SEIZE GREASE TO THREADS OF SCREW (ITEM 18). HAND START SCREWS. FOLLOWING TIGHTENING SEQUENCE (SEE DIAGRAM ABOVE). TORQUE SCREW ASSEMBLY (FIRST PASS) TO A VALUE OF 21 FT-LBS (28.47 N·m). FOLLOW SAME SEQUENCE FOR FINAL TORQUE OF 41 FT-LBS (55.59 N·m).
- ④ CLEAN WITH NON-PETROLEUM BASE CLEANER BEFORE INSTALLING ITEMS 9 AND 10.

PIVOT ASSY.

<u>NO.</u>	<u>PART NO.</u>	<u>PART NAME</u>	<u>QTY.</u>	<u>REMARKS</u>
1	22296	HOUSING W/A, RH DRIVER MOTOR	1	
2	21376	SCREW, HHC 5/8-11 X 1-1/2	8	
3	21855	MOTOR, HYD SAUER-DANFOSS	2	
4	21096	FITTING, STR 10MJ-12MO	4	
5	20643	HOUSING, LOWER MOTOR HSG	2	
6	22738	YOKE, PITCH-MACHINED	2	
7	21022	PIN, YOKE PIVOT	2	
8	0183	PIN, COTTER 1/8D X 1-1/4	8	
9	20787	CLEVIS, STEERING CYLINDER	3	
10	2691	SCREW, SCREW, HHC 1/2-13 X 1	3	
12	1023	SCREW, HHC 3/8-16 X 1-1/4	12	
13	0166 A	WASHER, LOCK 3/8 MED.	12	
14	25002	SCREW, HHC 1/2-13 X 3-1/2 TAP	2	
15	968011	NUT, HEX FINNISH 1/2-13	2	
16	32009	SCREW, HHF 3/8-16 X 1.5 GRD 8	4	
17	21707	WASHER, FLAT 3/8 NORDLOC	16	
18	22228	SCREW, HHF 3/8-16 X 1.00 GRD 8	12	
19	22297	HOUSING, W/A LH DRIVE MOTOR	1	
20	22409	PIN, CLEVIS .50 X 1.50 STEEL ZINC PLTD	4	
21	32008	BRACKET, PITCH STOP	2	
22	20639	TRUNION W/A, PIVOT & PITCH	1	
23	11555	PIVOT BLOCK ASSY., MOTOR MT W/BUSH	6	
24	60097	LOCTITE, BLUE #246	AR	
25	151B0161	SEAL KIT COMP	1	

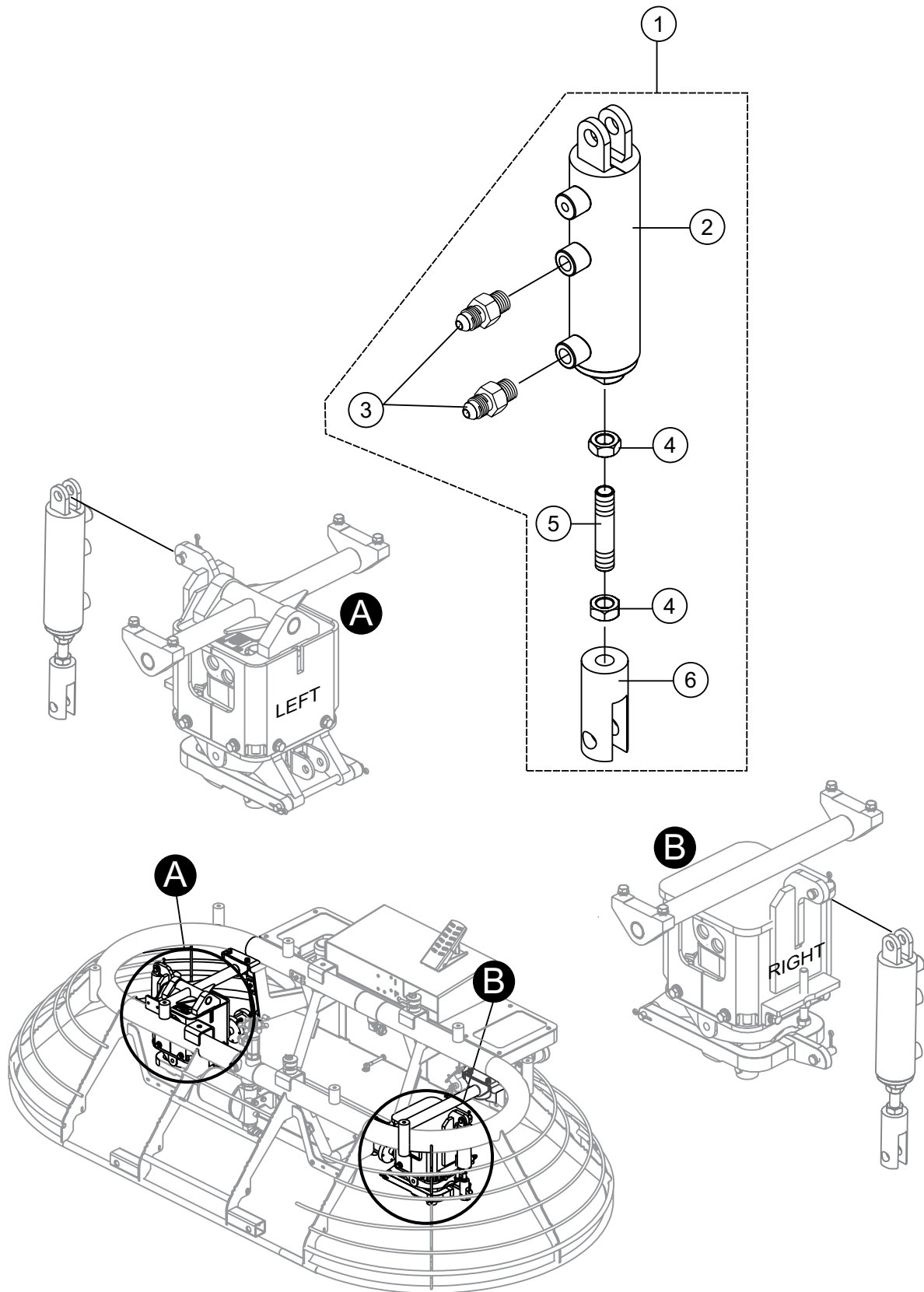
HYDRAULIC STEERING ASSY.



HYDRAULIC STEERING ASSY.

<u>NO.</u>	<u>PART NO.</u>	<u>PART NAME</u>	<u>QTY.</u>	<u>REMARKS</u>
1	20140	HYD. STEERING CYLINDER COMPLETE	3.....	INCLUDES ITEMS W/#
2#	11725	FITTING STR 6MJ-1/4 MP	6	
3#	11146	NUT, HEX JAM 1/2-20 PLATED	6	
4#	21944	ROD END, 1/2-20 M RH W/CUSTOM BALL	6	
5#	12056	CYL. 2.5" BORE X 1.5" STROKE X .75 ROD	3	
6	13178	SCREW, HHC 1/2-13 X 2 1/4 GR5	3	
7	10176	NUT, NYLOC 1/2-13	6	
8	12402	SCREW, HHC 1/2-13 X 2 1/2	3	

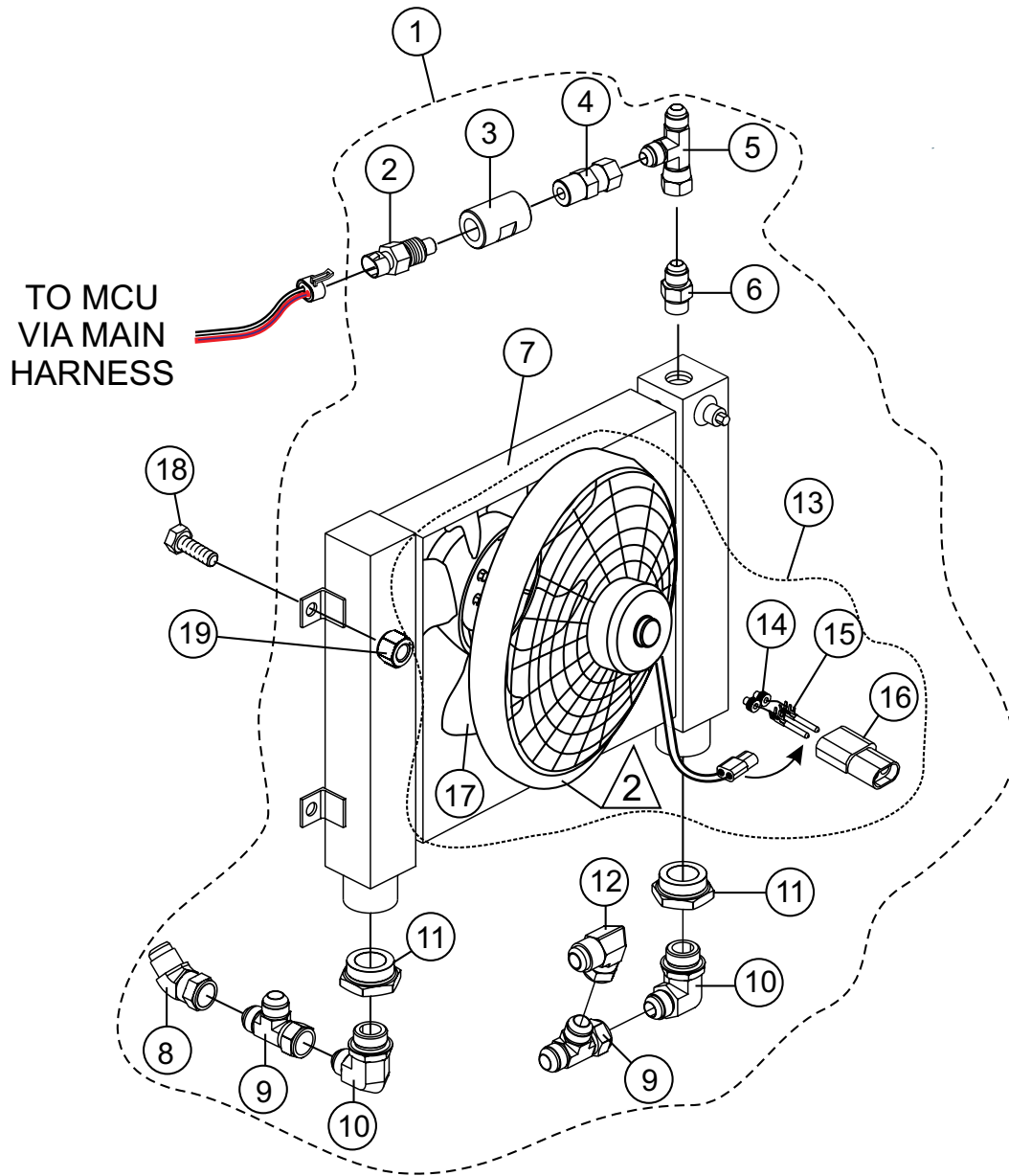
HYDRAULIC CYLINDER ASSY.



HYDRAULIC CYLINDER ASSY.

<u>NO.</u>	<u>PART NO.</u>	<u>PART NAME</u>	<u>QTY.</u>	<u>REMARKS</u>
1	22866	HYDRAULIC PITCH CYL. COMPLETE	2.....	INCLUDES ITEMS W/#
2#	22252	CYLINDER, POSITION PITCH 1.5 BORE	2	
3#	21095	FITTING, STR 4MJ-4MO	4	
4#	11146	NUT, HEX JAM 1/2-20 PLATED	4	
5#	22279	SCREW, SHS 1/2-20 X 2.50"	2	
6#	22252-1	CLEVIS	2	

HYDRAULIC COOLER ASSY.



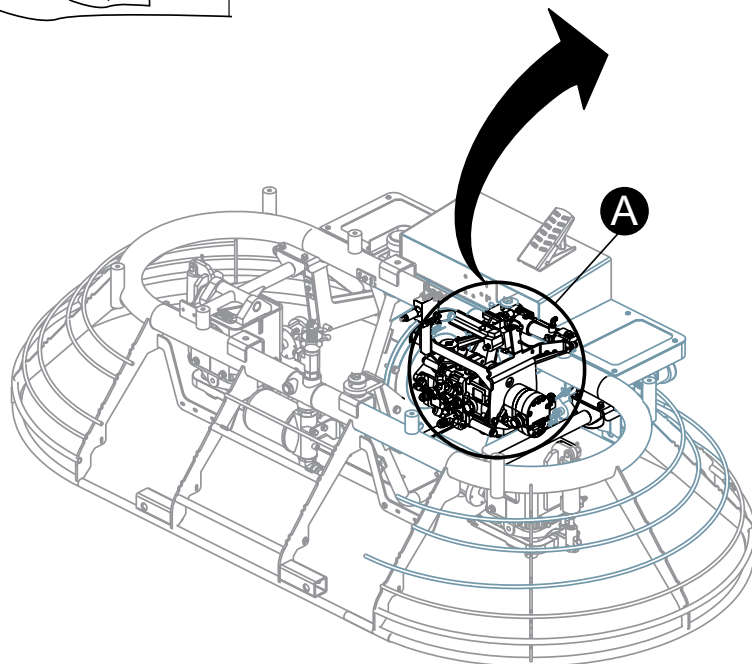
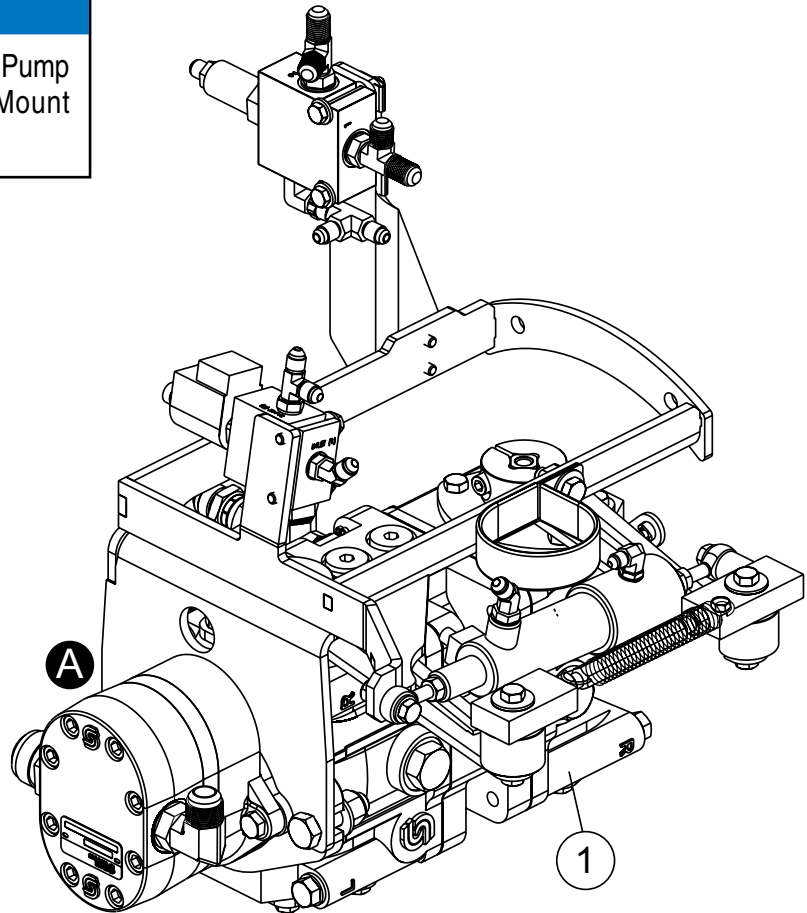
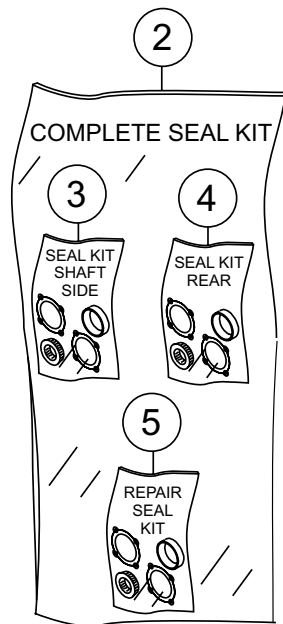
HYDRAULIC COOLER ASSY.

<u>NO.</u>	<u>PART NO.</u>	<u>PART NAME</u>	<u>QTY.</u>	<u>REMARKS</u>
1	22859	COOLER ASSY. COMPLETE	1.....	INCLUDES ITEMS W/#
2#	22746	SENSOR,TEMPERATURE-HYD OIL	1	
3#	22826	COUPLER,OIL COOLER SENSOR	1	
4#	22825	FITTING, STR 6FJ x 3/8MP	1	
5#	22830	FITTING, TEE 6FJ x 6MJ x 6MJ RUN	1	
6#	21985	FITTING, ORIFICE 6MJ-6MO x .078	1	
7#	21058	COOLER, OIL TH TRANSFER MF-30-2-4A	1	
8#	16609	FITTING, 45 12MJ - 12FJ	1	
9#	22114	FITTING, TEE 12MJ -12FJ -12MJ	2	
10#	22113	FITTING, 90 16MO - 12MJ	2	
11#	21060	FITTING, STR -24MO x -16FO	2	
12#	22799	FITTING, 90 12FJ x -12MJ	1	
13#	68224	FAN AND MOTOR ASSEMBLY	1.....	INCLUDES ITEMS W/\$
14#\$	12171	SEAL, WPACK 16-18	2	
15#\$	12179	TERMINAL, WPACK MALE 14-16GA	2	
16#\$	12176	CONNECTOR, W/PACK 2-PIN SHROUD	1	
17#\$	67991	FAN	1	
18	2691	SCREW, HHC 1/2-13 x 1	4	
19	10176	NUT, NYLOC 1/2-13	4	

PUMP ASSY. COMPLETE

NOTICE

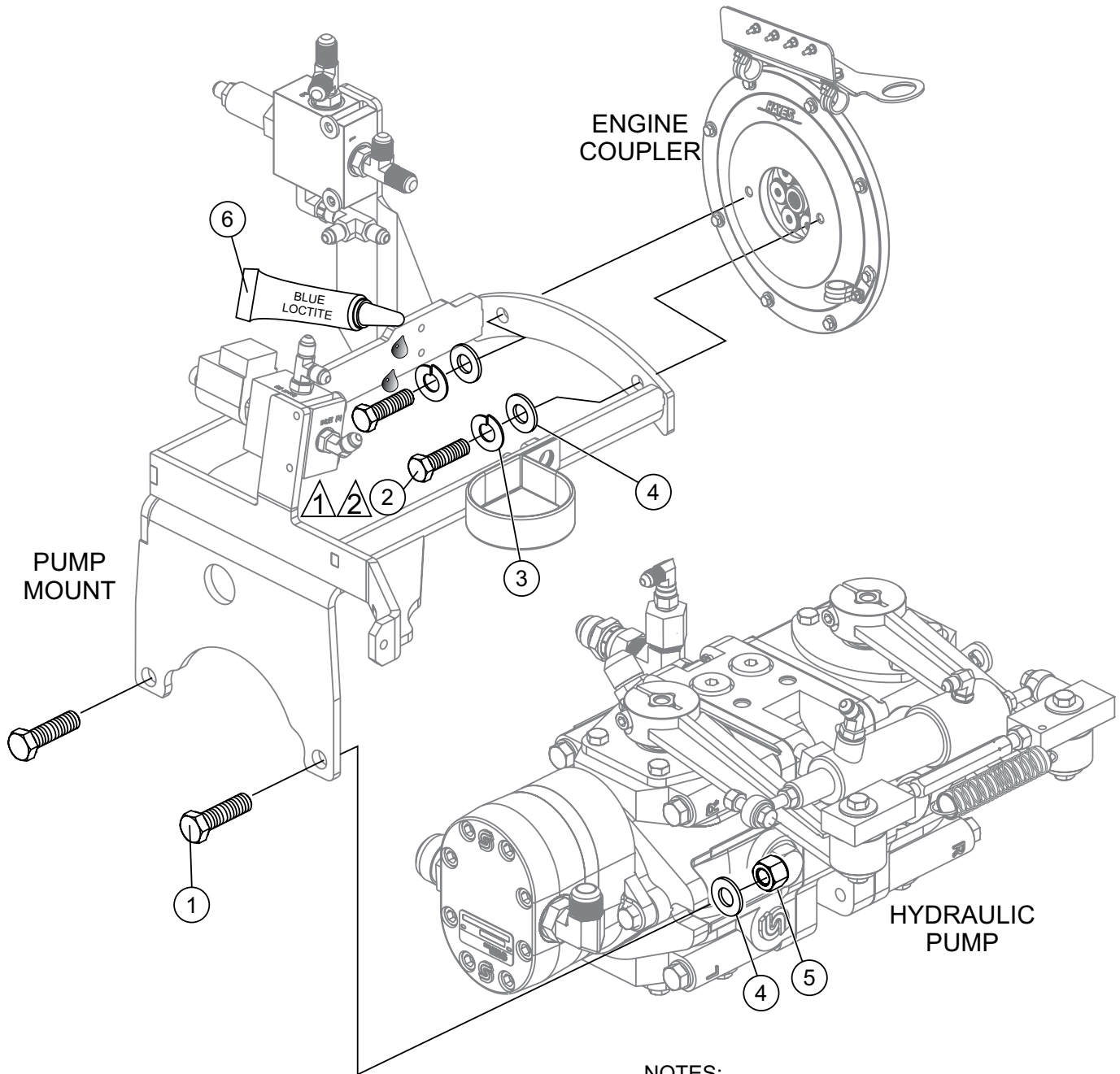
Complete Pump Assembly P/N 22863 includes Pump Fittings, Pump Levers and Pump Stroker Mount Assemblies. See preceding pages.



PUMP ASSY. COMPLETE


<u>NO.</u>	<u>PART NO.</u>	<u>PART NAME</u>	<u>QTY.</u>	<u>REMARKS</u>
1	22863	PUMP ASSY, COMPLETE	1	
2	61253000	COMPLETE SEAL KIT	2.....	INCLUDES ITEMS W/%
3%	61237000	SEAL KIT, SHAFTSIDE	1	
4%	61238000	SEAL KIT, REAR	1	
5%	4510016	REPAIR/SEAL KIT, SAUER M25	1	

PUMP MOUNTING BRACKET ASSY.



NOTES:

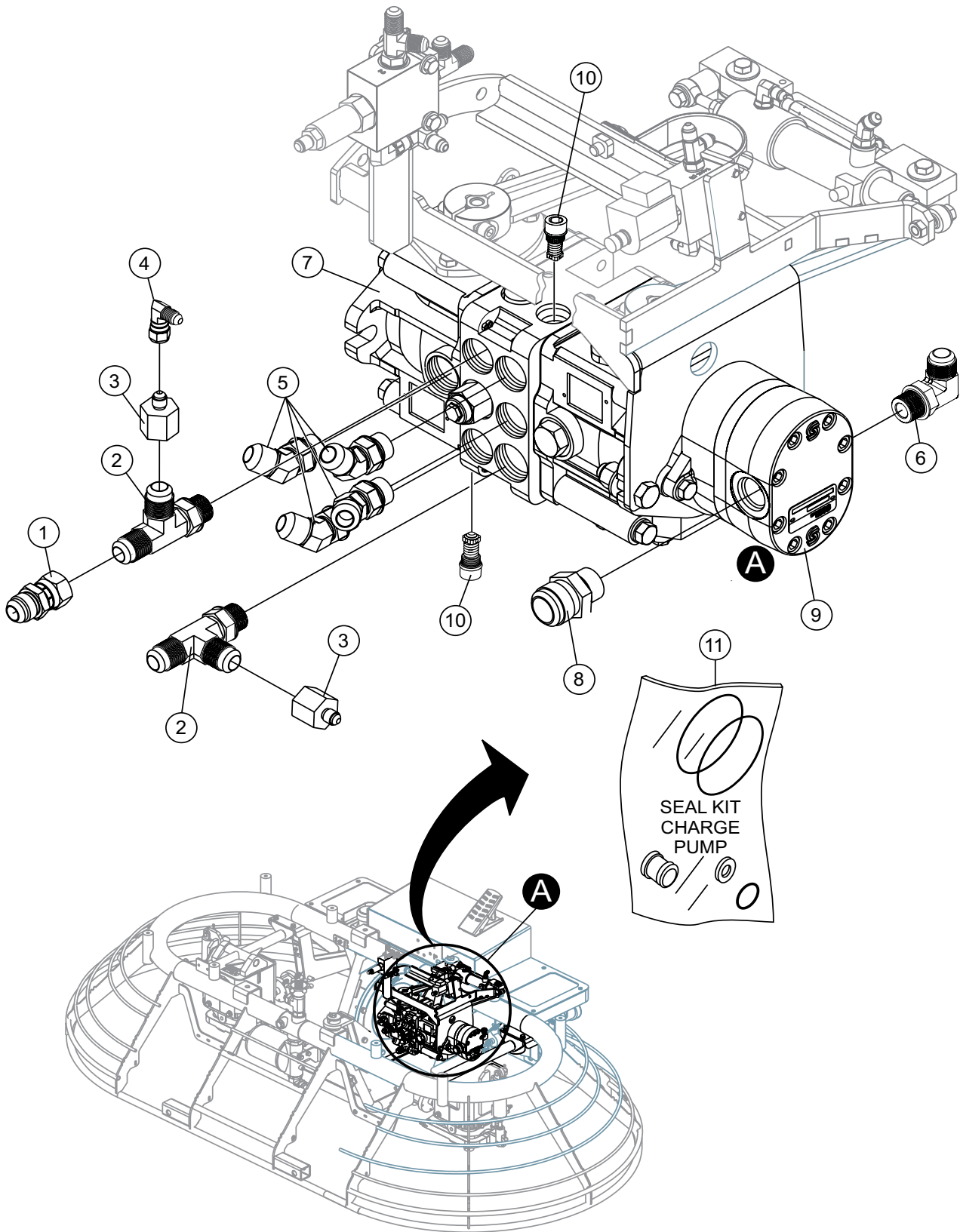
 APPLY BLUE LOCTITE™

 TORQUE TO 46 FT-LBS 62.3 N·m

PUMP MOUNTING BRACKET ASSY.

<u>NO.</u>	<u>PART NO.</u>	<u>PART NAME</u>	<u>QTY.</u>	<u>REMARKS</u>
1	3242	SCREW, HHC 1/2-13 X 1-3/4	2	
2	5218	SCREW, HHC 1/2-13 X 1 1/2	2	
3	12220	WASHER, LOCK 1/2 HIGH STRENGTH	2	
4	16630	WASHER, FLAT SAE 1/2 HIGH STRENGTH	4	
5	10176	NUT, NYLOC 1/2-13	2	
6	1477	LOCTITE™ 242 BLUE .5CC	1	

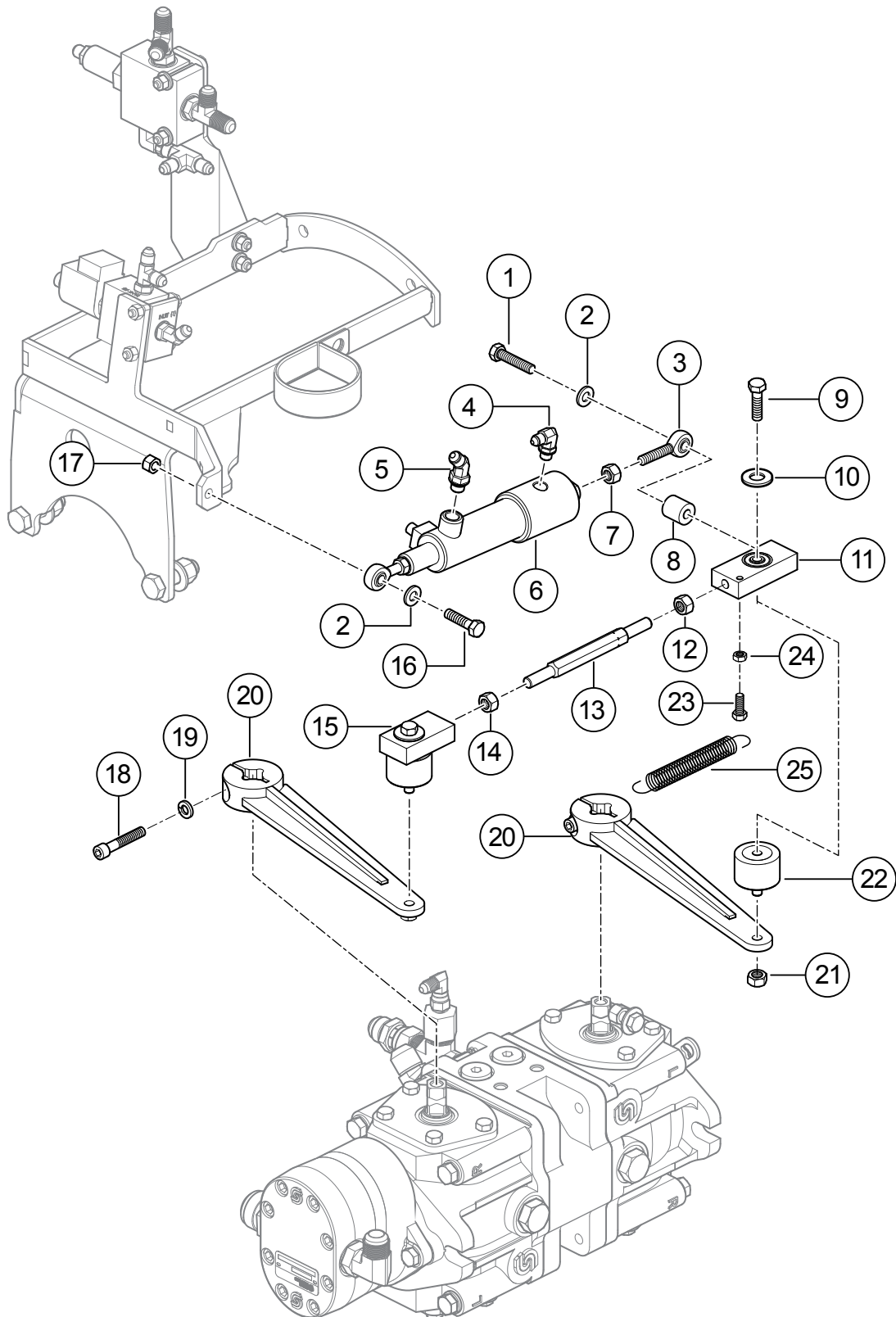
PUMP FITTINGS ASSY.



PUMP FITTINGS ASSY.

<u>NO.</u>	<u>PART NO.</u>	<u>PART NAME</u>	<u>QTY.</u>	<u>REMARKS</u>
1	21997	FITTING, STR -10FJ X -10MJ	1	
2	21093	FITTING, TEE 10MJ-10MJ-10MO RUN	2	
3	22791	FITTING, STR -10FJ x -4MJ REDUCER	2	
4	366640	FITTING, 90 4MJ - 4 FJ	1	
5	16336	FITTING, 45 10MJ-10MO	4	
6	3322	FITTING, 90 10MJ-10MO	1	
7	21287	PUMP ASSY, SAUER DANFOS M25	1.....	INCLUDES ITEM W/\$
8	22383	FITTING, STR 12MO x 16MJ	1	
9\$	32108	CHARGE PUMP, SAUER DANFOS	1	
10\$	22177	VALVE, PRESSURE RELIEF 300 BAR	2	
11\$	163S8093	SEAL KIT, CHARGE PUMP	1	

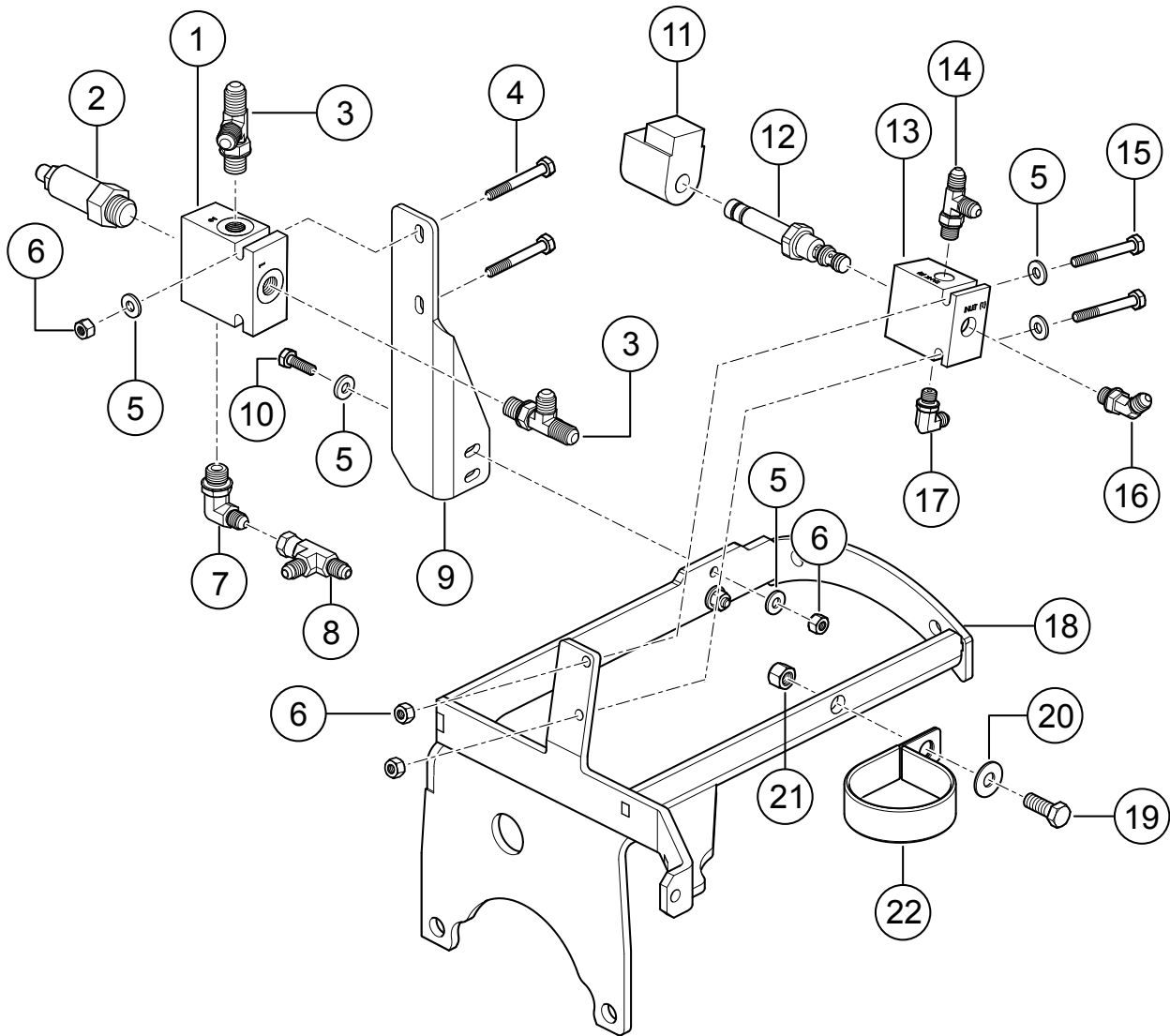
PUMP LEVERS ASSY.



PUMP LEVERS ASSY.

<u>NO.</u>	<u>PART NO.</u>	<u>PART NAME</u>	<u>QTY.</u>	<u>REMARKS</u>
1	22024	SCREW, HHC 5/16-24 X 1-3/4 GR 5 ZINC	1	
2	0300 B	WASHER, FLAT SAE 5/16	2	
3	1723	ROD END, 5/16-24 MALE RH	2	
4	368817	FITTING, 90 4MU-4MO	2	
5	21159	FITTING, 45 4MJ-4MO	2	
6	22287	CYLINDER, PUMP STROKING #661563	1	
7	6014 C	NUT, HEX FINISH 5/16-24	2	
8	21391	SPACER, .75OD X .318ID X .75L	1	
9	2623	SCREW, HHC 5/16-18 X 1.25	2	
10	933213	WASHER, FENDER 5/16 X 1 ZINC	2	
11	22650	BEARING, BLOCK ASM PUMP CTRL RH-LG	1	
12	5023 B	NUT, HEX FINISH 3/8-24 PLAIN	1	
13	21301	ROD, PUMP ACTUATOR M25	1	
14	21342	NUT, HEX FINISH 3/8-24 PLAIN	1	
15	21267	BEARING BLOCK ASM., PUMP CTRL LH	1	
16	10181	SCREW, HHC 5/16-24 X 1-1/4	1	
17	2656	NUT, NYLOC 5/16-24	1	
18	0243	SCREW, SHC 5/16-18 X 1-3/4	2	
19	0161 C	WASHER, LOCK 5/16 MED	2	
20	21290	LEVER W/A, PUMP CONTROL M25	2	
21	0161 D	NUT, HEX FINISH 5/16-18	2	
22	21231	ISOLATOR PLATE STUD 5/16	2	
23	0131 A	SCREW, HHC 1/4-20 X X3/4	1	
24	07034-004	NUT, HEX JAM 1/4-20	1	
25	22716	SPRING, EXT. .75OD X 4.50" X .062	1	

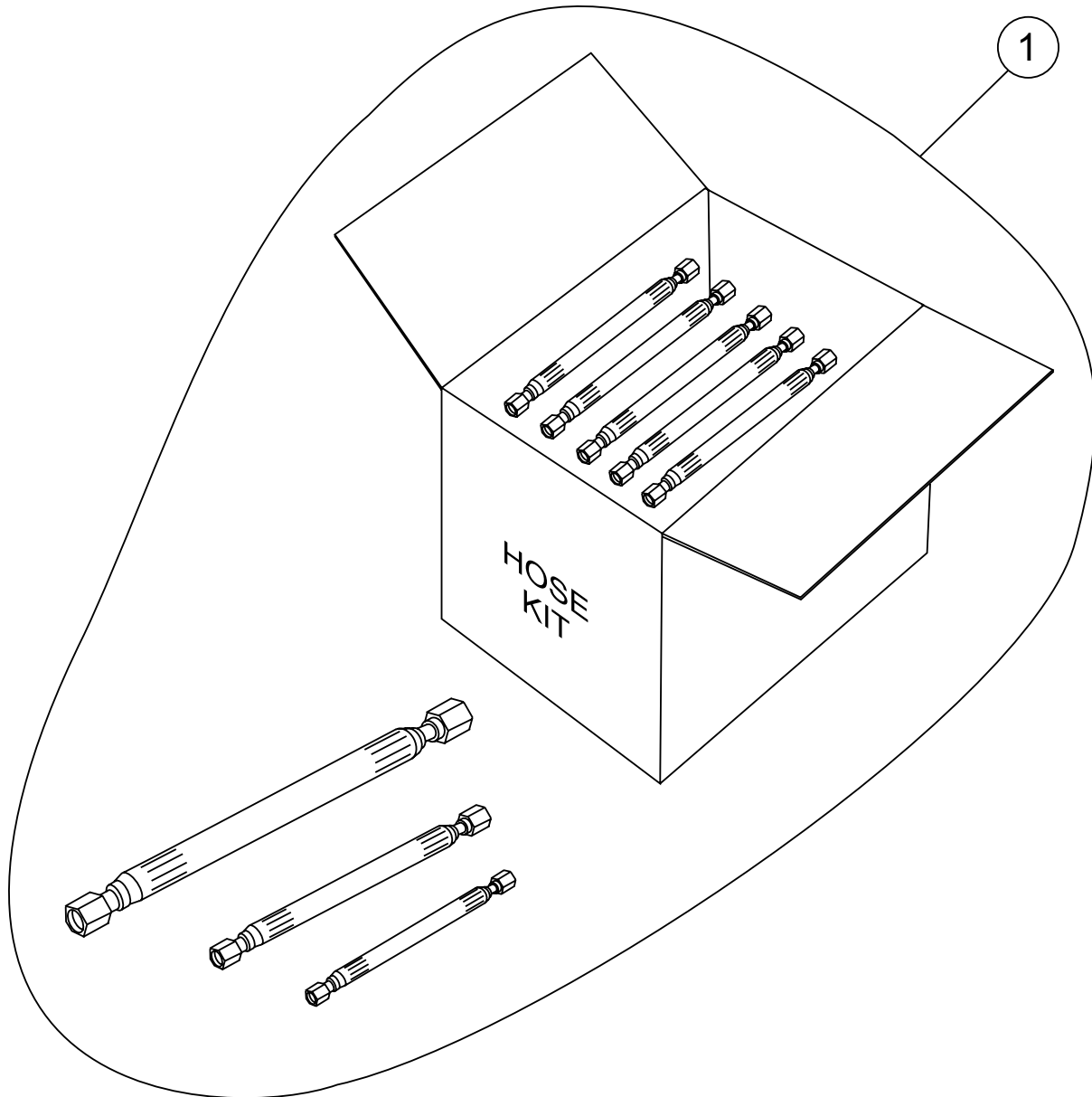
PUMP STROKER MOUNT ASSY.



PUMP STROKER MOUNT ASSY.

<u>NO.</u>	<u>PART NO.</u>	<u>PART NAME</u>	<u>QTY.</u>	<u>REMARKS</u>
1	22832	VALVE BODY, 3 PORT-CP 10-3-65	1	
2	22831	VALVE, PRESSURE REDUCING	1	
3	12159	FITTING, TEE 6MJ-6MJ-6MO RUN	2	
4	20909	SCREW, HHC 1/4-20 X 2	2	
5	0948	WASHER, FLAT SAE 1/4	6	
6	10024	NUT., NYLOC 1/4-20	6	
7	37407	FITTING, 4MJ X 6MO-90	1	
8	366690	FITTING, TEE RUN 4MJ-4MJ-4FJ	1	
9	22843	BRACKET, 3 PORT VALVE BODY	1	
10	0131 A	SCREW, HHC 1/4-20 X 3/41	2	
11	22283	COIL, STROKER VALVE	1	
12	22835	VALVE, PROP	1	
13	22285	BODY, VALVE-STROKER	1	
14	35157	FITTING, TEE 4MO-4MJ-4MJ RUN	1	
15	26250	SCREW, HHC 1/4-20 X 1-3/4	2	
16	21159	FITTING, 45 4MJ-4MO	1	
17	368817	FITTING, 90 4MJ-4MO	1	
18	22675	MOUNT, PUMP STROKER	1	
19	0205	SCREW, HHC 3/8-16 X 1.0	1	
20	10136	WASHER, FLAT SAE 3/8	1	
21	10133	NUT, NYLOC 3/8-16	1	
22	21349	CLAMP, HOSE 2.63 VINYL	1	

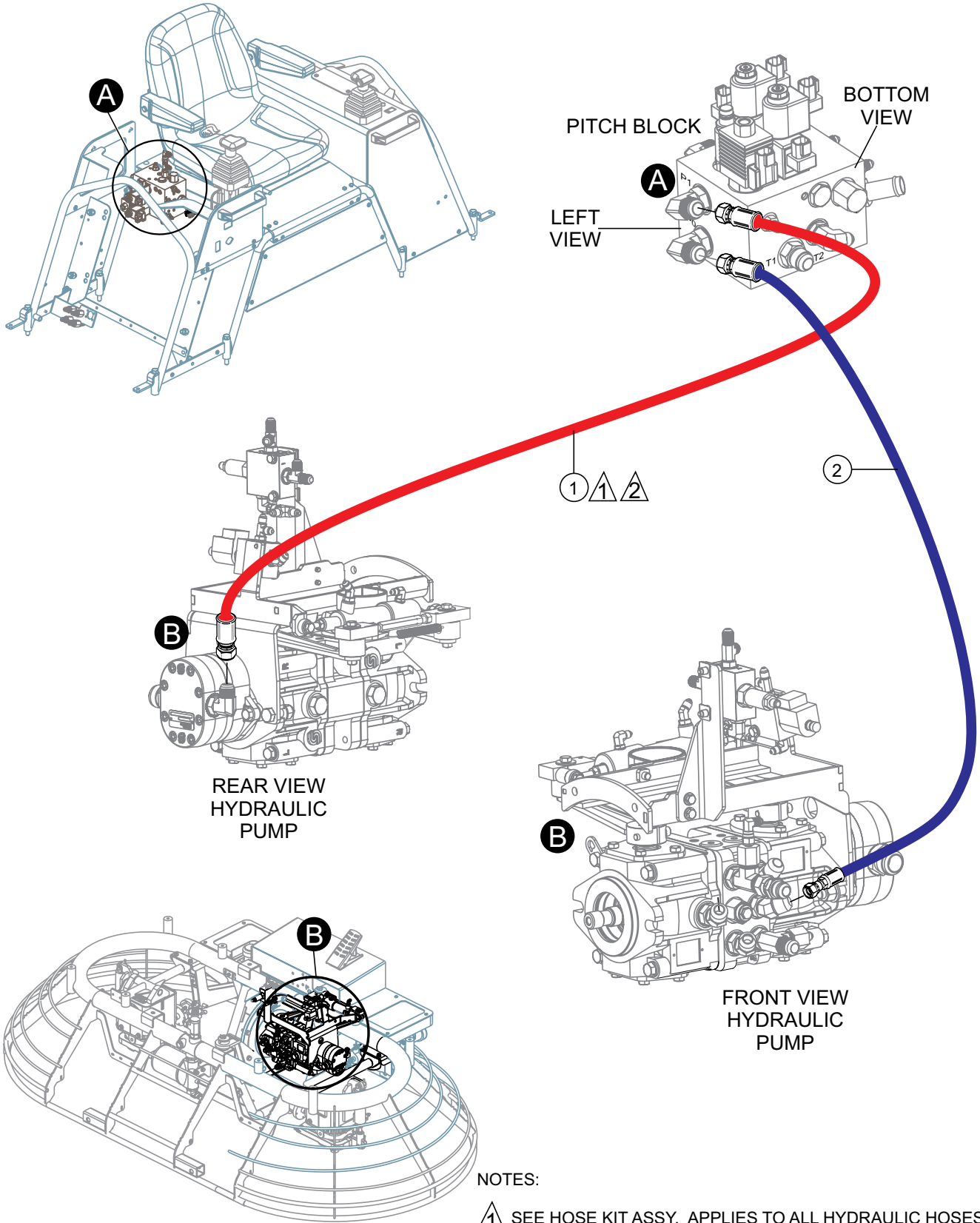
HYDRAULIC HOSE KIT ASSY. COMPLETE



HYDRAULIC HOSE KIT ASSY. COMPLETE

<u>NO.</u>	<u>PART NO.</u>	<u>PART NAME</u>	<u>QTY.</u>	<u>REMARKS</u>
1	22372	HOSE KIT ASSY.	1	INCLUDES ITEMS BELOW
	12901	HOSE ASSY., 1/2 ID x 18.00" STR ENDS	1	
	21102	HOSE ASSY., 5/8 ID x 20.00" 45° ENDS	1	
	22424	HOSE ASSY., 3/4 ID x 38.00" MEGAVAC	1	
	21158	HOSE ASSY., 1/2 ID x 24.00" STR ENDS	1	
	21201	HOSE ASSY., 3/8 ID x 36.50" STR ENDS	2	
	21695	HOSE ASSY., 3/8 ID x 40.00" STR AND LG 90° ENDS	2	
	21771	HOSE ASSY., 3/8 ID x 11.50" STR ENDS	1	
	21818	HOSE ASSY., 1.00 ID x 30" STR AND 90° ENDS	1	
	21995	HOSE ASSY., 3/8 ID x 40.50" STR ENDS	2	
	22771	HOSE ASSY., 5/8 ID x 19" STR ENDS	2	
	22466	HOSE ASSY., 3/8 ID x 67.00" STR ENDS	2	
	22469	HOSE ASSY., 5/8 ID x 65.50" STR AND 45° ENDS	1	
	22470	HOSE ASSY., 1/4 ID x 48" STR ENDS	2	
	22471	HOSE ASSY., 5/8 ID x 23.50" STR AND 90° ENDS	1	
	22472	HOSE ASSY., 5/8 ID x 44.50" 45 AND 90° ENDS	1	
	22474	HOSE ASSY., 1/4 ID x 83" STR ENDS	2	
	22475	HOSE ASSY., 1/4 ID x 10.00" STR ENDS	1	
	22476	HOSE ASSY., 1/4 ID x 8.00" STR ENDS	1	
	22477	HOSE ASSY., 1/4 ID x 24" STR AND 90° ENDS	1	
	22694	HOSE ASSY., 3/8 ID x 20.50" STR AND 90° ENDS	1	
	22695	HOSE ASSY., 1/2 ID x 26.50" STR AND 45° ENDS	1	
	22430	HOSE ASSY., 5/8 IDx22.0" STR ENDS-PUSHLOC	1	
	22478	HOSE ASSY., 1/4 ID x 22.50" STR ENDS	1	
	22395	HOSE ASSY., 1/4 ID x 14.00" STR ENDS	2	
	22836	HOSE ASSY., 1/4 ID x 11.0" STR AND 90° ENDS	1	
	22837	HOSE ASSY., 1/4 ID x 13.5" STR AND 90° ENDS	1	
	22838	HOSE ASSY., 1/4 ID x 22.0" STR AND 90° ENDS	1	
	22839	HOSE ASSY., 3/8 ID x 20.0" STR AND 90° ENDS	2	

HYDRAULIC HOSE ASSY. (PITCH BLOCK PORTS P0-P1)



NOTES:

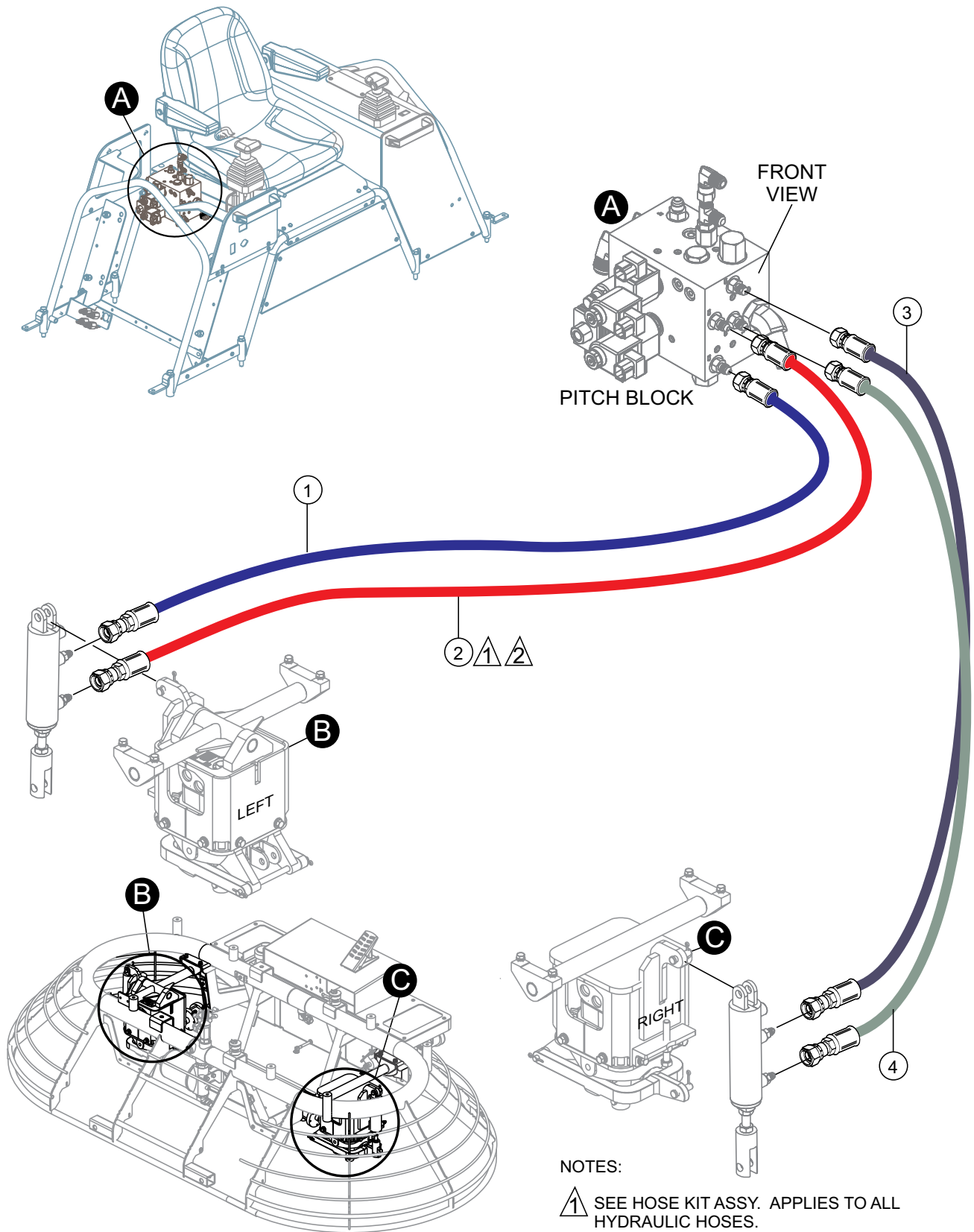
1 SEE HOSE KIT ASSY. APPLIES TO ALL HYDRAULIC HOSES.

2 HOSE COLORS SHOWN FOR CLARITY ONLY.

HYDRAULIC HOSE ASSY. (PITCH BLOCK PORTS P0-P1)

<u>NO.</u>	<u>PART NO.</u>	<u>PART NAME</u>	<u>QTY.</u>	<u>REMARKS</u>
1	21076	HOSE ASM,1/2 ID x 29.50" STR ENDS	1	
2	21334	HOSE ASM,1/2 ID x 26.50" STR ENDS	1	

HYDRAULIC HOSE ASSY. (PITCH BLOCK PORTS C1~C4)



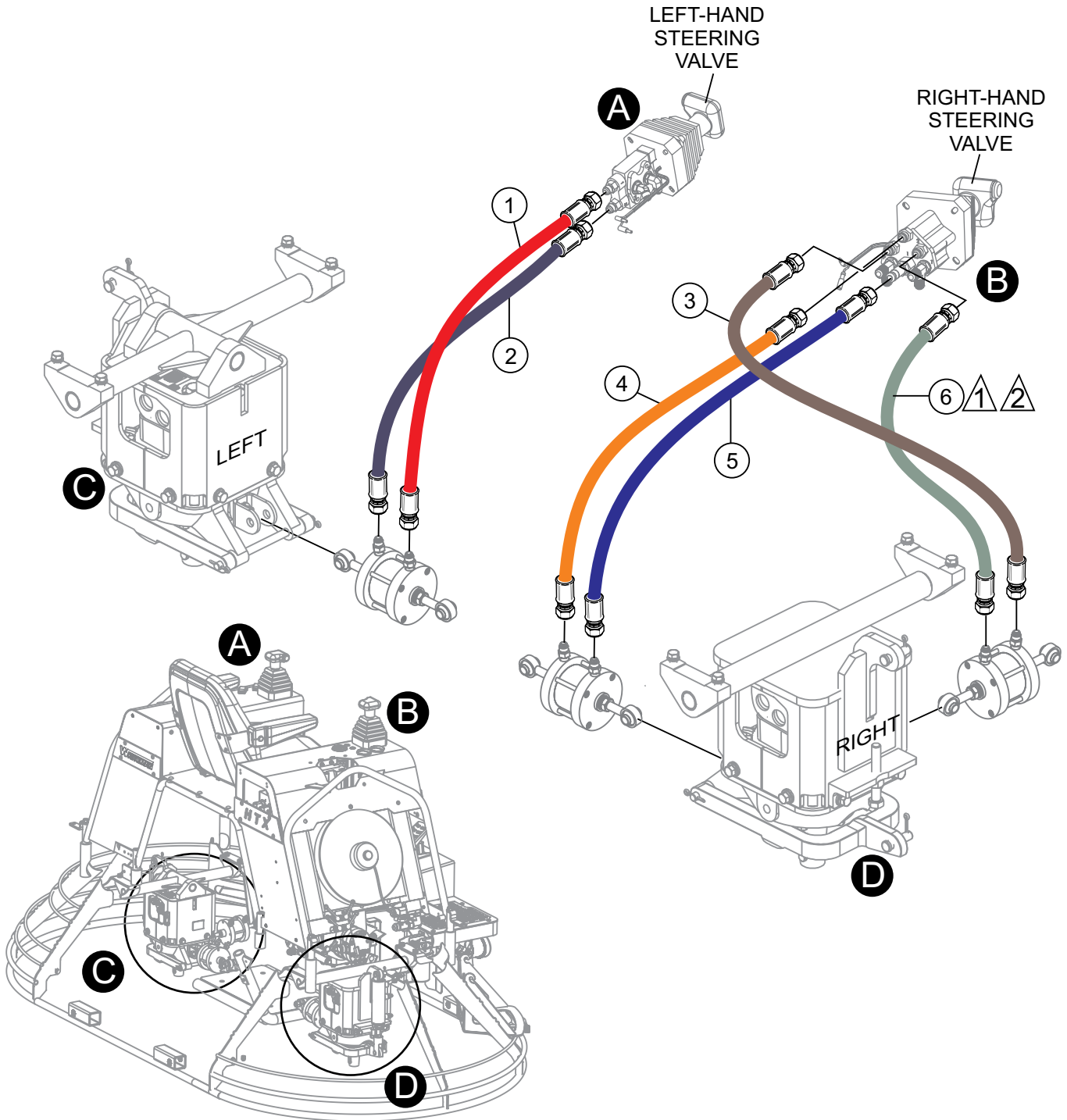
NOTES:

- ▲ 1 SEE HOSE KIT ASSY. APPLIES TO ALL HYDRAULIC HOSES.
- ▲ 2 HOSE COLORS SHOWN FOR CLARITY ONLY.

HYDRAULIC HOSE ASSY. (PITCH BLOCK PORTS C1~C4)

<u>NO.</u>	<u>PART NO.</u>	<u>PART NAME</u>	<u>QTY.</u>	<u>REMARKS</u>
1	22396	HOSE ASM, 1/4 ID x 98.50"-4FJ STR ENDS	1	
2	22396	HOSE ASM, 1/4 ID x 98.50"-4FJ STR ENDS	1	
3	22423	HOSE ASM, 1/4 ID x 53.50"-4FJ STR ENDS	1	
4	22423	HOSE ASM, 1/4 ID x 53.50"-4FJ STR ENDS	1	

HYDRAULIC HOSE ASSY. (LH-RH STEERING VALVES #1)



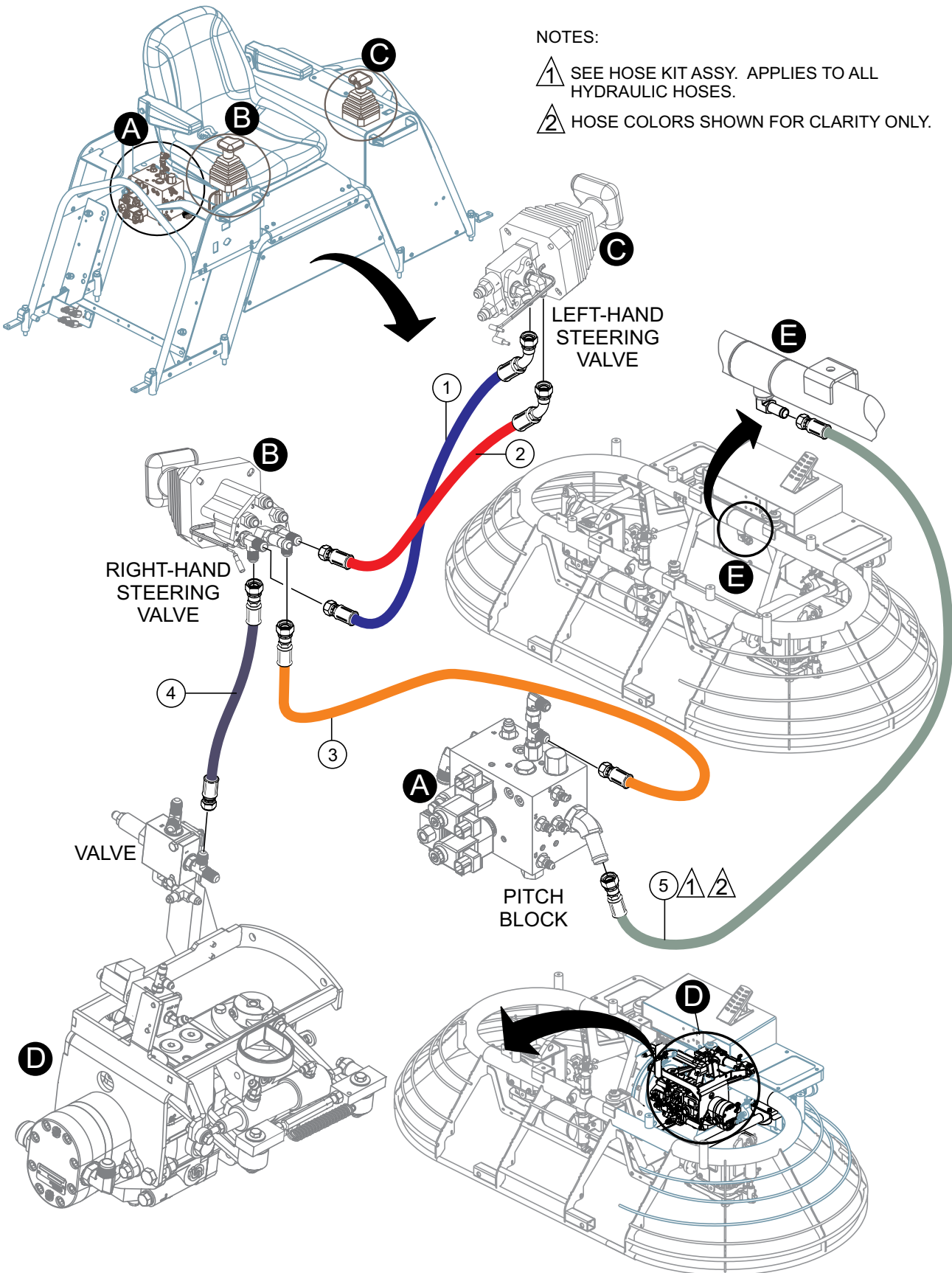
NOTES:

- ① SEE HOSE KIT ASSY. APPLIES TO ALL HYDRAULIC HOSES.
- ② HOSE COLORS SHOWN FOR CLARITY ONLY.

HYDRAULIC HOSE ASSY. (LH-RH STEERING VALVES #1)

<u>NO.</u>	<u>PART NO.</u>	<u>PART NAME</u>	<u>QTY.</u>	<u>REMARKS</u>
1	22427	HOSE ASM, 3/8 ID x 45.50"-6FJ STR ENDS	1	
2	22427	HOSE ASM, 3/8 ID x 45.50"-6FJ STR ENDS	1	
3	22428	HOSE ASM, 3/8 ID x 42.00"-6FJ STR ENDS	1	
4	22428	HOSE ASM, 3/8 ID x 42.00"-6FJ STR ENDS	1	
5	21995	HOSE ASM, 3/8 ID x 40.50" STR ENDS	1	
6	22428	HOSE ASM, 3/8 ID x 42.00"-6FJ STR ENDS	1	

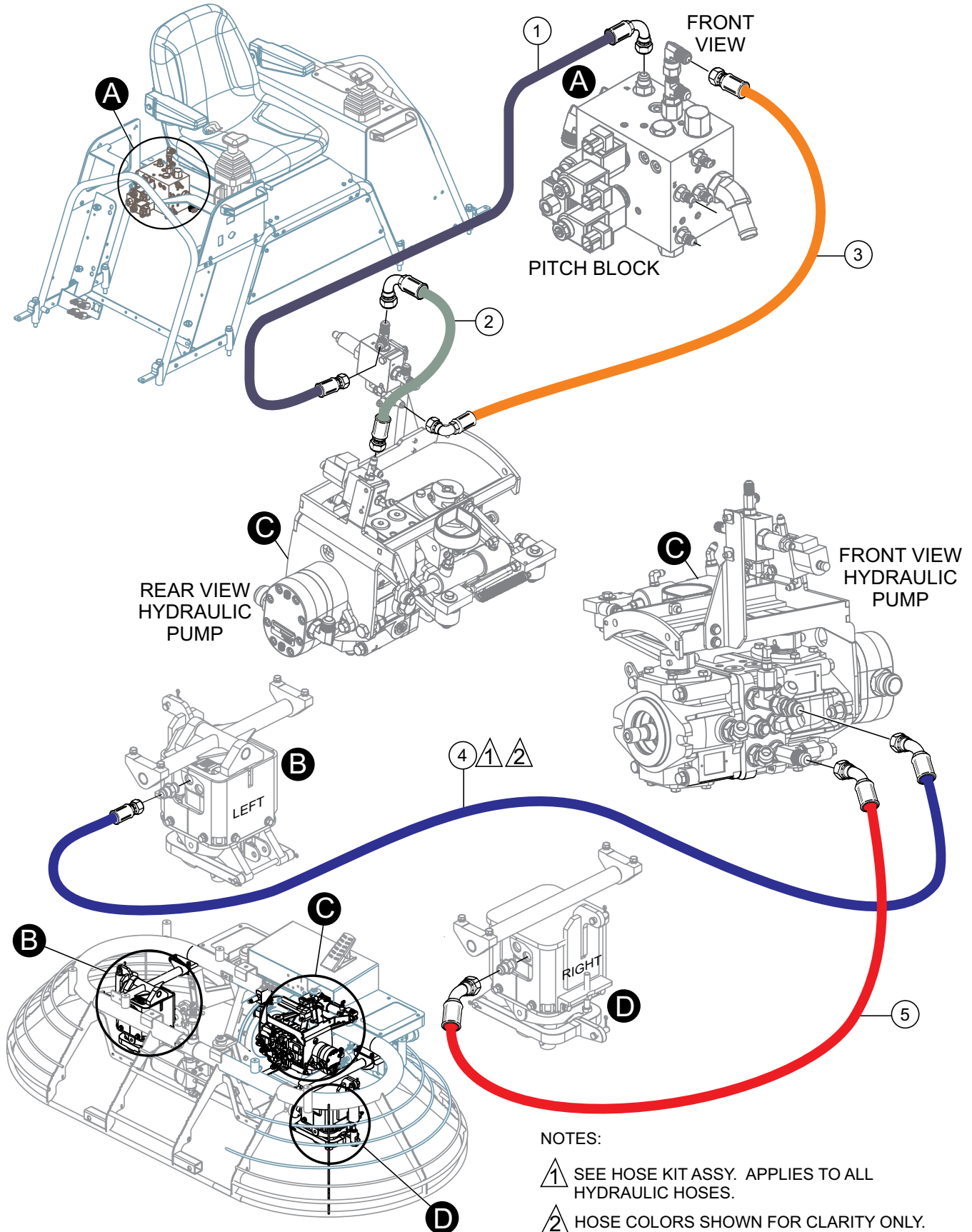
HYDRAULIC HOSE ASSY. (LH-RH STEERING VALVES #2)



HYDRAULIC HOSE ASSY. (LH-RH STEERING VALVES #2)

<u>NO.</u>	<u>PART NO.</u>	<u>PART NAME</u>	<u>QTY.</u>	<u>REMARKS</u>
1	21695	HOSE ASM, 3/8 ID x 40.00" STR AND LG 90° ENDS	1	
2	21695	HOSE ASM, 3/8 ID x 40.00" STR AND LG 90° ENDS	1	
3	21771	HOSE ASM, 3/8 ID x 11.50" STR ENDS	1	
4	22694	HOSE ASM, 3/8 ID x 20.50" STR AND 90° ENDS	1	
5	22424	HOSE ASM, 3/4 ID x 38.00" MEGAVAC	1	

HYD. HOSE ASSY. (PITCH BLOCK PORTS SP-T3/HYD. MOTOR)



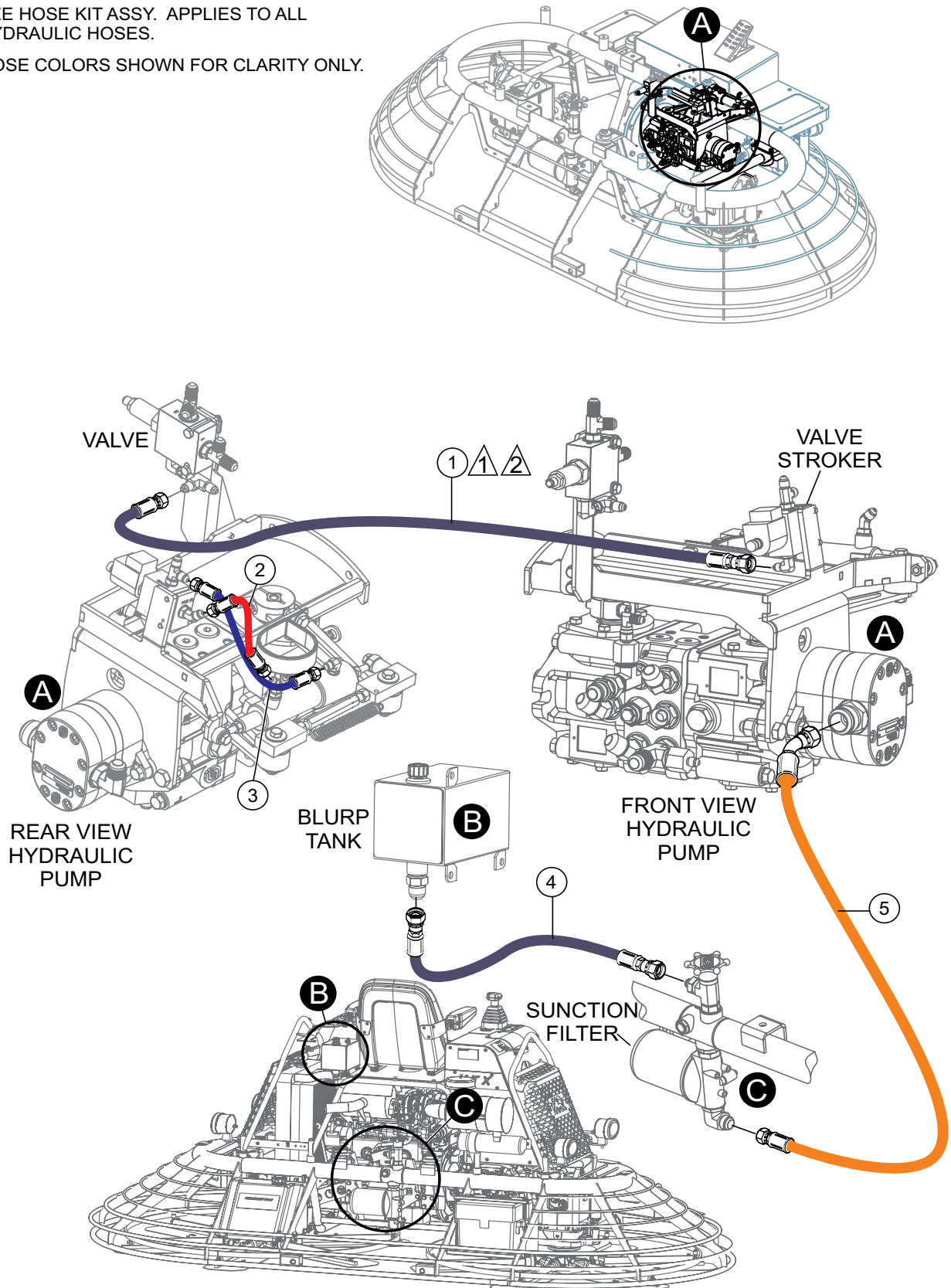
HYD. HOSE ASSY. (PITCH BLOCK PORTS SP-T3/HYD. MOTOR)

<u>NO.</u>	<u>PART NO.</u>	<u>PART NAME</u>	<u>QTY.</u>	<u>REMARKS</u>
1	22911	HOSE ASM, 3/8 ID x 23.00"-6STR AND-6 90°FJ ENDS	1	
2	22837	HOSE ASM, 1/4 ID x 13.5" STR AND 90° ENDS	1	
3	22477	HOSE ASM, 1/4 ID x 24" STR AND 90° ENDS	1	
4	22391	HOSE ASM, 5/8 ID x 55.50" STR AND 45° ENDS	1	
5	22403	HOSE ASM, 5/8 ID x 22.00" 45° BOTH ENDS	1	

HYD. HOSE ASSY. (BURP TANK/SUNCTION FILTER/VALVES)

NOTES:

- ① SEE HOSE KIT ASSY. APPLIES TO ALL HYDRAULIC HOSES.
- ② HOSE COLORS SHOWN FOR CLARITY ONLY.



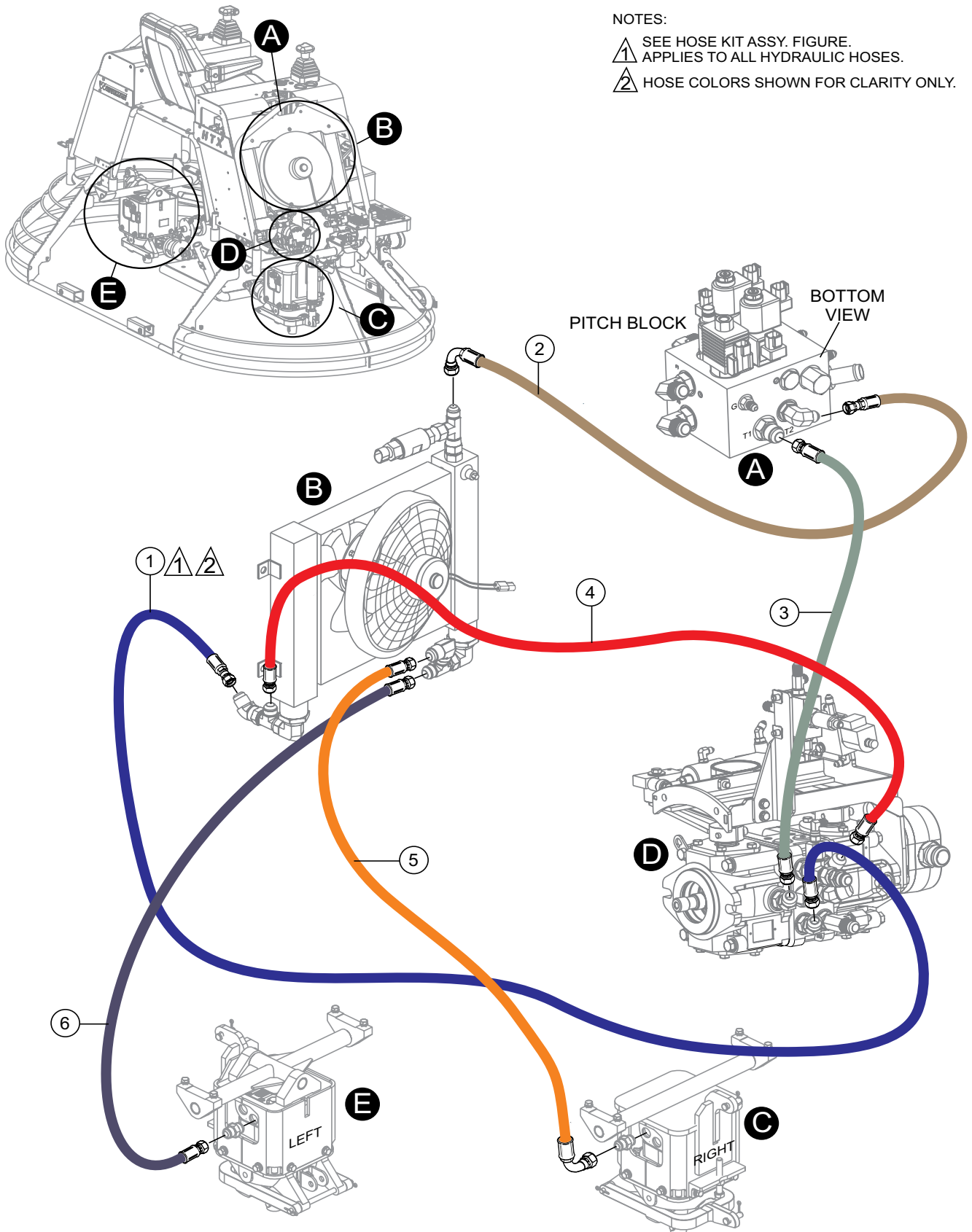
HYD. HOSE ASSY. (BURP TANK/SUNCTION FILTER/VALVES)

<u>NO.</u>	<u>PART NO.</u>	<u>PART NAME</u>	<u>QTY.</u>	<u>REMARKS</u>
1	22836	HOSE ASM, 1/4 ID x 11.0" STR AND 90° ENDS	1	
2	22476	HOSE ASM, 1/4 ID x 8.00" STR ENDS	1	
3	22475	HOSE ASM, 1/4 ID x 10.00" STR ENDS	1	
4	22430	HOSE ASM, 5/8 ID x 22.0" STR ENDS-PUSH LOC	1	
5	21816	HOSE ASM, 1.00" ID x 29.00" STR AND 45 ENDS	1	

HYDRAULIC HOSE ASSY. (PITCH BLOCK/COOLER/ PUMP)

NOTES:

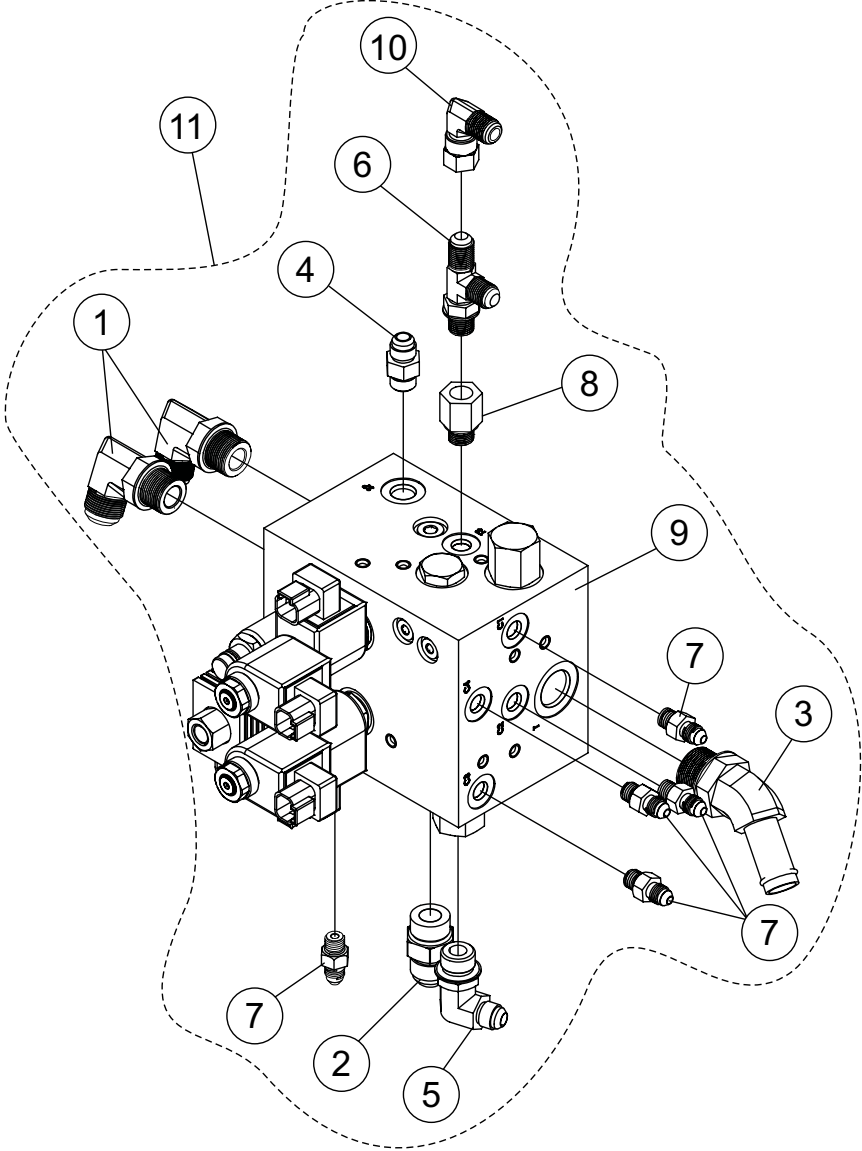
- ① SEE HOSE KIT ASSY. FIGURE.
APPLIES TO ALL HYDRAULIC HOSES.
- ② HOSE COLORS SHOWN FOR CLARITY ONLY.



HYDRAULIC HOSE ASSY. (PITCH BLOCK/COOLER/ PUMP)

<u>NO.</u>	<u>PART NO.</u>	<u>PART NAME</u>	<u>QTY.</u>	<u>REMARKS</u>
1	22771	HOSE ASM, 5/8 ID x 19" STR ENDS	1	
2	22694	HOSE ASM, 3/8 ID x 20.50" STR&90° ENDS	1	
3	22425	HOSE ASM, 1/2 ID x 22.50" STR ENDS	1	
4	22771	HOSE ASM, 5/8 ID x 19" STR ENDS	1	
5	22392	HOSE ASM, 5/8 ID x 18.50" 12-90 AND 12FJ-STR END	1	
6	22390	HOSE ASM, 5/8 ID x 79.50"-12FJ STR ENDS	1	

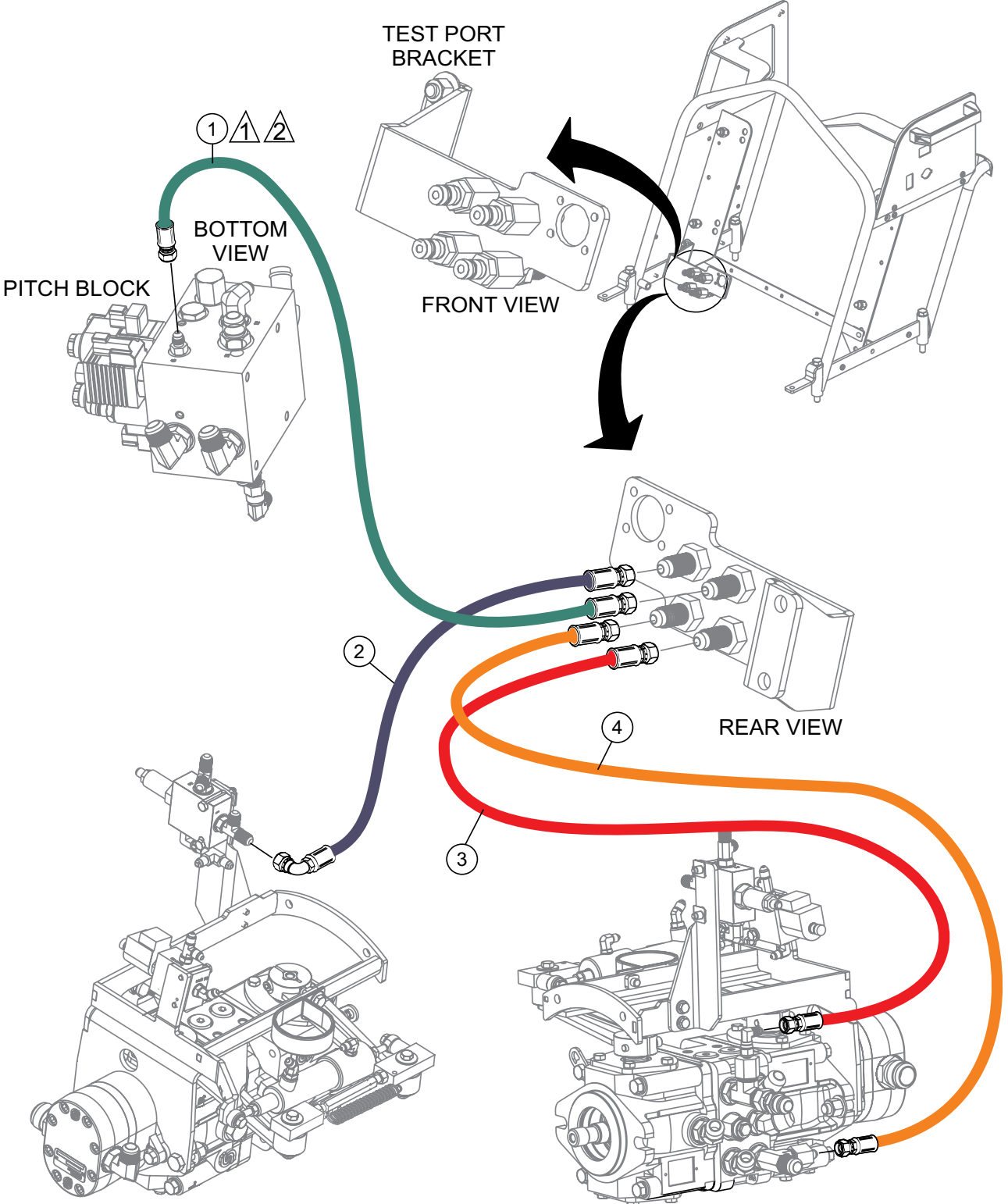
PITCH BLOCK ASSY.



PITCH BLOCK ASSY.

<u>NO.</u>	<u>PART NO.</u>	<u>PART NAME</u>	<u>QTY.</u>	<u>REMARKS</u>
1\$	3322	FITTING, 90 10MJ-10MO	2	
2\$	3365	FITTING, STR 10MJ-10MO	1	
3\$	3366	FITTING, 45 12BARB-12MO	1	
4\$	11721	FITTING, STR 6MJ-6MO	1	
5\$	11723	FITTING, 90 6MJ-8MO	1	
6\$	12159	FITTING, TEE 6MJ-6MJ-6MO RUN	1	
7\$	21095	FITTING, STR 4MJ - 4MO	5	
8\$	21114	FITTING, STR 6FO-6MO	1	
9\$	22233	PITCH BLOCK-HIC	1	
10\$	26798	FITTING, 90 6MJ-6FJ	1	
11	22860	PITCH BLOCK ASSY.....	1.....	INCLUDES ITEMS W/ \$

HYDRAULIC TEST PORT HOSES ASSY.

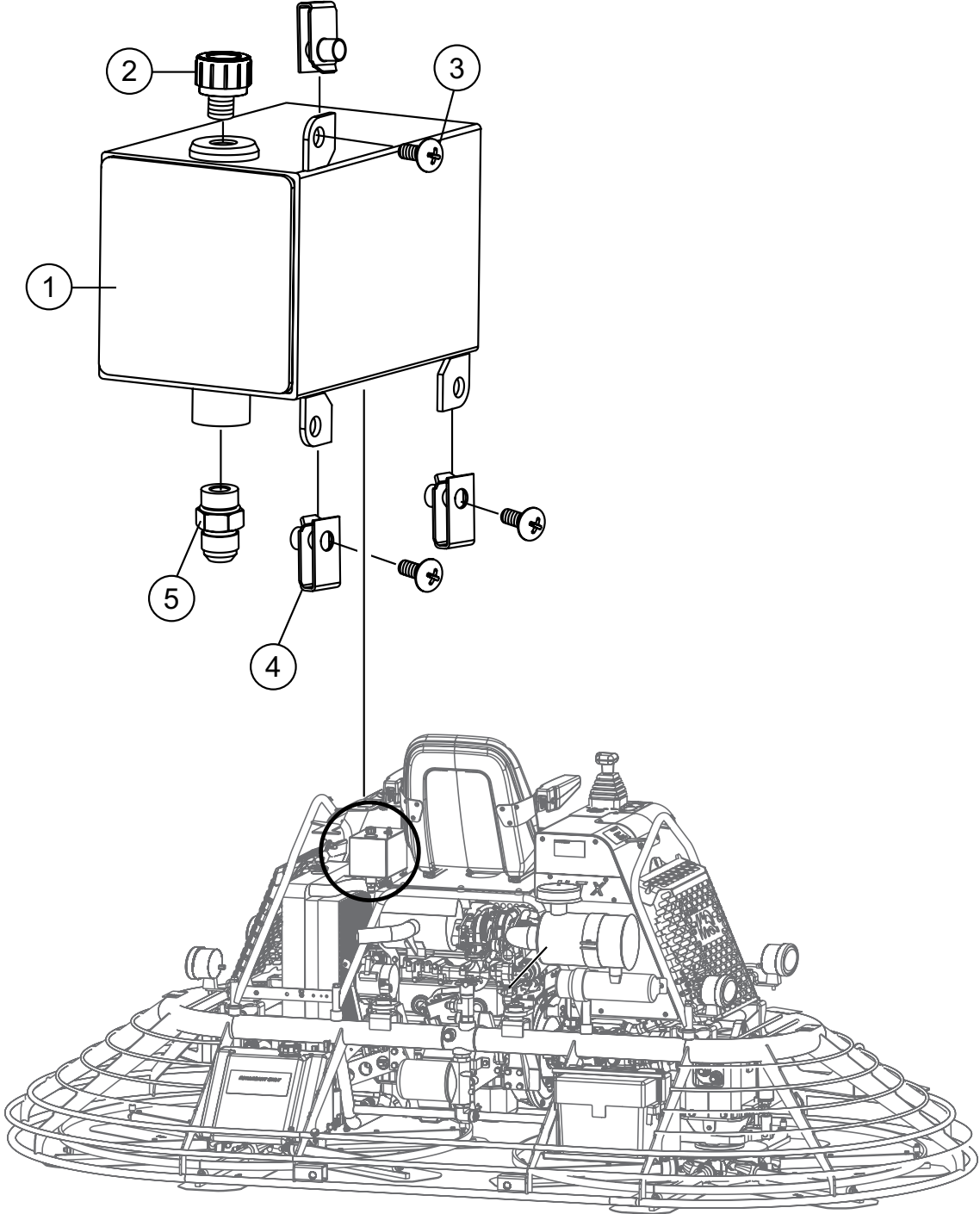


- NOTES:
- 1 SEE HOSE KIT ASSY. APPLIES TO ALL HYDRAULIC HOSES.
 - 2 HOSE COLORS SHOWN FOR CLARITY ONLY.

HYDRAULIC TEST PORT HOSES ASSY.

<u>NO.</u>	<u>PART NO.</u>	<u>PART NAME</u>	<u>QTY.</u>	<u>REMARKS</u>
1	22478	HOSE ASM, 1/4 ID x 22.50" STR ENDS	1	
2	22838	HOSE ASM, 1/4 ID x 22.0" STR AND 90° ENDS	1	
3	22394	HOSE ASM, 1/4 ID x 16.25" STR ENDS	1	
4	22394	HOSE ASM, 1/4 ID x 16.25" STR ENDS	1	

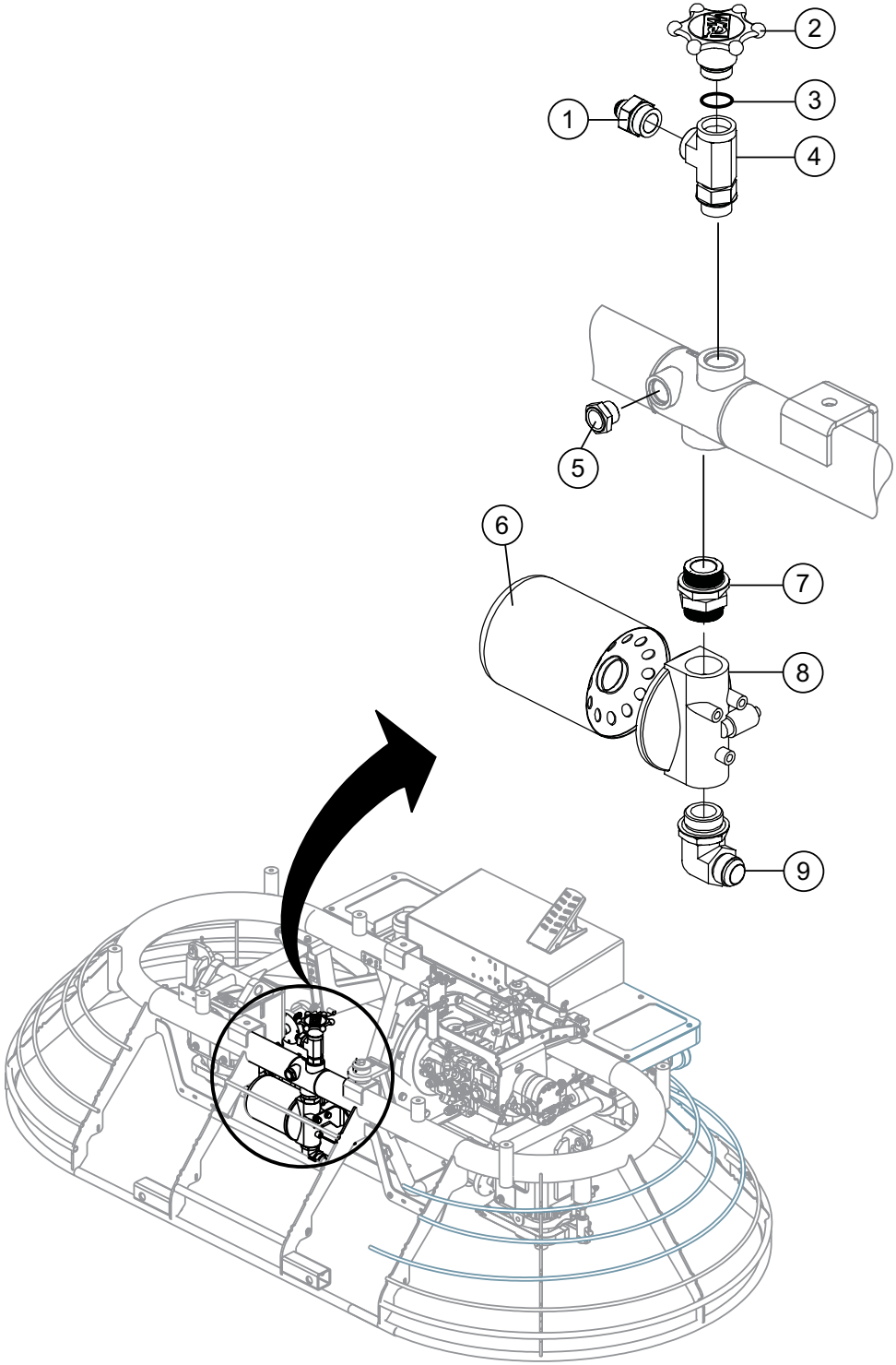
BURP TANK ASSY.



BURP TANK ASSY.

<u>NO.</u>	<u>PART NO.</u>	<u>PART NAME</u>	<u>QTY.</u>	<u>REMARKS</u>
1	22444	TANK, W/A, HYD BURP	1	
2	21513	BREATHER, FILTER 10 MICRON 1/4MP	1.....	PLASTIC
3	12287	SCREW, THP 1/4-20 X 3/4 SS	3	
4	11534	NUT, "U" TYPE, 1/4-20	3	
5	3365	FITTING, STR 10MJ-10MO	1	

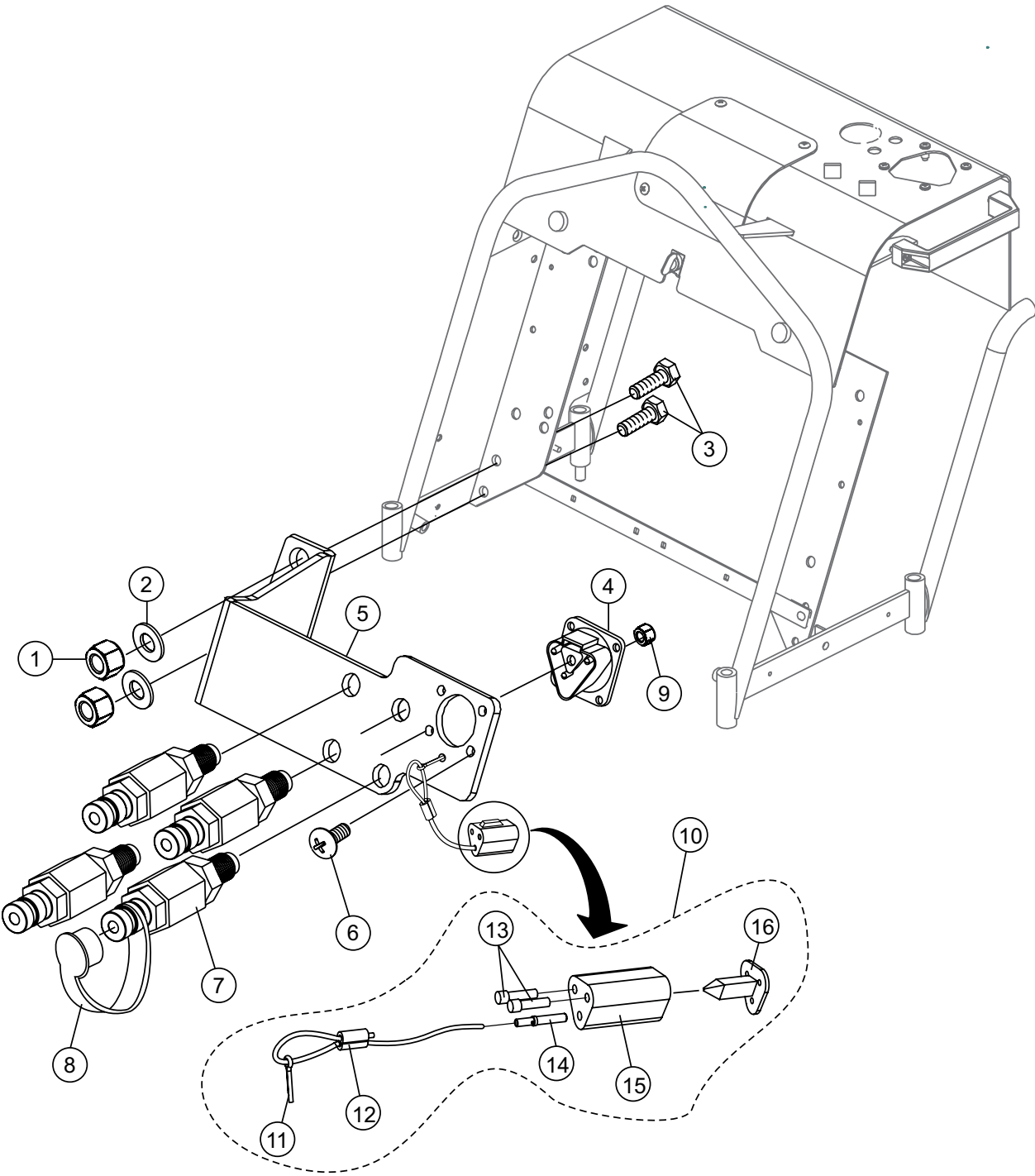
SUCTION FILTER ASSY.



SUCTION FILTER ASSY.

<u>NO.</u>	<u>PART NO.</u>	<u>PART NAME</u>	<u>QTY.</u>	<u>REMARKS</u>
1	22116	FITTING, STR 10MJ -16MO	1	
2	21400	PLUG, HYDRAULIC HAND WHEEL	1	
3	21406	O-RING, SIZE-16 BUNA-N 90	1	
4	22115	FITTING, TEE 16MO -16FO -16FO	1	
5	21109	SIGHT GLASS ,DASH 12 ORB STEEL	1	
6	22371	FILTER, SUCTION 5" 10 MICRON SYN LHA	1	
7	21407	FITTING, STR 20MO-20MO ADJ	1	
8	22370	HOUSING, FILTER LHA SP50S*DN2	1	
9	21814	FITTING, 90 16MJ-20MO	1	

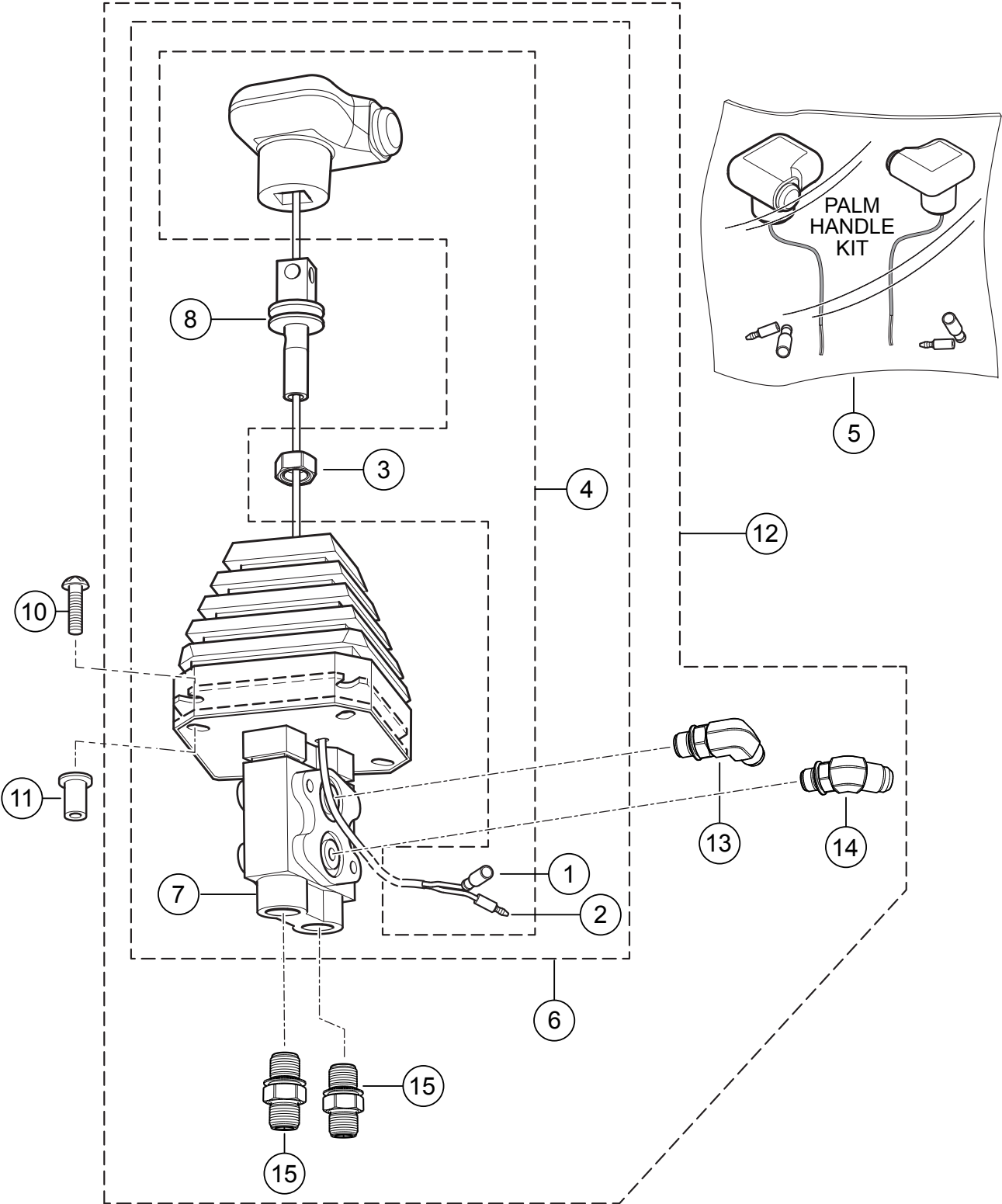
TEST PORT ASSY.



TEST PORT ASSY.

<u>NO.</u>	<u>PART NO.</u>	<u>PART NAME</u>	<u>QTY.</u>	<u>REMARKS</u>
1	10133	NUT, NYLOC 3/8-16	2	
2	10136	WASHER, FLAT SAE 3/8	2	
3	0205	SCREW, HHC 3/8-16 X 1.0	4	
4		CONNECTOR, MALE	1.....	NOT SERVICED; MUST PURCHASE WIRING HARNES P/N 22793
5	22450	MOUNT, GAUGE PORT	1	
6	15175	SCREW, PHP 8-32 X 3/4"	4	
7	22789	FITTING, SERVICE PORT, 4MJ BLK-HEAD	4	
8	12148	CAP, DUST DIAG PARKER PD6-285	4	
9	13287	NUT, NYLOC 8-32	4	
10	23913	LANYARD, 3-WAY PLUG, DT SERIES	1.....	INCLUDES ITEMS W/#
11#	5117	PIN, COTTER 1/16Dx1/2	1	
12#	23914	LANYARD, .0625 DIA GALVANIZED WIRE	1	
13#	EE37935	PLUG, SEALING INDUST CONN. # 12 &16	2	
14#	EE37738	PIN, CONTACT SOCKET SIZE 16	1	
15#	23912	PLUG, 3 WAY, DT SERIES	1	
16#	EE37737	WEDGE LOCK, 3-PIN PLUG, DT SERIES	1	

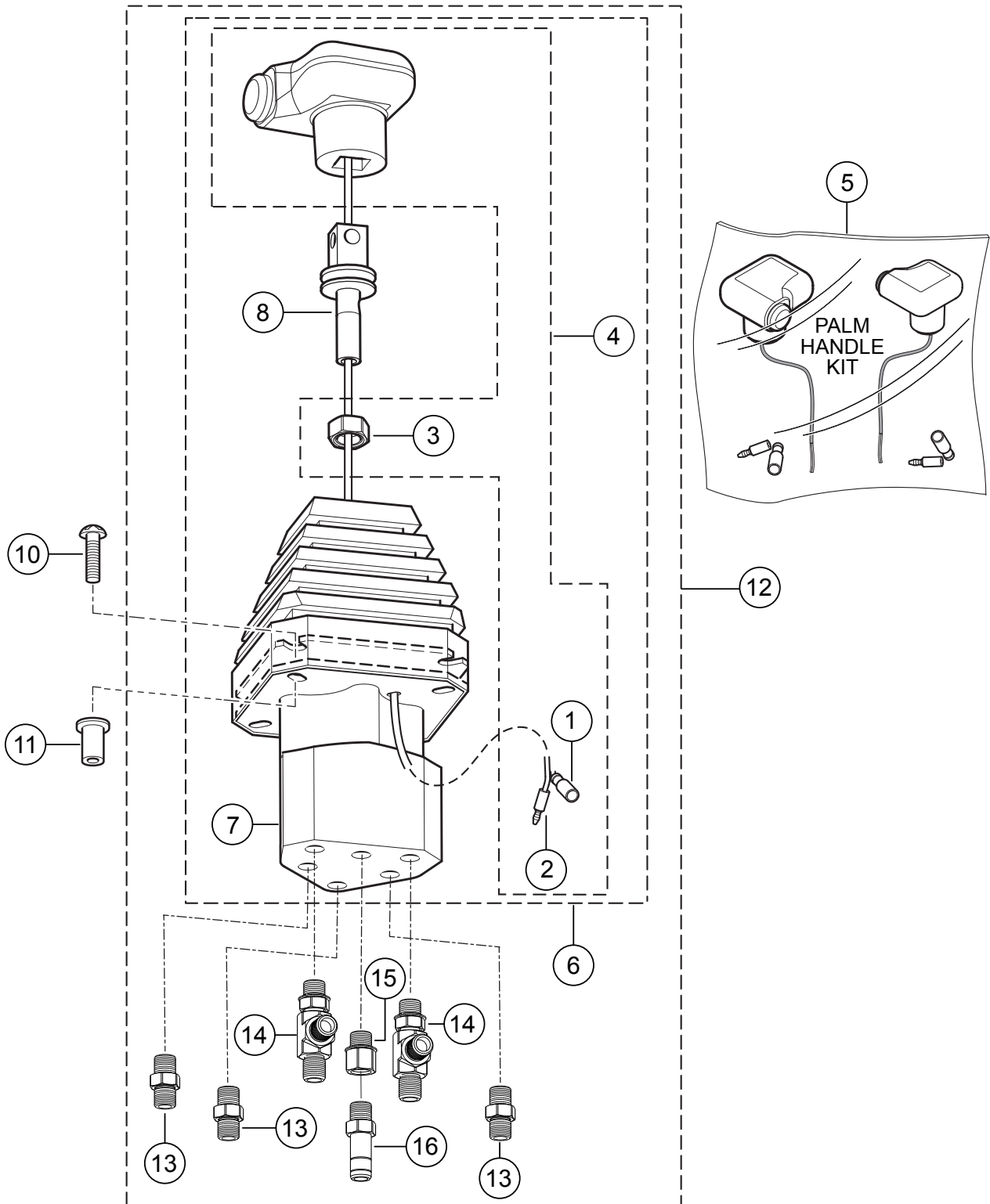
LEFT-HAND VALVE ASSY.



LEFT-HAND VALVE ASSY.

<u>NO.</u>	<u>PART NO.</u>	<u>PART NAME</u>	<u>QTY.</u>	<u>REMARKS</u>
1#%	1318	TERMINAL, BULLET, FEM, 18-22	1	
2#%	4692	TERMINAL, BULLET, MALE, 14-16	1	
3#%	16083	NUT, HEX M12-1.75 NO PLATE	1	
4#%	22001	HANDLE, PALM W/SWITCH, LEFT.....	1	INCLUDES ITEMS W/\$
5	20165	KIT, PALM HNDL W/TOGGLE SWITCH	1	
6%	20831	VALVE, LH STRG W/SWITCH ASSY.....	1	INCLUDES ITEMS W/#
7#%	20833	VALVE, LH STEERING	1	
8#%	21053	ADAPTOR, LH PALM HANDLE	1	
9#%	21631	BOOT, STEERING HANDLE	1	
10	12287	SCREW, THP 1/4-20 X 3/4 SS	4	
11	19266	NUT, BLIND 1/4-20 X .027-.165	4	
12	22862	VALVE ASSY., HYD, LH STEERING.....	1	INCLUDES ITEMS W/%
13%	11722	FITTING, 90° 6MJ-6MO	1	
14%	11780	FITTING, 45° 6MJ-6MO	1	
15%	11721	FITTING, STR 6MJ-6MO	2	

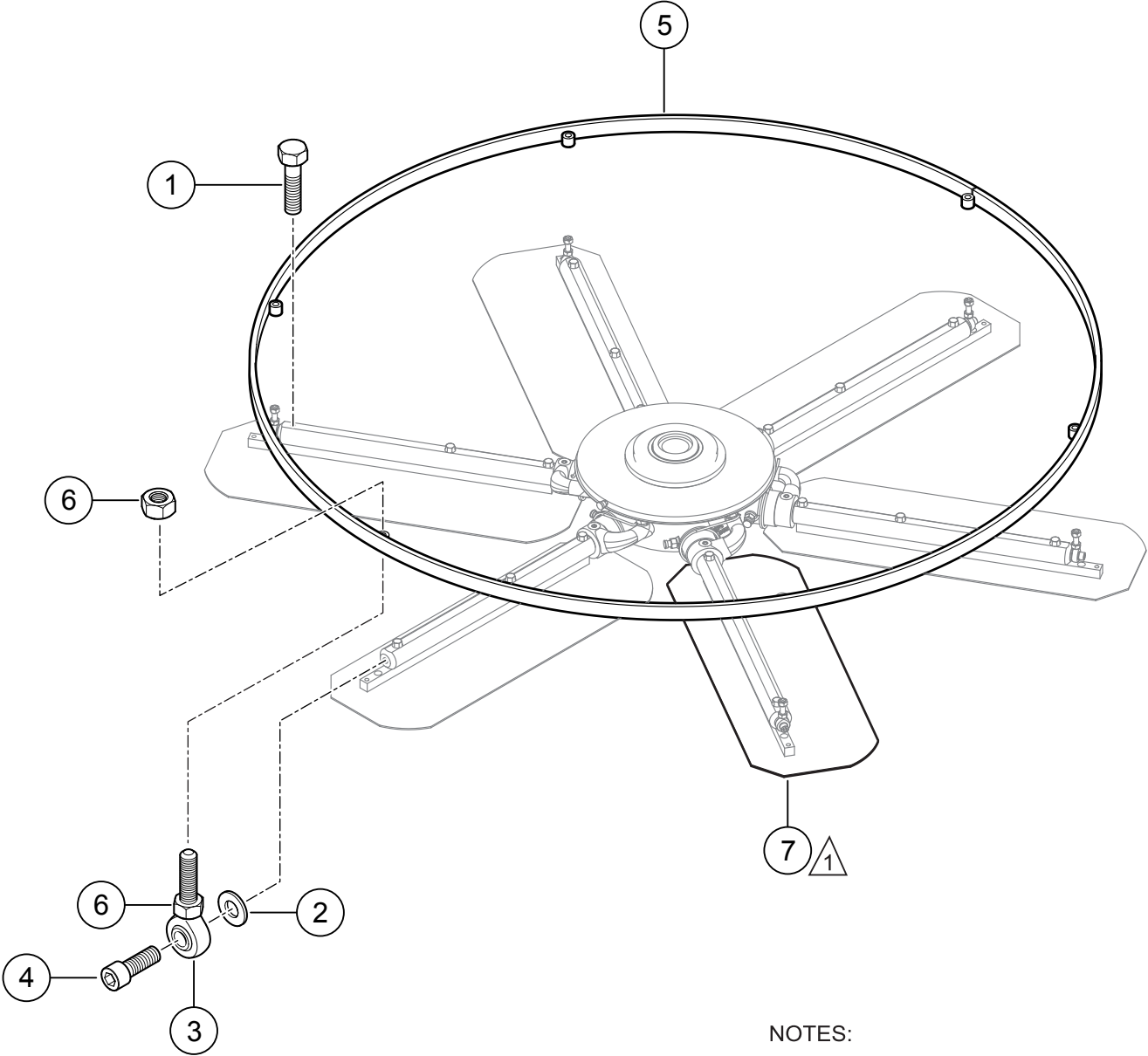
RIGHT-HAND VALVE ASSY.



RIGHT-HAND VALVE ASSY.

<u>NO.</u>	<u>PART NO.</u>	<u>PART NAME</u>	<u>QTY.</u>	<u>REMARKS</u>
1#%	1318	TERMINAL, BULLET, FEM, 18-22	1	
2#%	4692	TERMINAL, BULLER, MALE, 14-16	1	
3#%	16083	NUT, HEX M12-1.75 NO PLATE	1	
4#%	12999	HANDLE, PALM W/SWITCH, RH	1	INCLUDES ITEMS W/\$
5	20165	KIT, PALM HNDL W/TOGGLE SWITCH	1	
6%	20829	VALVE, RH STEERING W/SWITCH ASSY.....	1	INCLUDES ITEMS W/#
7#%	20832	VALVE, RH STEERING	1	
8#%	20834	ADAPTER, PALM HANDLE	1	
9#%	21631	BOOT, STEERING HANDLE	1	
10	12287	SCREW, THP 1/4-20 x 3/4 SS	4	
11	19266	NUT, BLIND 1/4-20 X .027-.165	4	
12	22861	VALVE ASSY., HYD, RH STEERING	1	INCLUDES ITEMS W/%
13%	11721	FITTING, STR 6MJ-6MO	3	
14%	12159	FITTING, TEE 6MJ-6MJ-6MO RUN	2	
15%	21114	FITTING, STR 6FO-6MO	1	
16%	21115	FITTING, STR 6MJ-6MO LONG	1	

STABILIZER ASSY.



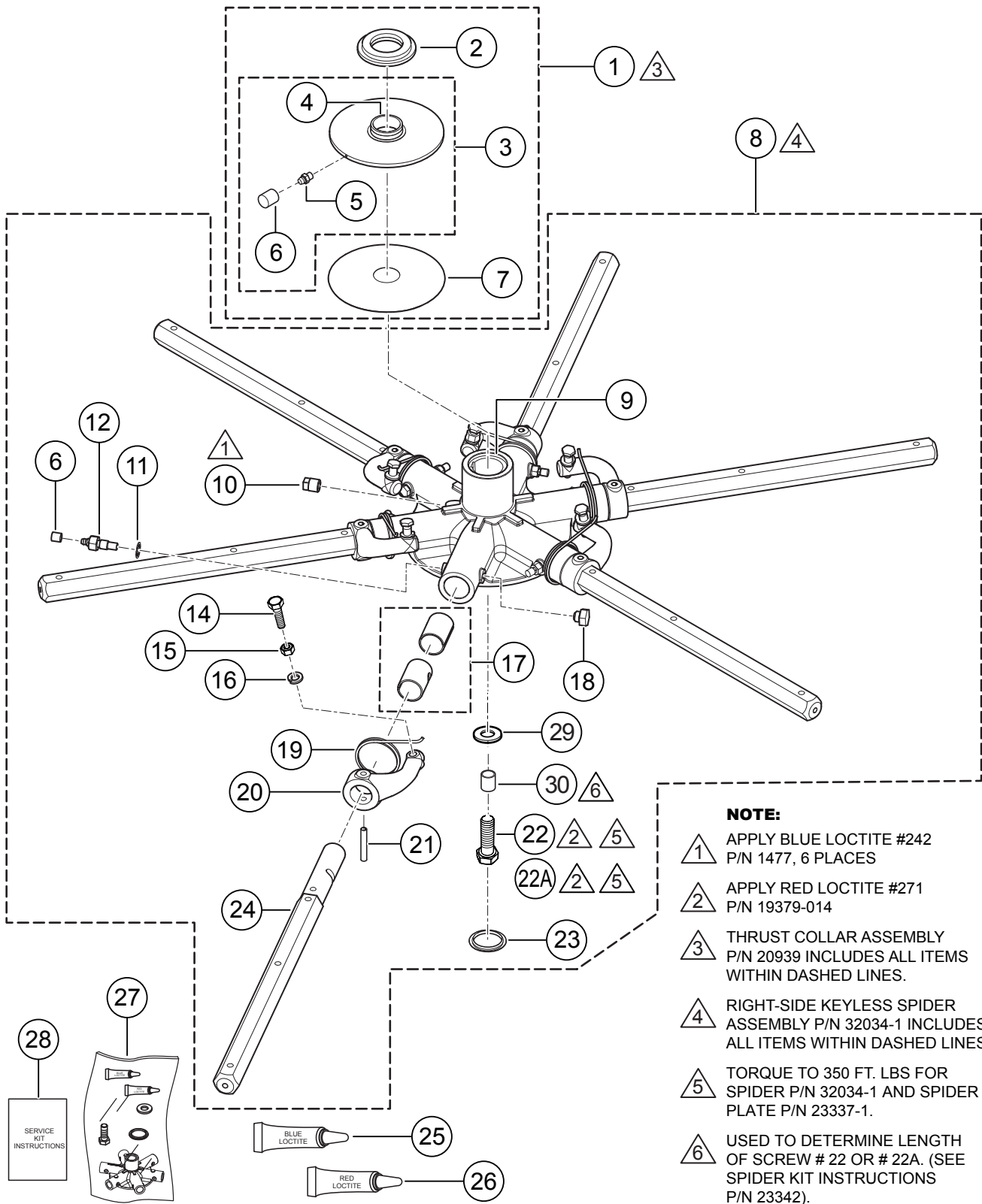
NOTES:

 TO PURCHASE BLADES
CONTACT UNIT SALES DEPT.

STABILIZER ASSY.

<u>NO.</u>	<u>PART NO.</u>	<u>PART NAME</u>	<u>QTY.</u>	<u>REMARKS</u>
1	22174	SCREW, HHFS 5/16-18 X 1-3/4 GR5	38	
2	0300 B	WASHER, FLAT SAE 5/16	12	
3	1723	ROD END 5/16-24 MALE RH	12	
4	1237	SCREW, SHC 5/16-18 X 7/8 NYLOC	12	
5	32031	RING, STABILIZER W/A 6 BLD HTXD6i	2	
6	6014 C	NUT, HEX FINISH 5/16-24	24	
7		BLADE ASSY.....	12.....	CONTACT UNIT SALES

6-BLADE SPIDER ASSY. (LEFT-SIDE)



NOTE:

- ▲1 APPLY BLUE LOCTITE #242
P/N 1477, 6 PLACES
- ▲2 APPLY RED LOCTITE #271
P/N 19379-014
- ▲3 THRUST COLLAR ASSEMBLY
P/N 20939 INCLUDES ALL ITEMS
WITHIN DASHED LINES.
- ▲4 RIGHT-SIDE KEYLESS SPIDER
ASSEMBLY P/N 32034-1 INCLUDES
ALL ITEMS WITHIN DASHED LINES.
- ▲5 TORQUE TO 350 FT. LBS FOR
SPIDER P/N 32034-1 AND SPIDER
PLATE P/N 23337-1.
- ▲6 USED TO DETERMINE LENGTH
OF SCREW # 22 OR # 22A. (SEE
SPIDER KIT INSTRUCTIONS
P/N 23342).

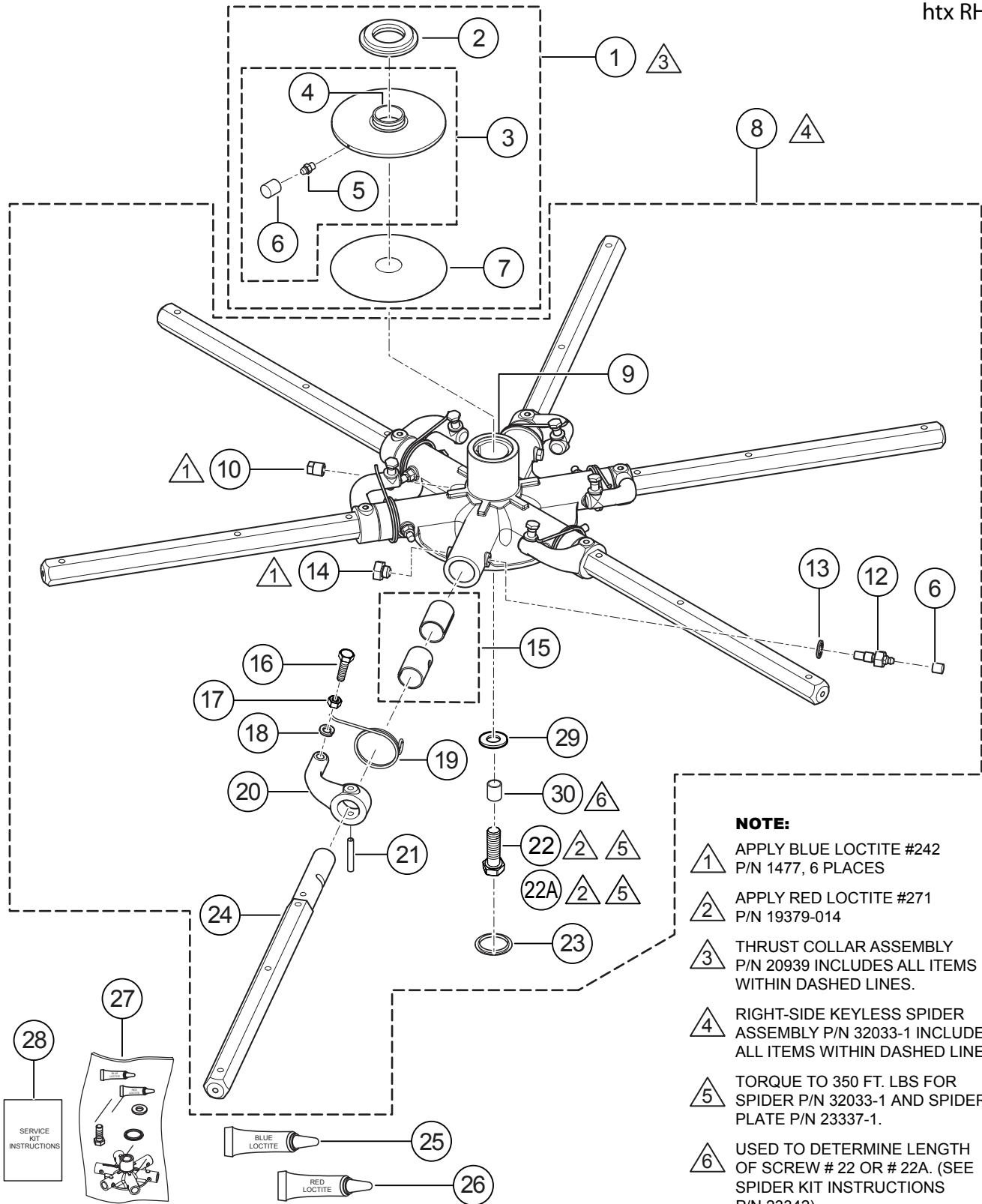
6-BLADE SPIDER ASSY. (LEFT-SIDE)

<u>NO.</u>	<u>PART NO.</u>	<u>PART NAME</u>	<u>QTY.</u>	<u>REMARKS</u>
1	20939	THRUST COLLAR ASSY.	1.....	INCLUDES ITEMS W/@
2@	12779	BEARING, THRUST 6017 2 RS. W/FLANGE	1	
3@	12315	THRUST COLLAR W/BUSHING	1.....	INCLUDES ITEMS W/\$
4@\$	12316	BUSHING, THRUST COLLAR	1	
5@	2621	ZERK, GREASE STR 1/4-28	1	
6#@	1162 A	CAP, GREASE ZERK #2	7	
7@	12250	PLATE, WEAR	1	
8	32034-1	SPIDER ASSY., TAPERED, LS SILVER	1.....	INCLUDES ITEMS W/#
9#%	23337-1	SPIDER PLATE, TAPERED, 6-BLD SILVER	1	
10#	0121 A	FITTING, PLUG 3/8 MP SQ HEAD	1	
11#	1875	WASHER, INT. SHKP. 3/8	6	
12#	1322	SCREW, RETAINING	6	
14#	21031	SCREW, HHC RND"7/16-14 UNC SPCL GR8	6	
15#	07034-007	NUT, HEX JAM 7/16-14	6	
16#	2955	WASHER, LOCK 7/16 MED	6	
17#	11039	BUSHING, ARM 2 PIECE	12	
18#%	11602	SCREW, HHC 3/8-16 X 1/4	6	
19#	9111	SPRING, LS ARM RETURN, SMALL BOSS	6	
20#	21049-1	LEVER, TROWEL ARM, LS SILVER	6	
21#	32045	PIN, COILED SPRING 5/16-2.00"	6	
22#%	22465	SCREW, HHC 3/4-16 X 2-1/2, GRD8	1	
22A#%	20179	SCREW, HHC 3/4-16 X 2, GRD8	1	
23#%	20121	PLUG, SPIDER SNAP IN	1	
24#	2829-1	ARM, TROWEL, HD EXTENDED SILVER	6	
25#%	1477	LOCTITE 242 BLUR .5CC	1	
26#%	19379-014	LOCTITE 271 RED, ANAEROBIC	1	
27#	23341	SPIDER STX/HTX 6BLD SERVICE KIT	1.....	INCLUDES ITEMS W/%
28%	23342	INSTRUCTIONS, TAPERED SPIDER KIT	1.....	TO OBTAIN COPY SEE BELOW
29#%	933247	WASHER, FLAT SAE 3/4 GRD9	1	
30#%	23380	GAGE, TAPERED SPIDER BOLT	1.....	USED TO DETERMINE LENGTH OF SCREW #22 OR #22A. SEE SPIDER KIT INSTRUCTION P/N 23342

TO OBTAIN A COPY OF INSTRUCTIONS P/N 23342 GO TO WWW.MULTIQUIP.COM/LIBRARY/INSTRUCTIONS/TROWELS/RIDE-ON TROWELS HTX-STX TAPERED-KEYLESS-SPIDER P/N23342-REV-1.

6-BLADE SPIDER ASSY. (RIGHT-SIDE)

htx RH

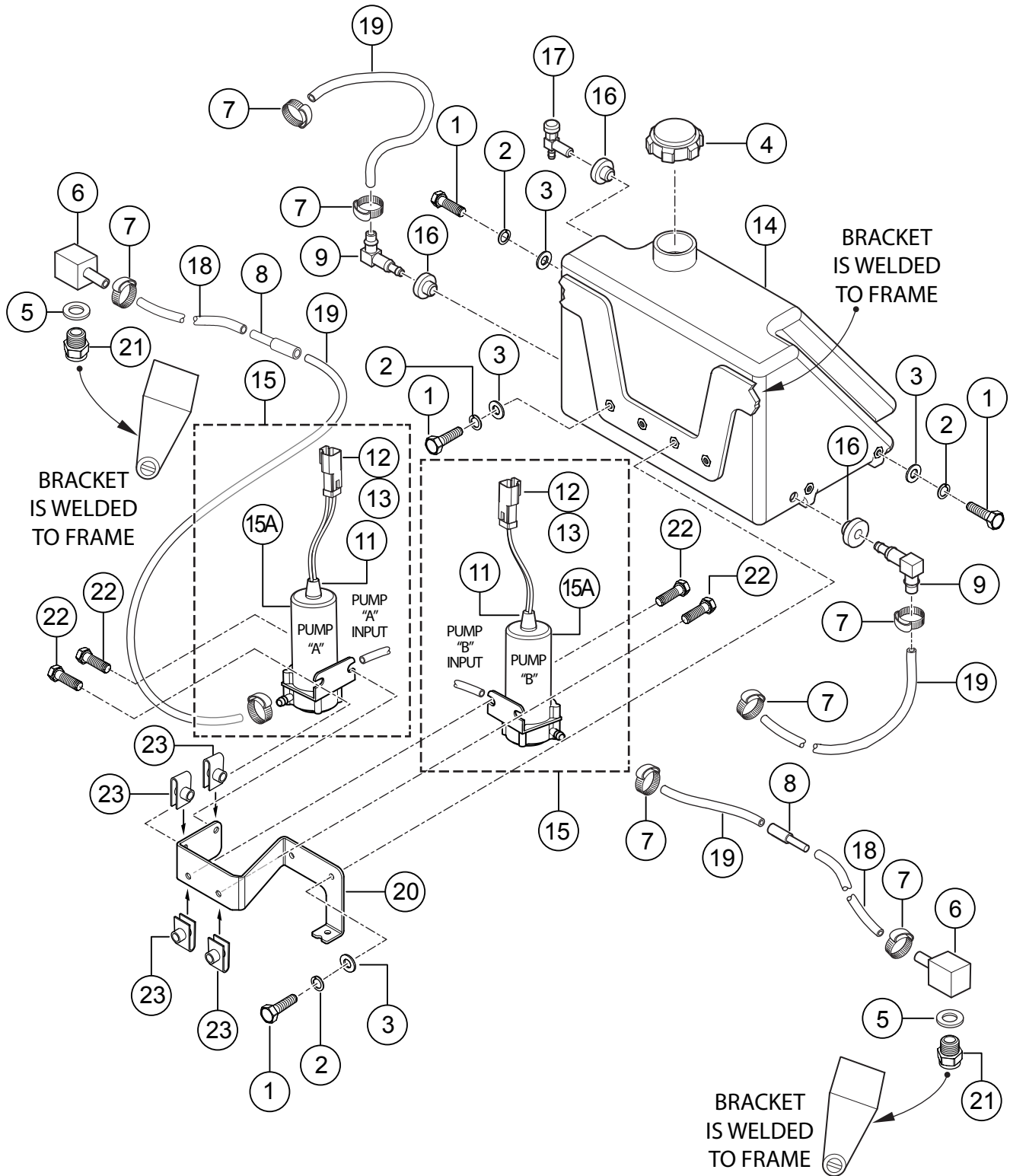


6-BLADE SPIDER ASSY. (RIGHT-SIDE)

<u>NO.</u>	<u>PART NO.</u>	<u>PART NAME</u>	<u>QTY.</u>	<u>REMARKS</u>
1	20939	THRUST COLLAR ASSY.	1	INCLUDES ITEMS W/@
2@	12779	BEARING, THRUST 6017 2 RS W/FLANGE	1	
3@	12315	THRUST COLLAR W/BUSHING	1	INCLUDES ITEM W/\$
4@\$	12316	BUSHING, THRUST COLLAR	1	
5@	2621	ZERK, GREASE ZERK #2	6	
6#@	1162 A	CAP, GREASE ZERK #2	7	
7@	12250	PLATE, WEAR	1	
8	32033-1	SPIDER ASSY. , TAPERED RS..SILVER.....	1	INCLUDERS ITEMS W/#
9#%	23337-1	SPIDER PLATE, TAPER 6-BLADE SILVER	1	
10#	0121 A	FITTING, PLUG 3/8 MP SQ HEAD	1	
12#	1322	SCREW, RETAINING	6	
13#	1875	WASHER, INT. SHKP. 3/8	6	
14#%	11602	SCREW, HHC 3/8-16 X 1/4	6	
15#	11039	BUSHING ARM 2 PIECE	12	
16#	21031	SCREW, HHC RND' 7/16-14 UNC SPCL GR8	6	
17#	07034-007	NUT, HEX JAM 7/16-14	6	
18#	2955	WASHER, LOCK, 7/16 MED.	6	
19#	2143	SPRING, RS ARM RETURN, SMALL BOSS	6	
20#	21050-1	LEVER, TROWEL ARM HYD. RS. SILVER	6	
21#	32045	PIN, COILED SPRING 5/16 X 2	6	
22#%	22465	SCREW, HHC 3/4-16 X 2-1/2 GRD8	1	
22A#%	20179	SCREW, HHC 3/4-16 X 2.00" GRD8	1	
23	20121	PLUG, SPIDER SNAP IN	1	
24#	2829-1	ARM, TROWEL, 6 BLADE SILVER	6	
25#%	1477	LOCTITE 242 BLUE .5CC	1	
26#%	19379-014	LOCTITE 271 RED, ANAEROBIC	1	
27#	23341	SPIDER STX/HTX 6BLD. SERVICE KIT.....	1	INCLUDES ITEMS W/%
28#%	23342	INSTRUCTIONS, TAPERED SPIDER KIT.....	1	TO OBTAIN COPY SEE BELOW
29#%	933247	WASHER, FLAT SAE 3/4 GRD 9YZ	1	
30#%	23380	GAGE, TAPERED SPIDER SCREW	1	USED TO DETERMINE LENGTH OF SCREW #22 OR #22A. SEE SPIDER KIT INSTRUCTIONS P/N 23342

TO OBTAIN A COPY OF INSTRUCTIONS P/N 23342 GO TO WWW.MULTIQUIP.COM/LIBRARY/INSTRUCTIONS/TROWELS/RIDE-ON TROWEL HTX-STX TAPERED-KEYLESS-SPIDER P/N23342-REV-1.

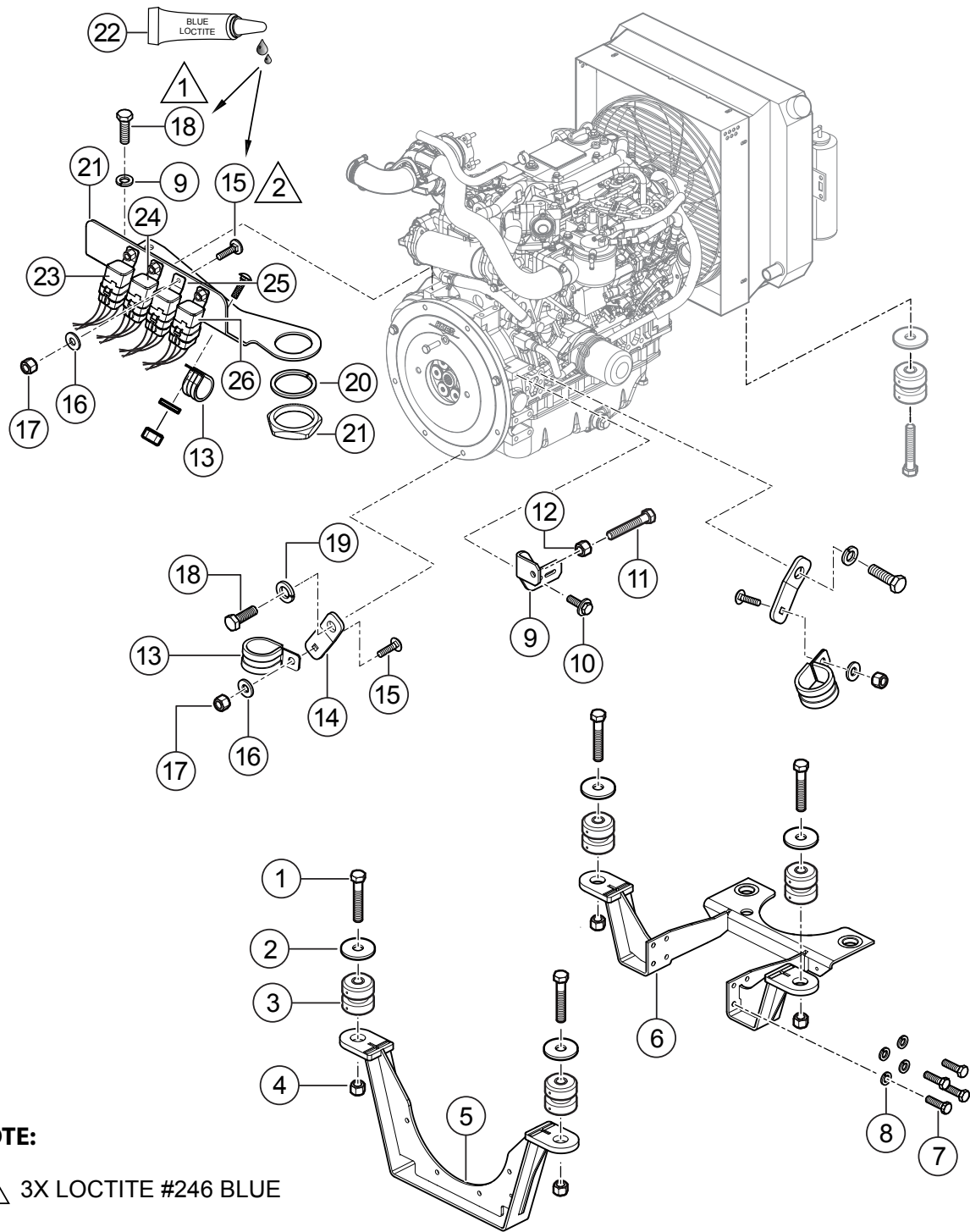
SPRAY ASSY.



SPRAY ASSY.

<u>NO.</u>	<u>PART NO.</u>	<u>PART NAME</u>	<u>QTY.</u>	<u>REMARKS</u>
1	0131 A	SCREW, HHC 1/4-20 X 3/4	6	
2	0181 B	WASHER, LOCK 1/4 MED	6	
3	0948	WASHER, FLAT 1/4 SAE	6	
4	2108	CAP, SPRAY TANK	1	
5	2898	WASHER, ROUNDED NEOPRENE 1 X 1/2	2	
6	2912	FITTING 90 DEGREE	2	
7	2918	CLAMP HOSE .475-.536 ID	8	
8	10022	FITTING, PLASTIC-TEE 1/4 BARB	2	
9	29677	FITTING, 90 DEGREE FUEL	2	
11#	12171	SEAL, WPACK 16-18 (GRN)	4	
12#	12176	CONNECTOR, WPACK 2 PIN SHROUD	2	
13#	12179	TERMINAL, WPACK MALE 14-16 GA	4	
14	12403	TANK	1	
15	23434	PUMP, SPRAY W/CONNECTORS.....	2.....	INCLUDES ITEMS W/ #
15A#	12548	PUMP, SPRAY	2	
16	19633	BUSHING, RUBBER FUEL	5	
17	19661	VALVE, DRAIN	1	
18	60001	HOSE, .25ID X .375OD TYGON 7FT 5IN.....	8.....	SOLD BY FOOT
19	60002	HOSE, .375ID X .5OD TYGON 4FT 3IN.....	5.....	SOLD BY FOOT
20	22449	MOUNT, SPRAY PUMP	1	
21	392292	NOZZLE, SPRAY2	2	
22	923203	SCREW, SHC 1/4-20 X 3/4	4	
23	11534	NUT, "U" TYPE, 1/4--20	4	

ENGINE MOUNTING ASSY.



NOTE:

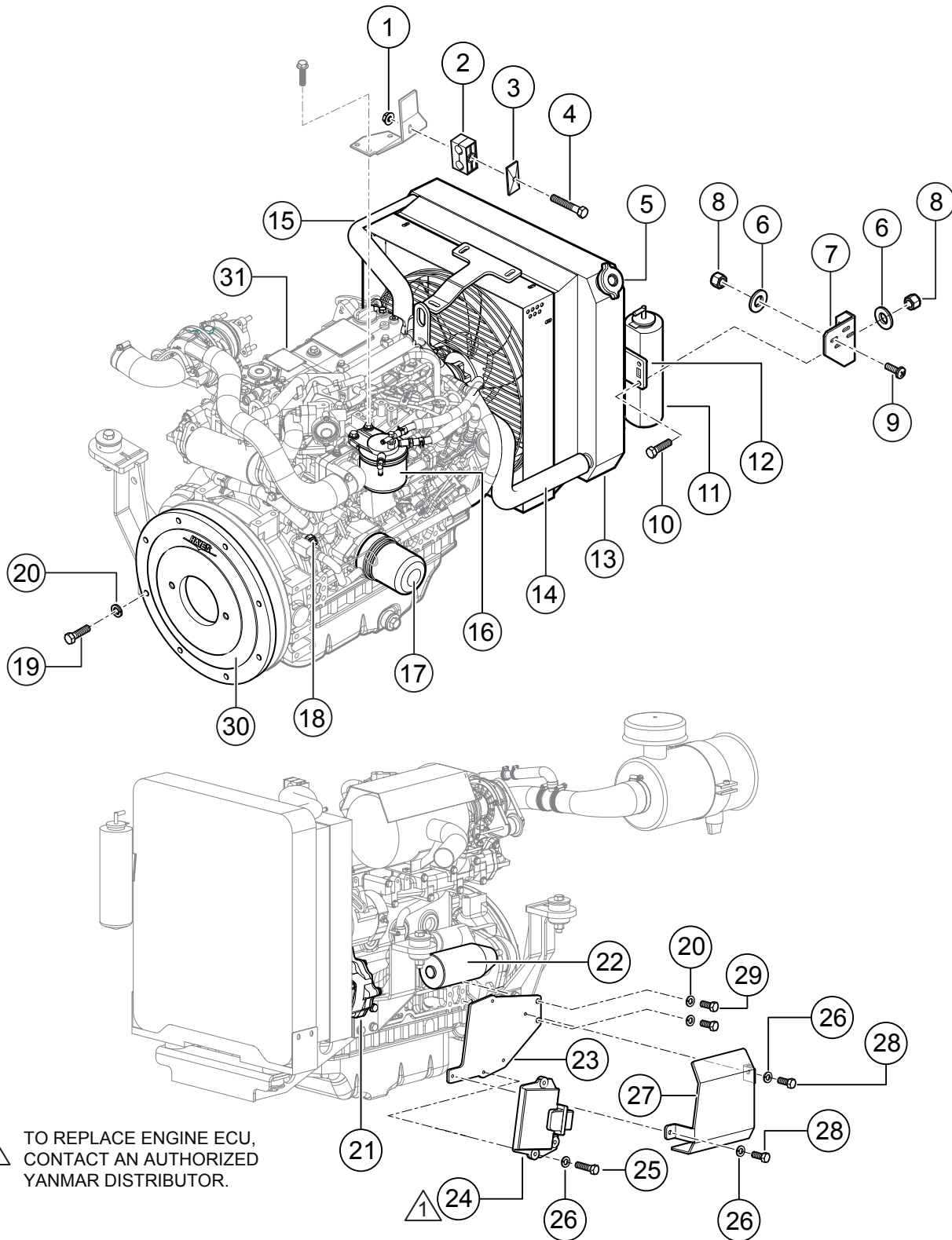
△ 1 3X LOCTITE #246 BLUE

△ 2 8X LOCTITE #246 BLUE

ENGINE MOUNTING ASSY.

<u>NO.</u>	<u>PART NO.</u>	<u>PART NAME</u>	<u>QTY.</u>	<u>REMARKS</u>
1	2549	SCREW, HHC 1/2-13 X 3	4	
2	20743	WASHER, ISO SNUB KROFUND	4	
3	20742	ISOLATOR, RB2 RING/BUSHING	4	
4	10176	NUT, NYLOC 1/2-13	4	
5	22339	MOUNT, REAR ENG W/A	1	
6	22311	MOUNT, FRONT ENGINE W/A	1	
7	16056	SCREW, HHC M10-1.5 X 25MM GRD 8.8	10	
8	2955	WASHER, LOCK 7/16 ZINC	16	
9	22696	STOP, PUMP STROKER	1	
10	22021	SCREW, HEX FLG M8-1.25 X 20MM GR10.9	2	
11	20473	SCREW, HHC 3/8-16 X 3 FULL THRD GRD	1	
12	1456	NUT, HEX FINISH 3/8-16	1	
13	21574	CLAMP, LOOP CUSHIONED #16 0.25 HOLE	4	
14	23872	BRACKET, ADAPTER	2	
15	22131	BOLT, CARRIAGE 10-32 X 3/4 ZINC	8	
16	2203	WASHER, FLAT #10	8	
17	10019	NUT, NYLOC 10-32	8	
18	16056	SCREW, HHC M10-1.5 X 25MM GRD 8.8	14	
19	23901	NUT, PANEL, DEUTSCH 24	1	
20	23902	LOCKWASHER, PANEL	1	
21	23871	MOUNT, ENGINE HARNESS	1	
22	60097	LOCTITE, #246 BLUE	AR	
23	32097	RELAY, ENGINE, SUB, D6i	1	
24	32096	RELAY, ENGINE, MAIN, D6i	1	
25	32095	RELAY, ENGINE, PRE-HEAT, D6i	1	
26	32094	RELAY, ENGINE. STARTER, D6i	1	

ENGINE COMPONENTS AND RADIATOR ASSY.



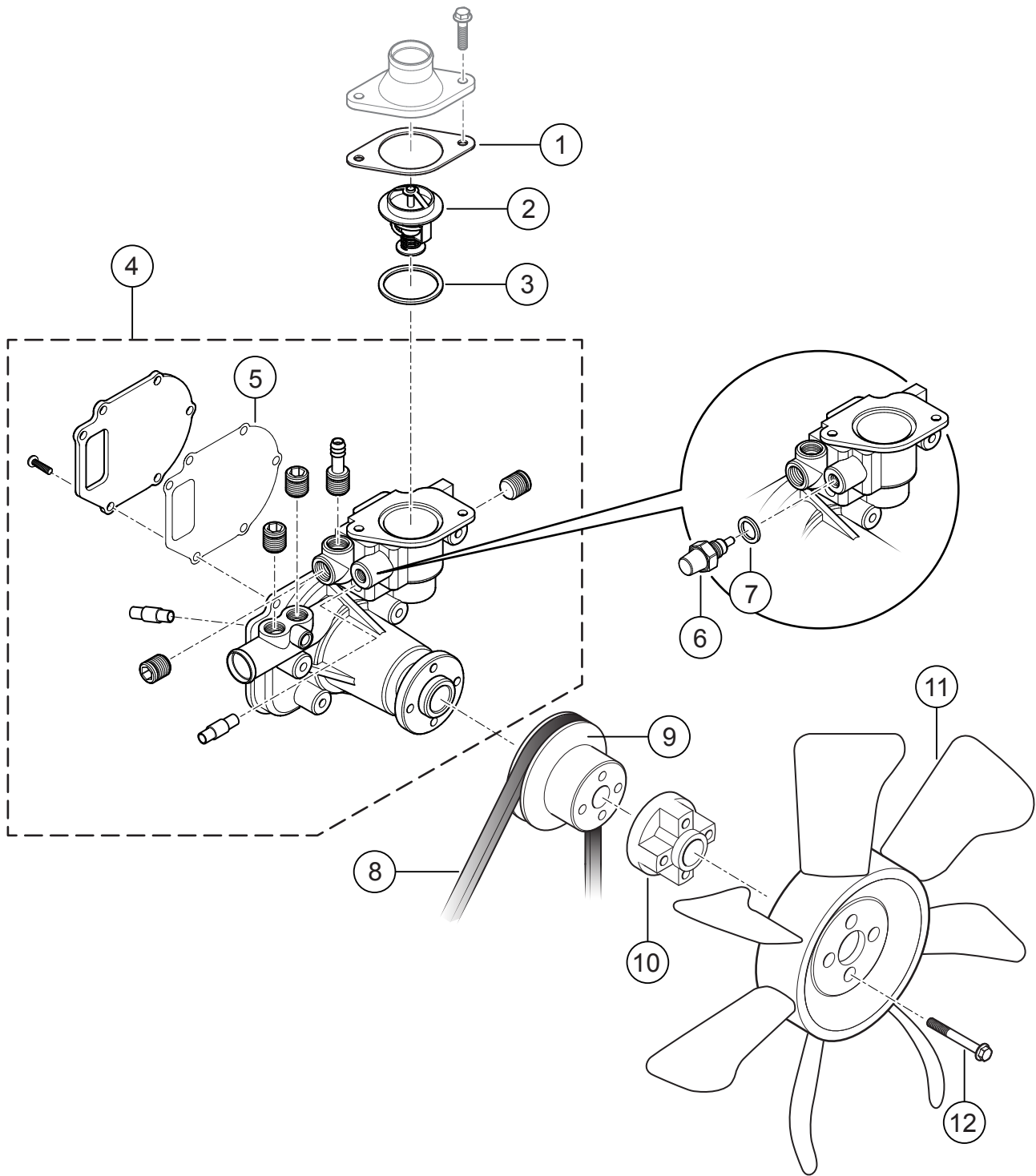
ENGINE COMPONENTS AND RADIATOR ASSY.

<u>NO.</u>	<u>PART NO.</u>	<u>PART NAME</u>	<u>QTY.</u>	<u>REMARKS</u>
1	49071	NUT, FLANGED 5/16-18 SERRATED PLTD	1	
2	20913	CLAMP, 0.75 OD TUBE STAUFF	1	
3	20912	COVER, 0.75 OD TUBE STAUFF	1	
4	06500-020	SCREW, HHC 5/16-18 X 2-1/2	1	
5	69300001	RADIATOR CAP	1	
6	0948	WASHER, FLAT SAE 1/4	4	
7	21947	BRACKET, RAD. BOTTLE MOUNT	1	
8	10024	NUT, NYLOC 1/4-20	4	
9	12287	SCREW, THP 1/4-20 X 3/4 SS	2	
10	0131 A	SCREW, HHC 1/4-20 X 3/4	2	
11	12125244510	SUB RESEVOIR	1	
12	12125644600	BRACKET, RADIATOR BOTTLE	1	
13	22787	RADIATOR	1	
14	68900480	HOSE, RADIATOR LOWER	1	
15	68900479	HOSE, RADIATOR UPPER	1	
16	11980255801	FILTER, FUEL	1	
17	12915035153	FILTER, OIL	1	
18	11976139450	SWITCH, OIL PRESSURE	1	
19	21584	SCREW, HHC M10-1.5 X 35MM GRD 10.9	6	
20	2955	WASHER, LOCK 7/16 ZINC	8	
21	11962677210	ALTERNATOR, 12V 55AMP	1	
22	12913677011	STARTER	1	
23	22888	MOUNT, ENGINE ECU	1	
24	12992775900	ECU ASSY.	1	PURCHASE FROM YANMAR
25	0202	SCREW, HHC 5/16-18 X 1 ZINC	3	
26	0161 C	WASHER, LOCK 5/16 MED	5	
27	22887	COVER, ENGINE ECU	1	
28	0655	SCREW, HHC 5/16-18 X 3/4	2	
29	16056	SCREW, HHC M10-1.5 X 25MM GRD8.8	2	
30	22328-01	COUPLER, HAYES	1	
31	22329	ENGINE ASSY., YANMAR 4TNV84TZDSA2	1	

AIR CLEANER AND EXHAUST ASSY.

<u>NO.</u>	<u>PART NO.</u>	<u>PART NAME</u>	<u>QTY.</u>	<u>REMARKS</u>
1	22682	GUARD, MUFFLER W/A	1	
2	22876	MUFFLER	1	
3	21755	GASKET, MUFFLER, YANMAR 55HP	2	
4	21906	SCREW, HHFS 5/16-18 X 1-1/2 GRD 5	7	
5	49071	NUT, FLANGED 5/16-18 SERRATED PLTD	8	
6	22680	TUBE, W/A MUFFLER EXHAUST	1	
7	26306080002	NUT, EXHAUST TUBE	5	
9	KAC8	AIR CLEANER ASSY.	1	
10	PMAF25436	CARTRIDGE, AIR CLEANER	1	
11	12968712600	RAIN CAP ASSY.	1	
12	129560912080	HOSE, AIR INTAKE	1	
13	Y23000080000	CLAMP, HOSE 80	1	
14	Y23000060000	CLAMP, HOSE 60	3	
15	12950903050	JOINT, BREATHER	1	
16	12941003990	CLAMP, HOSE 22	2	
17	15538	CLAMP, HOSE WORM #6 7/16 TO 11/16	2	
18	22853	TUBE, HOSE SECTION	1	
19	60130	HOSE, FUEL 5/8ID SAE 30R7 9" LONG.....	1	SOLD BY FOOT
20	12950912070	HOSE, AIR INTAKE	1	
21	12950903090	HOSE, BREATHER	1	
22	21989	SPACER, .75 X 2.0 X 4.5 UHMW	1	

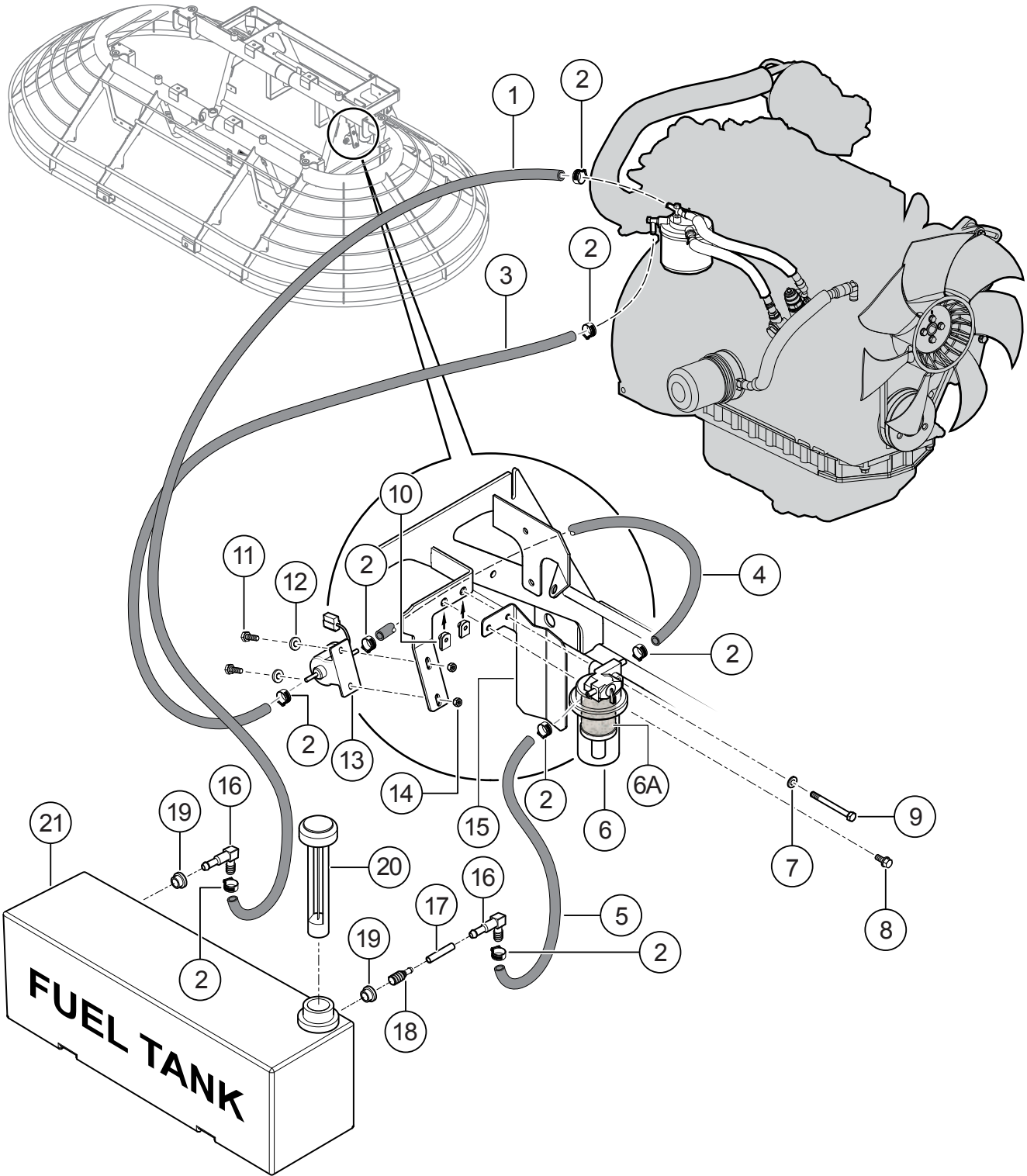
WATER PUMP, FAN, V-BELT ASSY



WATER PUMP, FAN, V-BELT ASSY

<u>NO.</u>	<u>PART NO.</u>	<u>PART NAME</u>	<u>QTY.</u>	<u>REMARKS</u>
1	12979549551	GASKET, COVER	1	
2	12915549801	THERMOSTAT	1	
3	12915049811	GASKET, THERMOSTAT	1	
4	12950942010	PUMP ASSY., WATER	1	
5	12910042051	GASKET, WATER PUMP	1	
6	12992744900	THERMOMETER	1	
7	22190120002	SEAL, WASHER 12	1	
8	12925842290	V-BELT	1	
9	12940342380	V-PULLEY, WATER PUMP	1	
10	17135344760	SPACER, FAN	1	
11	12961244700	FAN, PUSHER	1	
12	26106060402	BOLT, M 6 X 40 PLATED	4	

FUEL SYSTEM ASSY.

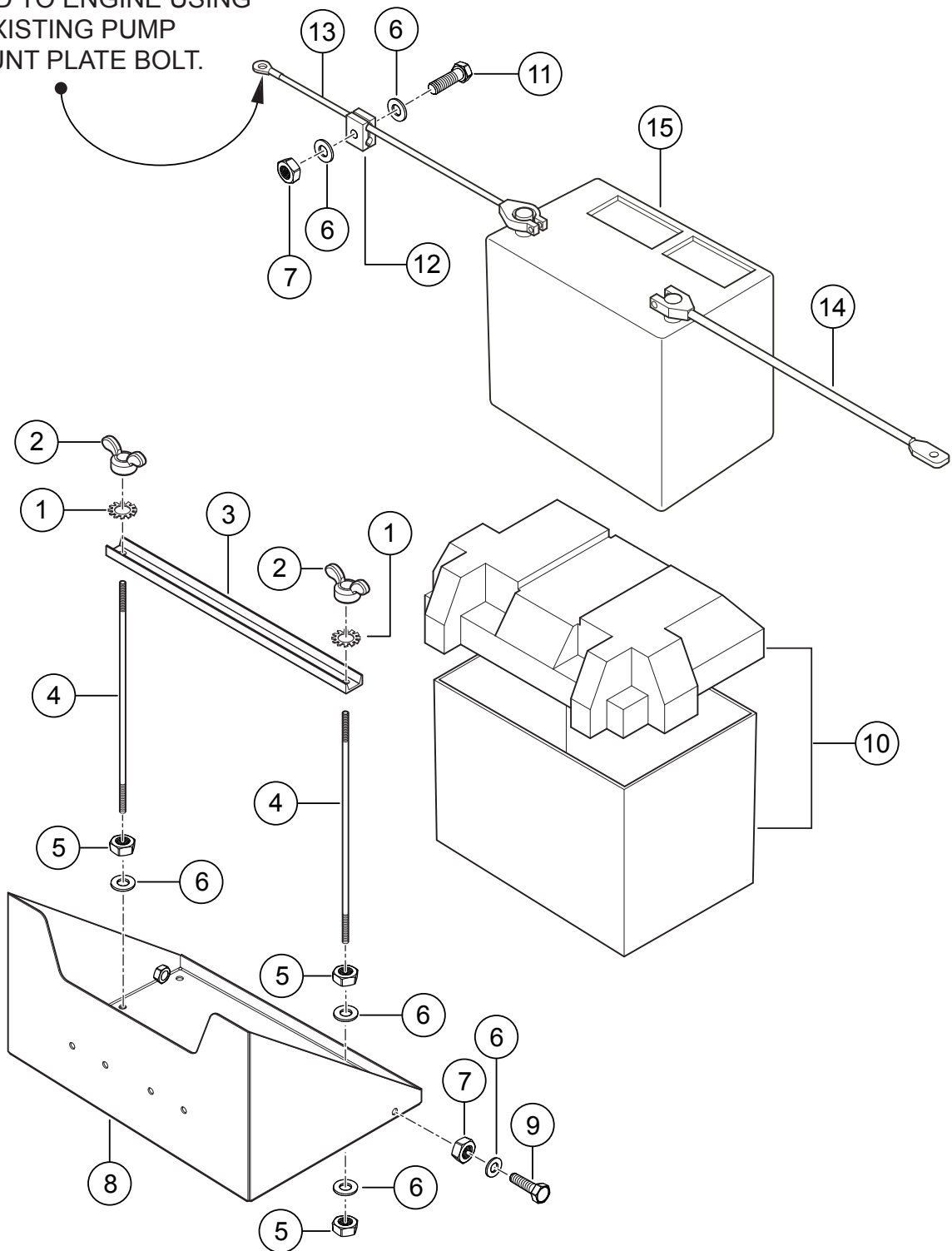


FUEL SYSTEM ASSY.

<u>NO.</u>	<u>PART NO.</u>	<u>PART NAME</u>	<u>QTY.</u>	<u>REMARKS</u>
1	60028	HOSE, FUEL .312 LOW PERM 50 PSI 46"	4.....	SOLD BY FOOT
2	19473	CLAMP, HOSE WORM #2 1/4 TO 5/8.....	8.....	
3	60028	HOSE, FUEL .312 LOW PERM 50 PSI 58"	5.....	SOLD BY FOOT
4	60028	HOSE, FUEL .312 LOW PERM 50 PSI 12"	1.....	SOLD BY FOOT
5	60028	HOSE, FUEL .312 LOW PERM 50 PSI 29"	3.....	SOLD BY FOOT
6	12924255700	FUEL SEPARATOR	1	
6A	12924255730	ELEMENT, FUEL SEPARATOR	1	
7	0300 B	WASHER, FLAT SAE 5/16	1	
8	36720	SCREW, HHFS 5/16-18 X 3/4 GR5	1	
9	1404	SCREW, HHC 5/16-18 X 3-1/4 GR5	1	
10	35358	PALNUT, U. 5/16-18 X .05/.20 PANEL	2	
11	0131 A	SCREW, HHC 1/4-20 X 3/4	4	
12	0948	WASHER, FLAT SAE 1/4	8	
13	11922552102	PUMP, FUEL	1	
14	10024	NUT, NYLOC 1/4-20	4	
15	22757	GUARD, SPLASH SEDIMENT BULB	1	
16	W12023	FITTING, 90 5MBARB X 6-4SBARB	2	
17	60058	HOSE, 1/4 X 3/8 PCV, YELLOW FUEL.....	1.....	SOLD BY FOOT
18	12010	SCREEN, FILTER	1	
19	19633	BUSHING, RUBBER FUEL	2	
20	23515	CAP, RATCHET W/GAUGE "DIESEL" (10.5")	1	
21	21576	TANK, 11 GALLON POLYETHLENE	1	

BATTERY ASSY.

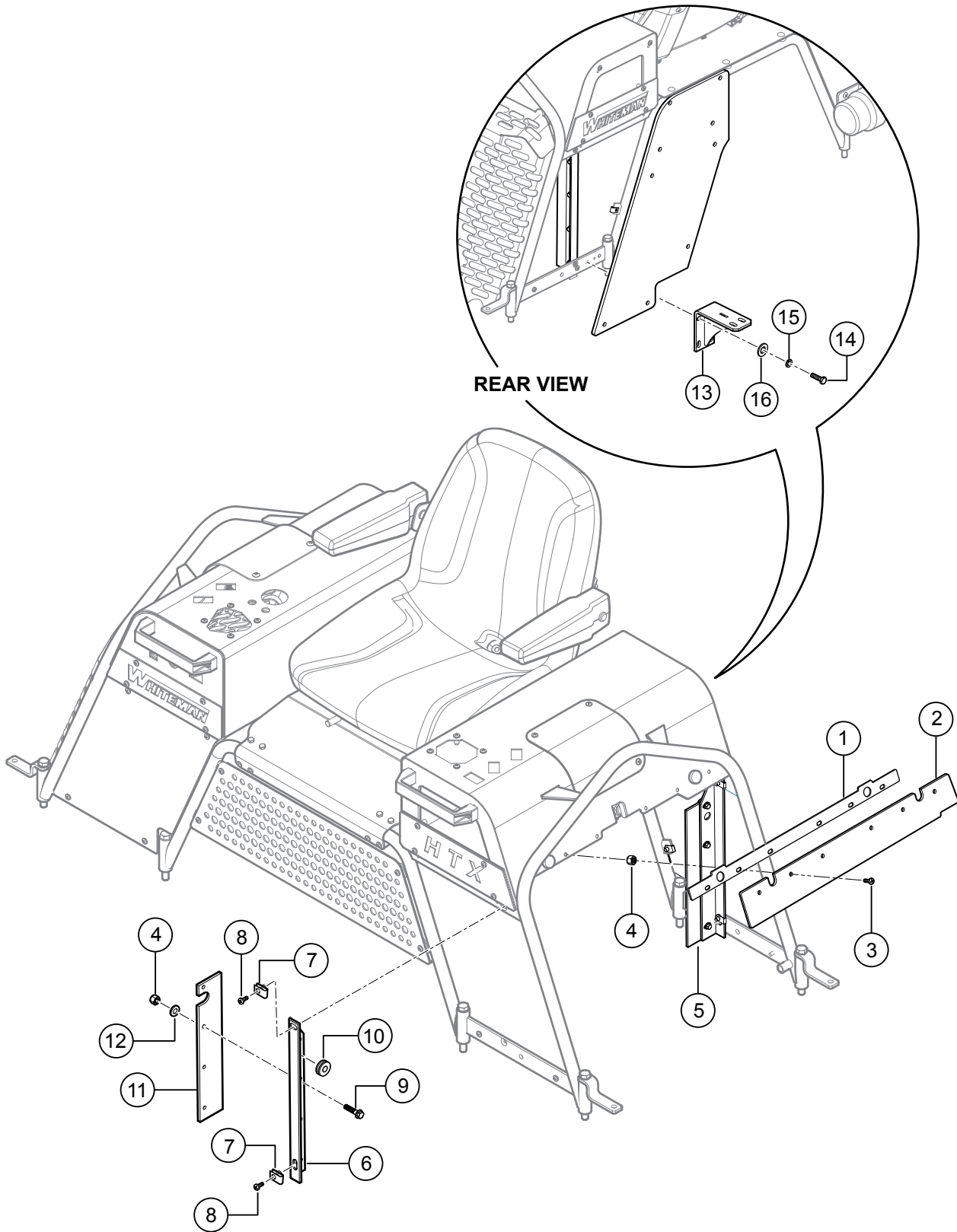
GROUND TO ENGINE USING
EXISTING PUMP
MOUNT PLATE BOLT.



BATTERY ASSY.

<u>NO.</u>	<u>PART NO.</u>	<u>PART NAME</u>	<u>QTY.</u>	<u>REMARKS</u>
1	10031	WASHER, EXT SHKP 1/4	8	
2	2509	NUT, WING 1/4-20 PLATED	2	
3	11692	BRACKET, BATTERY BOX HOLD DOWN	1	
4	11693	BOLT, BATTERY BRACKET	2	
5	0949	NUT, HEX FINISH 1/4-20	6	
6	0948	WASHER, FLAT 1/4 SAE	9	
7	10024	NUT, NYLOC 1/4-20	5	
8	20696	BATTERY BOX	1	
9	0730	SCREW, HHC 1/4-20 X 1	4	
10	10318	BATTERY BOX, GROUP 24	1	
11	12275	SCREW, HHC 1/4-20 X 1	1	
12	12273	CLAMP, 3/8 TUBE	1	
13	22809	CABLE, BATTERY, NEGATIVE 62" 6GA.	1	
14	22808	CABLE, BATTERY, POSITIVE RED 55" 6GA.	1	
15		BATTERY, OPTIMA 8022-091	1.....	USE OPTIMA P/N 8022-091

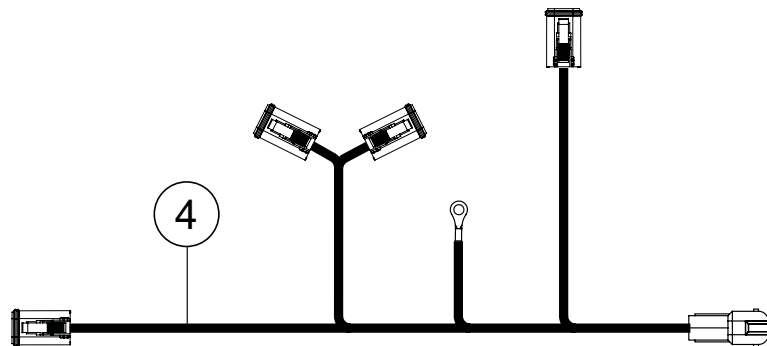
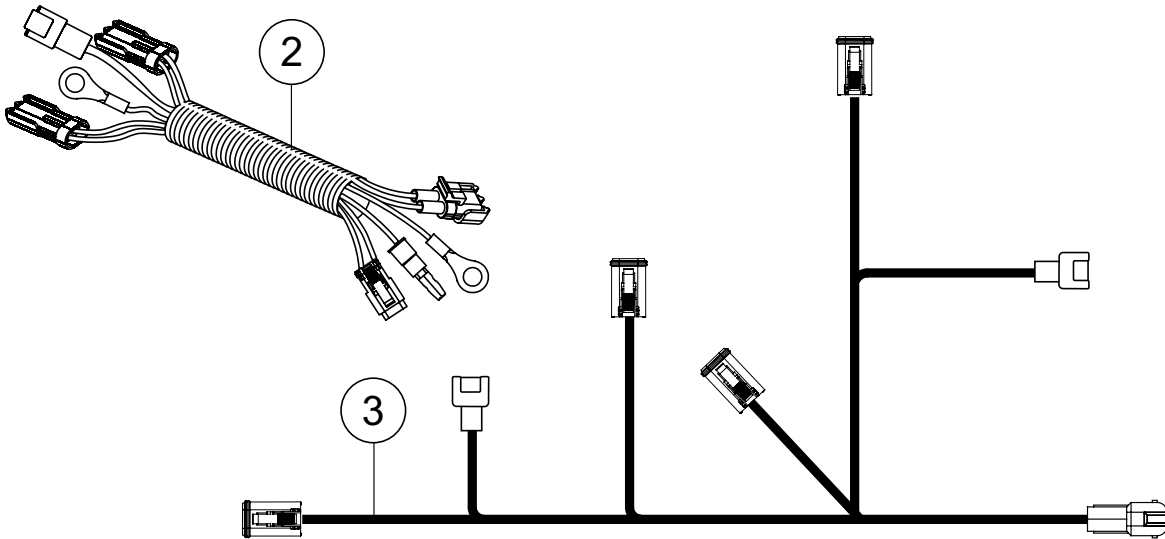
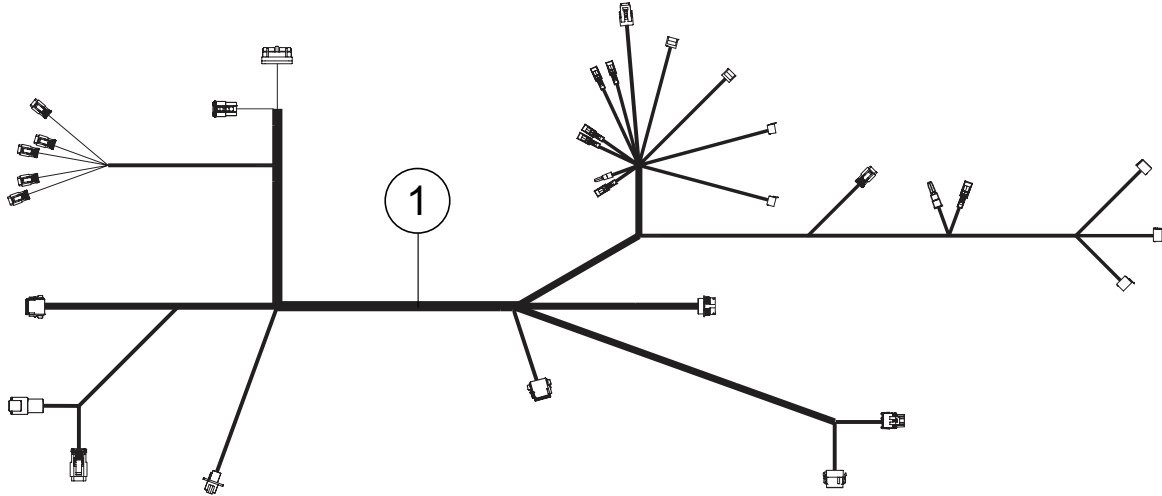
RADIATOR MOUNTING HARDWARE ASSY.



RADIATOR FRAME MOUNTING HARDWARE ASSY.

<u>NO.</u>	<u>PART NO.</u>	<u>PART NAME</u>	<u>QTY.</u>	<u>REMARKS</u>
1	22804	SUPPORT, BELT-TOP	1	
2	22803	BELT, RADIATOR-TOP	1	
3	12287	SCREW, THP 1/4-20 X 3/4 SS	8	
4	10024	NUT, NYLOC 1/4-20	14	
5	22785	SHROUD , LEFT SIDE	1	
6	22784	SHROUD, RIGHT SIDE	1	
7	11534	NUT, "U" TYPE, 1/4-20	5	
8	22790	SCREW, PHILLIPS HD MACH 10-24 X .75	4	
9	49048	SCREW, HHFS 1/4-20 X 3/4 GR5	9	
10	19468	GROMMET, 3/16 X 1/2ID X 1-1/4 OD	1	
11	22805	BELT, RADIATOR-SIDE	2	
12	0948	WASHER, FLAT SAE 1/4	8	
13	22453	MOUNT, W/A MUFFLER	1	
14	0205	SCREW, HHC 3/8-16 X 1.0	4	
15	0166 A	WASHER, LOCK 3/8 MED	4	
16	10136	WASHER, FLAT SAE 3/8	4	

HARNASS ASSY.



HARNES ASSY.

<u>NO.</u>	<u>PART NO.</u>	<u>PART NAME</u>	<u>QTY.</u>	<u>REMARKS</u>
1	22792	HARNES, MAIN	1	
2	22318	HARNES, ENGINE	1	
3	22794	HARNES, FRONT	1	
4	22795	HARNES, REAR	1	
5	22796	HARNES, SEAT SWITCH	1	

TERMS AND CONDITIONS OF SALE — PARTS

PAYMENT TERMS

Terms of payment for parts are net 30 days.

FREIGHT POLICY

All parts orders will be shipped collect or prepaid with the charges added to the invoice. All shipments are F.O.B. point of origin. Multiquip's responsibility ceases when a signed manifest has been obtained from the carrier, and any claim for shortage or damage must be settled between the consignee and the carrier.

MINIMUM ORDER

The minimum charge for orders from Multiquip is \$15.00 net. Customers will be asked for instructions regarding handling of orders not meeting this requirement.

RETURNED GOODS POLICY

Return shipments will be accepted and credit will be allowed, subject to the following provisions:

1. A Returned Material Authorization must be approved by Multiquip prior to shipment.
2. To obtain a Return Material Authorization, a list must be provided to Multiquip Parts Sales that defines item numbers, quantities, and descriptions of the items to be returned.
 - a. The parts numbers and descriptions must match the current parts price list.
 - b. The list must be typed or computer generated.
 - c. The list must state the reason(s) for the return.
 - d. The list must reference the sales order(s) or invoice(s) under which the items were originally purchased.
 - e. The list must include the name and phone number of the person requesting the RMA.
3. A copy of the Return Material Authorization must accompany the return shipment.
4. Freight is at the sender's expense. All parts must be returned freight prepaid to Multiquip's designated receiving point.

5. Parts must be in new and resalable condition, in the original Multiquip package (if any), and with Multiquip part numbers clearly marked.
6. The following items are not returnable:
 - a. Obsolete parts. (If an item is in the price book and shows as being replaced by another item, it is obsolete.)
 - b. Any parts with a limited shelf life (such as gaskets, seals, "O" rings, and other rubber parts) that were purchased more than six months prior to the return date.
 - c. Any line item with an extended dealer net price of less than \$5.00.
 - d. Special order items.
 - e. Electrical components.
 - f. Paint, chemicals, and lubricants.
 - g. Decals and paper products.
 - h. Items purchased in kits.
7. The sender will be notified of any material received that is not acceptable.
8. Such material will be held for five working days from notification, pending instructions. If a reply is not received within five days, the material will be returned to the sender at his expense.
9. Credit on returned parts will be issued at dealer net price at time of the original purchase, less a 15% restocking charge.
10. In cases where an item is accepted, for which the original purchase document can not be determined, the price will be based on the list price that was effective twelve months prior to the RMA date.
11. Credit issued will be applied to future purchases only.

PRICING AND REBATES

Prices are subject to change without prior notice. Price changes are effective on a specific date and all orders received on or after that date will be billed at the revised price. Rebates for price declines and added charges for price increases will not be made for stock on hand at the time of any price change.

Multiquip reserves the right to quote and sell direct to Government agencies, and to Original Equipment Manufacturer accounts who use our products as integral parts of their own products.

SPECIAL EXPEDITING SERVICE

A \$35.00 surcharge will be added to the invoice for special handling including bus shipments, insured parcel post or in cases where Multiquip must personally deliver the parts to the carrier.

LIMITATIONS OF SELLER'S LIABILITY

Multiquip shall not be liable hereunder for damages in excess of the purchase price of the item with respect to which damages are claimed, and in no event shall Multiquip be liable for loss of profit or good will or for any other special, consequential or incidental damages.

LIMITATION OF WARRANTIES

No warranties, express or implied, are made in connection with the sale of parts or trade accessories nor as to any engine not manufactured by Multiquip. Such warranties made in connection with the sale of new, complete units are made exclusively by a statement of warranty packaged with such units, and Multiquip neither assumes nor authorizes any person to assume for it any other obligation or liability whatever in connection with the sale of its products. Apart from such written statement of warranty, there are no warranties, express, implied or statutory, which extend beyond the description of the products on the face hereof.

Effective: February 22, 2006

PARTS MANUAL

HERE'S HOW TO GET HELP

PLEASE HAVE THE MODEL AND SERIAL
NUMBER ON-HAND WHEN CALLING

UNITED STATES

Multiquip Corporate Office

18910 Wilmington Ave.
Carson, CA 90746
Contact: mq@multiquip.com

Tel: (800) 421-1244
Fax (310) 537-3927

Service Department

800-421-1244
310-537-3700

Fax: 310-537-4259

Technical Assistance

800-478-1244

Fax: 310-943-2238

MQ Parts Department

800-427-1244
310-537-3700

Fax: 800-672-7877
Fax: 310-637-3284

Warranty Department

800-421-1244
310-537-3700

Fax: 310-943-2249

MEXICO

MQ Cipsa

Carr. Fed. Mexico-Puebla KM 126.5
Momoxpan, Cholula, Puebla 72760 Mexico
Contact: pmastretta@cipsa.com.mx

Tel: (52) 222-225-9900
Fax: (52) 222-285-0420

CANADA

Multiquip

4110 Industriel Boul.
Laval, Quebec, Canada H7L 6V3
Contact: jmartin@multiquip.com

Tel: (450) 625-2244
Tel: (877) 963-4411
Fax: (450) 625-8664

UNITED KINGDOM

Multiquip (UK) Limited Head Office

Unit 2, Northpoint Industrial Estate,
Globe Lane,
Dukinfield, Cheshire SK16 4UJ
Contact: sales@multiquip.co.uk

Tel: 0161 339 2223
Fax: 0161 339 3226

© COPYRIGHT 2013, MULTIQUIP INC.

Multiquip Inc, the MQ logo and the Whiteman logo are registered trademarks of Multiquip Inc. and may not be used, reproduced, or altered without written permission. All other trademarks are the property of their respective owners and used with permission.

This manual MUST accompany the equipment at all times. This manual is considered a permanent part of the equipment and should remain with the unit if resold.

The information and specifications included in this publication were in effect at the time of approval for printing. Illustrations, descriptions, references and technical data contained in this manual are for guidance only and may not be considered as binding. Multiquip Inc. reserves the right to discontinue or change specifications, design or the information published in this publication at any time without notice and without incurring any obligations.

Your Local Dealer is:



PN: 32070