

PARTS MANUAL



***WHITEMAN* SERIES** **MODEL CA4HC** **WALK-BEHIND TROWEL** **(HONDA GX120 GASOLINE ENGINE)**

Revision #5 (1/08/16)

To find the latest revision of this
publication, visit our website at:
www.multiquip.com



THIS MANUAL MUST ACCOMPANY THE EQUIPMENT AT ALL TIMES.

P/N 21769

CA4HC TROWEL — TABLE OF CONTENTS

MQ WHITEMAN CA4HC WALK BEHIND-TROWEL

| | |
|--|-------|
| Table Of Contents..... | 2 |
| Parts Ordering Procedures..... | 3 |
| Explanation Of Code In Remarks Column..... | 4 |
| Suggested Spare Parts | 5 |
| CA4HC Trowel — Nameplate And Decals..... | 6-7 |
| CA4HC Trowel — Standard Handle Assy. | 8-9 |
| CA4HC Trowel — Foldable Handle Assy. | 10-11 |
| CA4HC Trowel — Basic Unit Assy. | 12-13 |
| CA4HC Trowel — Gearbox Assy..... | 14-15 |
| CA4HC Trowel — Engine, 4 Hp Honda Assy.... | 16-17 |
| CA4HC Trowel — Spider Assy..... | 18-19 |
| CA4HC Trowel — Blades & Pan Assy..... | 20-21 |
| Honda Engine — Air Cleaner (Dual) Assy. | 22-23 |
| Honda Engine — Camshaft Assy..... | 24-25 |
| Honda Engine — Carburetor Assy..... | 26-27 |
| Honda Engine — Control Assy. | 28-29 |
| Honda Engine — Crankcase Cover Assy. | 30-31 |
| Honda Engine — Crankshaft Assy..... | 32-33 |
| Honda Engine — Cylinder Barrel Assy..... | 34-35 |
| Honda Engine — Cylinder Head Assy..... | 36-37 |
| Honda Engine — Fan Cover Assy. | 38-39 |
| Honda Engine — Flywheel Assy..... | 40-41 |
| Honda Engine — Fuel Tank Assy..... | 42-43 |
| Honda Engine — Ignition Coil Assy..... | 44-45 |
| Honda Engine — Muffler Assy..... | 46-47 |
| Honda Engine — Piston Assy..... | 48-49 |
| Honda Engine — Recoil Starter Assy..... | 50-51 |
| Honda Engine — Gasket Kit Assy. | 52-53 |
| Honda Engine — Labels Assy. | 54-55 |
| Terms And Conditions Of Sale — Parts | 56 |

NOTICE

Specifications and part numbers are subject to change without notice.

PARTS ORDERING PROCEDURES

Ordering parts has never been easier! Choose from three easy options:

Effective:
January 1st, 2006

www.multiquip.com



Order via Internet (Dealers Only):

Order parts on-line using Multiquip's SmartEquip website!

- View Parts Diagrams
- Order Parts
- Print Specification Information



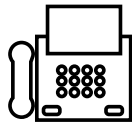
If you have an MQ Account, to obtain a Username and Password, E-mail us at: parts@multiquip.com.

To obtain an MQ Account, contact your District Sales Manager for more information.

Goto www.multiquip.com and click on **Order Parts** to log in and save!

Use the **internet** and qualify for a **5% Discount** on *Standard orders* for all orders which include complete part numbers.*

Note: Discounts Are Subject To Change



Order via Fax (Dealers Only):

All customers are welcome to order parts via Fax.

Domestic (US) Customers dial:
1-800-6-PARTS-7 (800-672-7877)

Fax your order in and qualify for a **2% Discount** on *Standard orders* for all orders which include complete part numbers.*

Note: Discounts Are Subject To Change



Order via Phone: Domestic (US) Dealers Call:
1-800-427-1244

Non-Dealer Customers:

Contact your local Multiquip Dealer for parts or call 800-427-1244 for help in locating a dealer near you.



International Customers should contact their local Multiquip Representatives for Parts Ordering information.

When ordering parts, please supply:

- | | |
|---|--|
| <input type="checkbox"/> Dealer Account Number | <input type="checkbox"/> Specify Preferred Method of Shipment: |
| <input type="checkbox"/> Dealer Name and Address | <input checked="" type="checkbox"/> UPS/Fed Ex <input checked="" type="checkbox"/> DHL |
| <input type="checkbox"/> Shipping Address (if different than billing address) | <input type="checkbox"/> Priority One <input checked="" type="checkbox"/> Truck |
| <input type="checkbox"/> Return Fax Number | <input type="checkbox"/> Ground |
| <input type="checkbox"/> Applicable Model Number | <input type="checkbox"/> Next Day |
| <input type="checkbox"/> Quantity, Part Number and Description of Each Part | <input type="checkbox"/> Second/Third Day |

NOTICE

All orders are treated as *Standard Orders* and will ship the same day if received prior to 3PM PST.

WE ACCEPT ALL MAJOR CREDIT CARDS!



EXPLANATION OF CODE IN REMARKS COLUMN

The following section explains the different symbols and remarks used in the Parts section of this manual. Use the help numbers found on the back page of the manual if there are any questions.

NOTICE

The contents and part numbers listed in the parts section are subject to change **without notice**. Multiquip does not guarantee the availability of the parts listed.

SAMPLE PARTS LIST

| NO. | PART NO. | PART NAME | QTY. | REMARKS |
|-----|----------|----------------------|------|---------------------|
| 1 | 12345 | BOLT | 1 | INCLUDES ITEMS W/% |
| 2% | | WASHER, 1/4 IN. | | NOT SOLD SEPARATELY |
| 2% | 12347 | WASHER, 3/8 IN. ... | 1 | MQ-45T ONLY |
| 3 | 12348 | HOSE | A/R | MAKE LOCALLY |
| 4 | 12349 | BEARING | 1 | S/N 2345B AND ABOVE |

NO. Column

Unique Symbols — All items with same unique symbol (@, #, +, %, or >) in the number column belong to the same assembly or kit, which is indicated by a note in the “Remarks” column.

Duplicate Item Numbers — Duplicate numbers indicate multiple part numbers, which are in effect for the same general item, such as different size saw blade guards in use or a part that has been updated on newer versions of the same machine.

NOTICE

When ordering a part that has more than one item number listed, check the remarks column for help in determining the proper part to order.

PART NO. Column

Numbers Used — Part numbers can be indicated by a number, a blank entry, or TBD.

TBD (To Be Determined) is generally used to show a part that has not been assigned a formal part number at the time of publication.

A blank entry generally indicates that the item is not sold separately or is not sold by Multiquip. Other entries will be clarified in the “Remarks” Column.

QTY. Column

Numbers Used — Item quantity can be indicated by a number, a blank entry, or A/R.

A/R (As Required) is generally used for hoses or other parts that are sold in bulk and cut to length.

A blank entry generally indicates that the item is not sold separately. Other entries will be clarified in the “Remarks” Column.

REMARKS Column

Some of the most common notes found in the “Remarks” Column are listed below. Other additional notes needed to describe the item can also be shown.

Assembly/Kit — All items on the parts list with the same unique symbol will be included when this item is purchased.

Indicated by:

“INCLUDES ITEMS W/(unique symbol)”

Serial Number Break — Used to list an effective serial number range where a particular part is used.

Indicated by:

“S/N XXXXX AND BELOW”

“S/N XXXX AND ABOVE”

“S/N XXXX TO S/N XXX”

Specific Model Number Use — Indicates that the part is used only with the specific model number or model number variant listed. It can also be used to show a part is NOT used on a specific model or model number variant.

Indicated by:

“XXXXX ONLY”

“NOT USED ON XXXX”

“Make/Obtain Locally” — Indicates that the part can be purchased at any hardware shop or made out of available items. Examples include battery cables, shims, and certain washers and nuts.

“Not Sold Separately” — Indicates that an item cannot be purchased as a separate item and is either part of an assembly/kit that can be purchased, or is not available for sale through Multiquip.

SUGGESTED SPARE PARTS

CA4HC WALK-BEHIND TROWEL WITH HONDA GX120/ GX120UTZX2 GASOLINE ENGINE

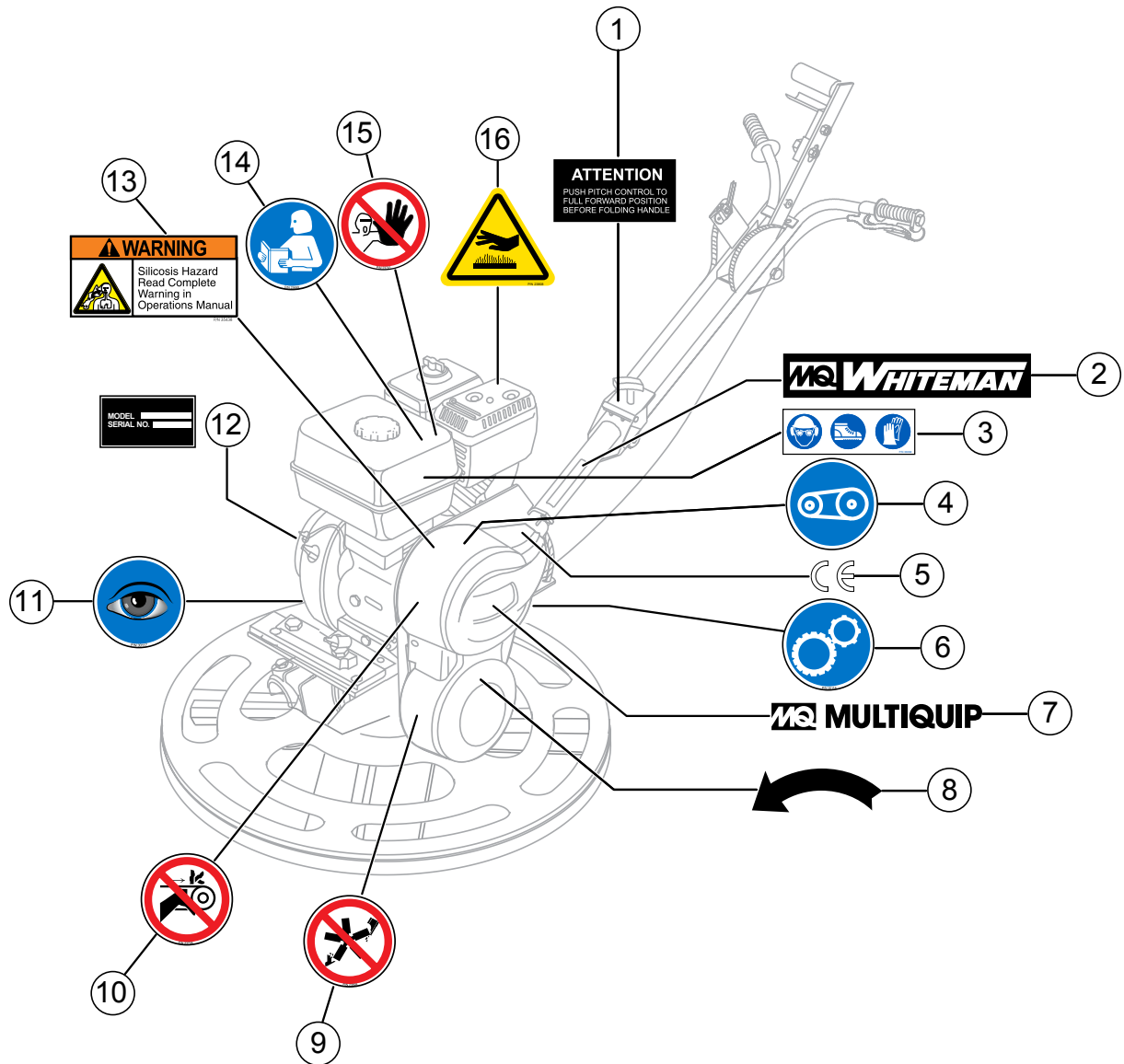
1 to 3 Units

| Qty. | P/N | Description |
|--------|------------------|-------------------------------------|
| 1..... | 20478..... | GRIP |
| 1..... | 21046..... | GASKET KIT |
| 1..... | 21047..... | BEARING KIT |
| 2..... | 9807354776..... | SPARK PLUG HONDA |
| 2..... | 17631ZH7003..... | TANK CAP (HONDA) |
| 3..... | 17211896000..... | AIR CLEANER ELEMENT (HONDA) |
| 2..... | 17218ZE2505..... | FILTER OUTER (HONDA) |
| 1..... | 21718..... | PITCH CABLE (STANDARD HANDLE) |
| 1..... | 1714..... | PITCH CABLE (QPHAFC HANDLE) |
| 1..... | 21724..... | THROTTLE CABLE (STANDARD HANDLE) |
| 1..... | 21823..... | THROTTLE CABLE (QPHAFC HANDLE) |
| 1..... | 10607..... | THRUST BEARING |
| 1..... | 10567..... | THRUST COLLAR |
| 1..... | 10639..... | WEAR PLATE |
| 3..... | 2343-1..... | V-BELT (A-25) |
| 2..... | 10065..... | GEARBOX LUBRICANT |

NOTICE

Part numbers on this Suggested Spare Parts list may supersede/replace the part numbers shown in the following parts lists.

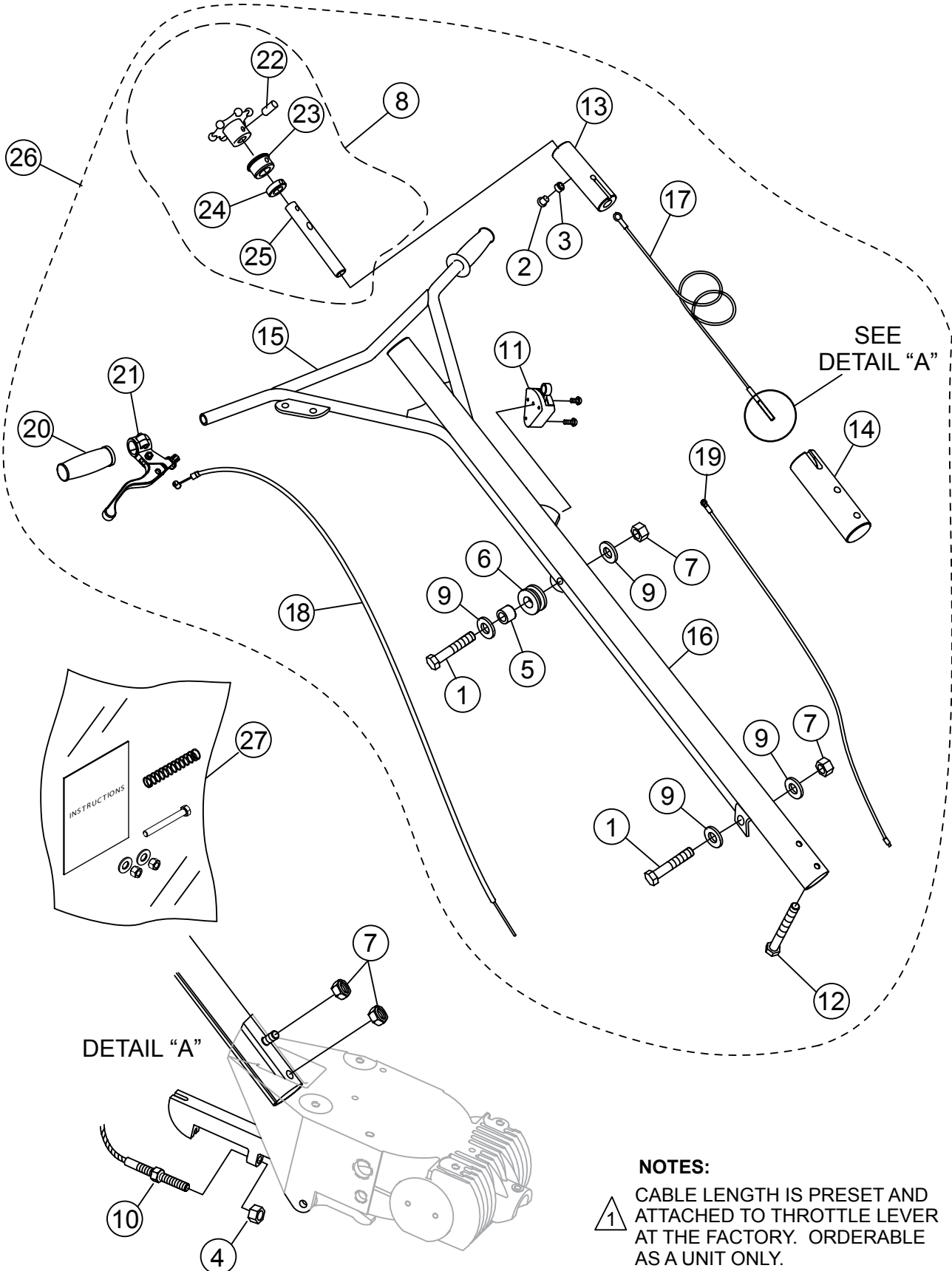
CA4HC TROWEL — NAMEPLATE AND DECALS



CA4HC TROWEL — NAMEPLATE AND DECALS

| <u>NO.</u> | <u>PART NO.</u> | <u>PART NAME</u> | <u>QTY.</u> | <u>REMARKS</u> |
|------------|-----------------|-----------------------------------|-------------|---------------------------------------|
| 1 | 10732 | DECAL: CAUTION PITCH HANDLE | 1 | |
| 2 | 2942 | DECAL: MQ LOGO, WHITE 13" | 1 | |
| 3 | 36099 | DECAL: PROTECTIVE CLOTHING | 1 | |
| 4 | 32553 | ISO DECAL: BELT DRIVE, 1.00" DIA. | 1 | |
| 5 | 11092 | DECAL: CE | 1 | |
| 6 | 30118 | ISO DECAL: GEAR DRIVE, 2.00" DIA. | 1 | |
| 7 | 20816 | DECAL: MQ MULTIQUIP | 1 | |
| 8 | 25678 | ISO DECAL: COUNTER CLOCKWISE | 1 | |
| 9 | 23698 | ISO DECAL: ROTATING BLADE HAZARD | 1 | |
| 10 | 23704 | DECAL: WARNING, GUARDS | 1 | |
| 11 | 30117 | ISO DECAL: EYE, INSPECTION | 1 | |
| 12 | | NAME PLATE..... | 1 | CONTACT MULTIQUIP PARTS DEPARTMENT |
| 13 | 35438 | DECAL: WARNING, SILICOSIS HAZARD | 1 | |
| 14 | 23699 | ISO DECAL: READ MANUAL | 1 | |
| 15 | 23701 | ISO DECAL: ASK FOR TRAINING | 1 | |
| 16 | 23808 | ISO DECAL: HOT SURFACE HAZARD | 1 | |

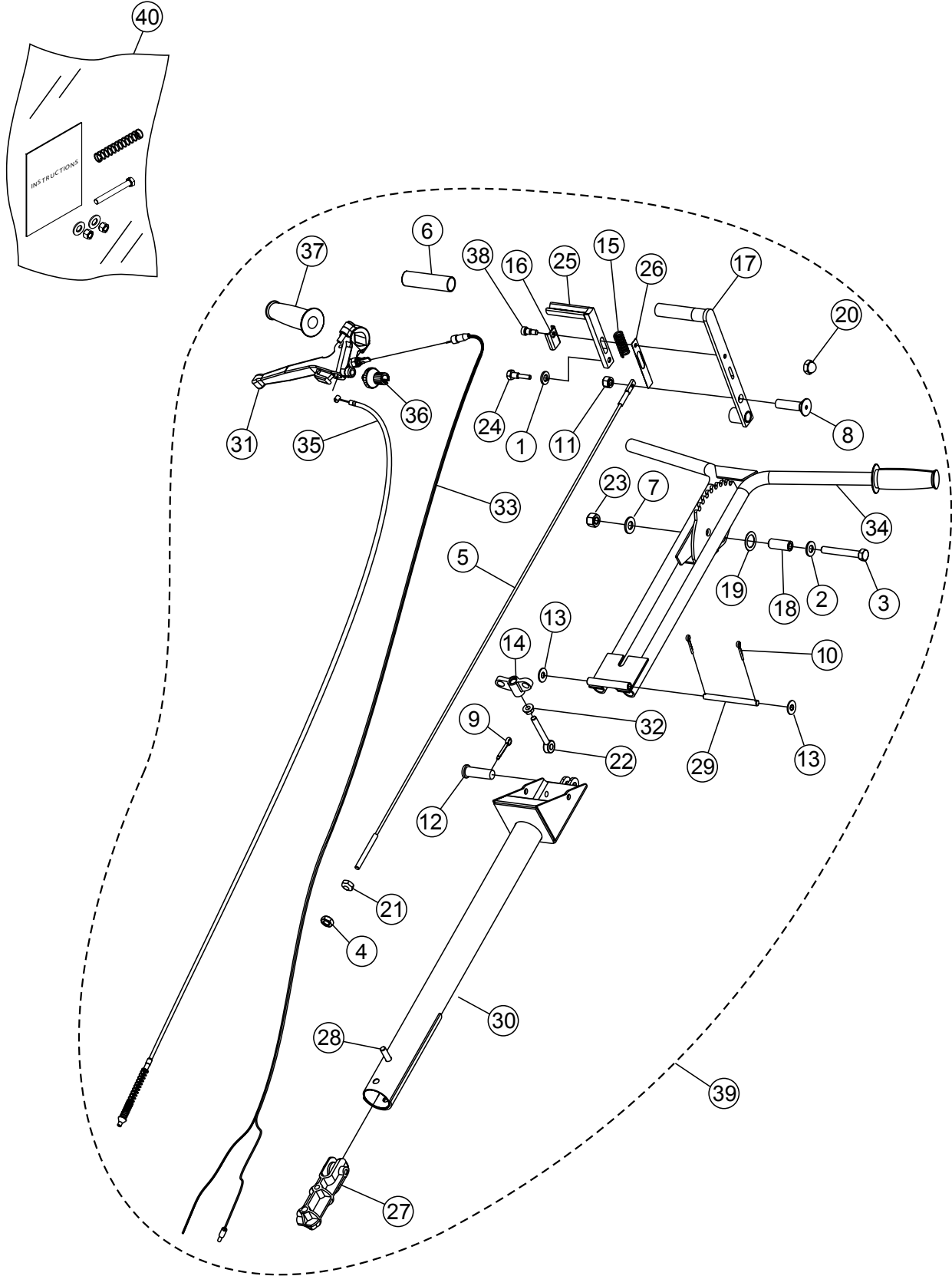
CA4HC TROWEL — STANDARD HANDLE ASSY.



CA4HC TROWEL — STANDARD HANDLE ASSY.

| <u>NO.</u> | <u>PART NO.</u> | <u>PART NAME</u> | <u>QTY.</u> | <u>REMARKS</u> |
|------------|-----------------|--|-------------|--------------------|
| 1@ | 0169 | SCREW, HHC 3/8-16 X 3 | 2 | |
| 2@ | 0786 | SCREW, BHC 1/4-20 X 3/8 NYL PATCH ,NP | 2 | |
| 3@ | 0786 A | SPACER, SLIDE BLOCK GUIDE, .360 X 17/64 X 1/8L | 1 | |
| 4@ | 1116 | NUT, BRASS JAM 5/16-18 | 1 | |
| 5@ | 1245 | BUSHING, GUARD RING | 1 | |
| 6@ | 1247 | GROMMET, 1/4 x .875 ID x 1-5/8 OD | 1 | |
| 7@ | 10133 | NUT, NYLOC 3/8-16 | 2 | |
| 8@ | 21279 | HAND WHEEL ASSEMBLY, PITCH CONTROL ... | 1 | INCLUDES ITEMS W/* |
| 9@ | 10136 | WASHER, FLAT SAE 3/8 | 4 | |
| 10@ | 10698 | NUT, 5/16-18 CONICAL | 1 | |
| 11@ | 20856 | SWITCH ASM., KILL | 1 | |
| 12@ | 21017 | SCREW, HHC 3/8-16 x 3.25 FULL THRD GR5 | 1 | |
| 13@ | 21249 | SLIDE BLOCK, TROWEL CONTROL | 1 | |
| 14@ | 21250 | BLOCK SUPPORT | 1 | |
| 15@ | 21251-1 | HANDLE, ISO W/A, WHITEMAN FIN | 1 | |
| 16@ | 21254-1 | HANDLE, W/A, WHITEMAN FIN | 1 | |
| 17@ | 21718 | CABLE, CONTROL | 1 | |
| 18@ | 21724 | CABLE ASSY., HANDLE THROTTLE | 1 | |
| 19@ | 21953 | HARNES, PRESENCE SWITCH, 43.25" | 1 | |
| 20@ | 22762 | GRIP, HANDLE, 0.875 | 2 | |
| 21@ | 391512 | LEVER, HAND CLUTCH CONTROL, METAL | 1 | |
| 22*@ | 1729 | PIN, ROLL 3/16 X 1-1/4 | 1 | |
| 23*@ | 21248 | BEARING, TROWEL CONTROL | 1 | |
| 24*@ | 3615 | COLLAR, SET 3/4 ID | 1 | |
| 25*@ | 21282 | SHAFT, PITCH CONTROL | 1 | |
| 26 | 21711 | HANDLE ASM, STHAC..... | 1 | INCLUDES ITEMS W/@ |

CA4HC TROWEL — FOLDABLE HANDLE ASSY.

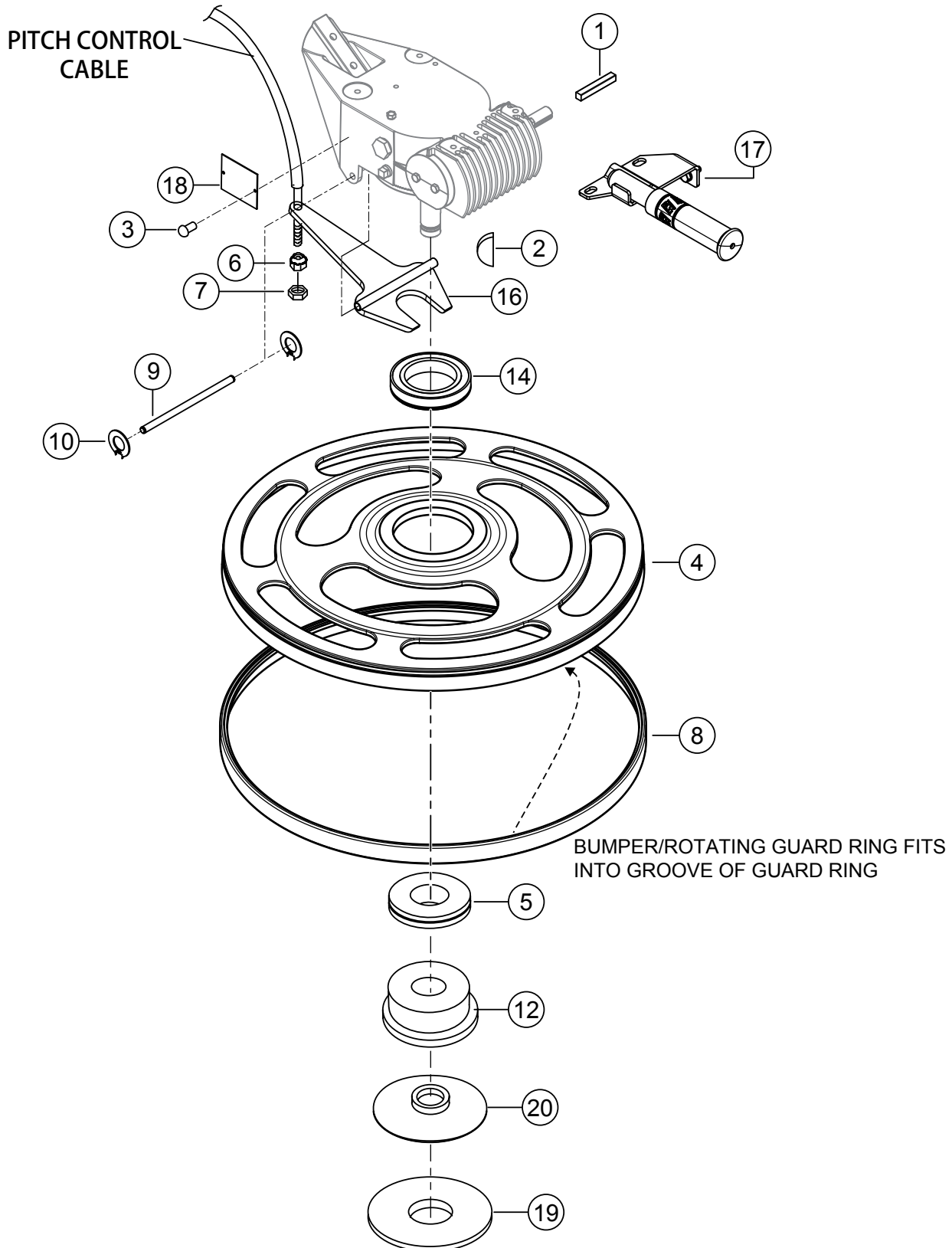


CA4HC TROWEL — FOLDABLE HANDLE ASSY.

| <u>NO.</u> | <u>PART NO.</u> | <u>PART NAME</u> | <u>QTY.</u> | <u>REMARKS</u> |
|------------|-----------------|---|-------------|--------------------|
| 1* | 0161 C | WASHER, LOCK 5/16 MED..... | 1 | |
| 2* | 0300 B | WASHER, FLAT SAE 5/16 | 2 | |
| 3* | 0669 A | SCREW, HHC 5/16 - 18 X 2-1/4 | 1 | |
| 4* | 1116 | NUT, BRASS JAM 5/16-18 | 1 | |
| 5* | 1714 | CABLE, PITCH CONTROL | 1 | |
| 6* | 1724 | GRIP, HANDLE PITCH | 1 | |
| 7* | 2942 | DECAL, MQ WHITEMAN 13" WHITE | 1 | |
| 8* | 3164 | SCREW, FHSC 1/4 - 20 X 1/2 NO PLATE | 1 | |
| 9* | 3216 | PIN, COTTER 1/8D X 1.00 | 1 | |
| 10* | 5117 | PIN, COTTER 1/16D X 1/2 | 2 | |
| 11* | 5283 | NUT, NYLOC 5/16-18 | 2 | |
| 12* | 5291 | PIN, CLEVIS 3/8 X 1-1/8 | 1 | |
| 13* | 10136 | WASHER, FLAT 3/8 SAE | 2 | |
| 14* | 10651 | TEE HANDLE | 1 | |
| 15* | 10654 | SPRING, LATCH RETURN | 1 | |
| 16* | 10655 | COVER, SPRING | 1 | |
| 17* | 10657 | CONTROL HANDLE | 1 | |
| 18* | 10658 | TUBE, CONTROL HANDLE SUPPORT | 1 | |
| 19* | 10660 | SHIM, 1.125 O.D. X .75 I.D. X .031 | 1 | |
| 20* | 10676 | NUT, ACORN 5/16 - 18 | 1 | |
| 21* | 10698 | NUT, 5/16 - 18 - CONICAL | 1 | |
| 22* | 10701 | BOLT, SWING | 1 | |
| 23* | 10732 | DECAL, FOLDING HANDLE | 1 | |
| 24* | 10878 | BOLT, QP LATCHING | 1 | |
| 25* | 10881 | LATCHING BAR | 1 | |
| 26* | 11015 | STRIP, HANDLE SPACER | 1 | |
| 27* | 20280 | BLOCK, PITCH CONTROL | 1 | |
| 28* | 21017 | SCREW, HHC 3/8-16 X 3 1/4 FULL THRD GR 5 | 1 | |
| 29* | 21758 | PIN, HINGE HANDLE | 1 | |
| 30* | 21779 | HANDLE, LOWER | 1 | |
| 31* | 21780 | THROTTLE, MAGURA MODEL 90 W/KILL SW | 1 | |
| 32* | 21781 | NUT, FLG'D HEX 3/8 - 16 PLTD | 1 | |
| 33* | 21785 | KILL SWITCH HARNESS, MAGURA MODEL 90 | 1 | |
| 34* | 21788 | HANDLE, UPPER | 1 | |
| 35* | 21823 | CABLE, MAGURA MODEL 90 CONTROL LEVER | 1 | |
| 36* | 21824 | ADJUSTER, W/THUMB WHEEL | 1 | |
| 37* | 22762 | GRIP, HANDLE, 0.875 | 2 | |
| 38* | 3910382 | SCREW, SHDLR, 3/8D X 3/8L, 5/16-1 SCKT HD | 1 | |
| 39 | 21786 | FOLDABLE HANDLE ASSY, QPH AFC..... | 1 | INCLUDES ITEMS W/* |

CA4HC TROWEL — BASIC UNIT ASSY.

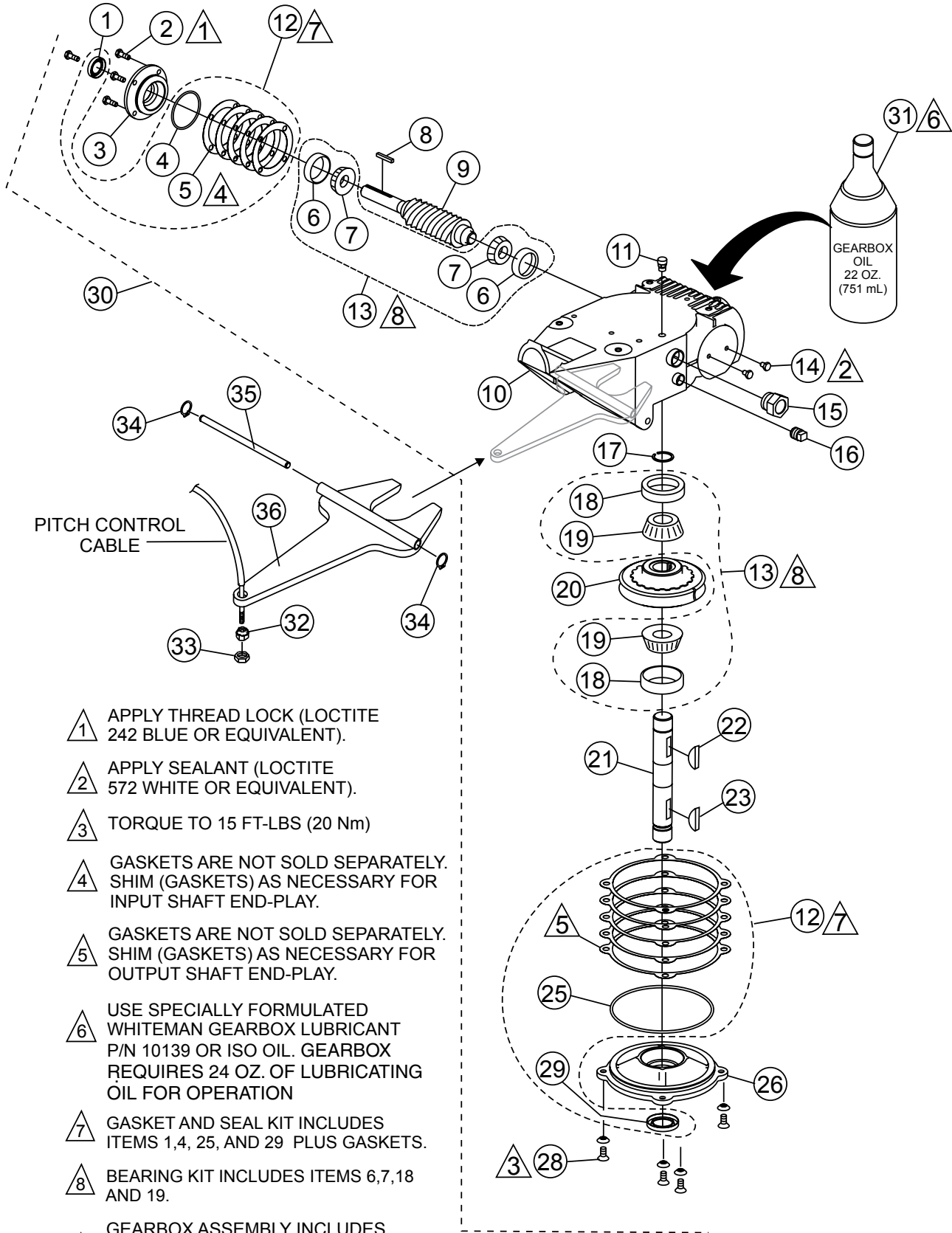
SEE QUICK PITCH
HANDLE ASSY. ITEM 5.



CA4HC TROWEL — BASIC UNIT ASSY.

| <u>NO.</u> | <u>PART NO.</u> | <u>PART NAME</u> | <u>QTY.</u> | <u>REMARKS</u> |
|------------|-----------------|---|-------------|-----------------------------|
| 1 | 0627 | KEY, 3/16" X 1-1/4" | 1 | |
| 2 | 1139 | KEY, WOODRUFF 1/4 X 1-1/4" (#21) HRDND | 1 | |
| 3 | 4014 | SCREW, 2-3/16" P-K TYPE U DRIVE | 2 | |
| 4 | 21433 | RING, ROTAING GUARD | 1 | |
| 5 | 10607 | BEARING, THRUST 6207, SEALED BOTH SIDES | 1 | |
| 6 | 10698 | NUT, ADJUSTING 5/16-18 | 1 | |
| 7 | 1116 | NUT, BRASS JAM 5/16-18 | 1 | |
| 8 | 24304 | BUMPER | 1 | |
| 9 | 20801 | PIN, YOKE | 1 | |
| 10 | 20802 | RING, SNAP, TRUARC 5100-37 or EQUAL JA | 2 | |
| 11 | 21433 | RING, ROTATING GUARD | 1 | |
| 12 | 21434 | SLEEVE, PITCH | 1 | |
| 14 | 21441 | BEARING, 2.9375" I.D. 4.527" O.D. | 1 | |
| 15 | 24304 | BUMPER, 24" ROTATING GUARD RING | 1 | |
| 16 | 21477 | YOKE W/A, CA4 | 1 | |
| 17 | 22673 | LIFT BRACKET ASM, CA4 | 1 | |
| 18 | | SERIAL PLATE | 1 |CONTACT MQ PARTS DEPT. |
| 19 | 10639 | WEAR PLATE | 1 | |
| 20 | 10567 | THRUST COLLAR | 1 | |

CA4HC TROWEL — GEARBOX ASSY.

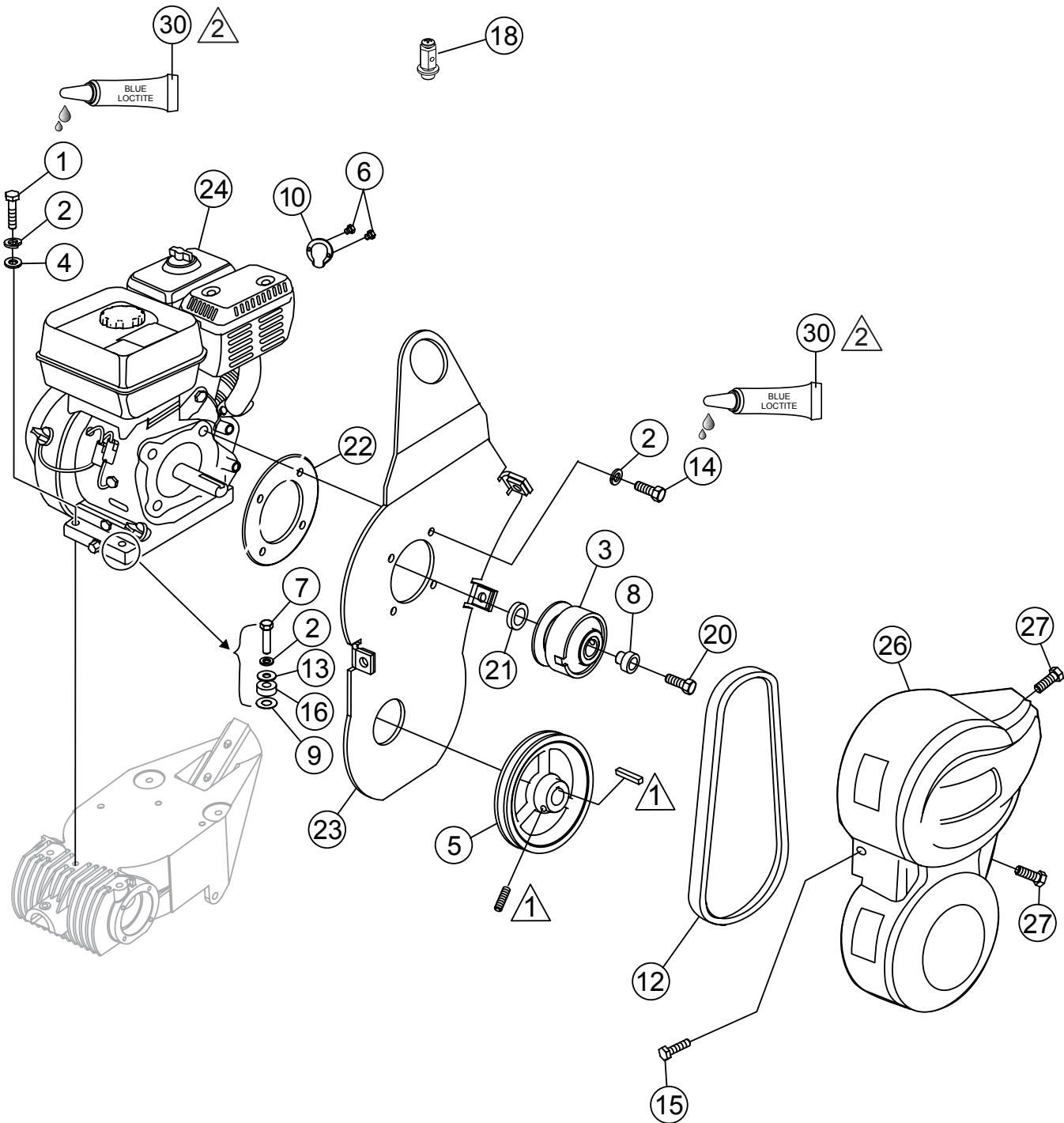


- ▲ 1 APPLY THREAD LOCK (LOCTITE 242 BLUE OR EQUIVALENT).
- ▲ 2 APPLY SEALANT (LOCTITE 572 WHITE OR EQUIVALENT).
- ▲ 3 TORQUE TO 15 FT-LBS (20 Nm)
- ▲ 4 GASKETS ARE NOT SOLD SEPARATELY. SHIM (GASKETS) AS NECESSARY FOR INPUT SHAFT END-PLAY.
- ▲ 5 GASKETS ARE NOT SOLD SEPARATELY. SHIM (GASKETS) AS NECESSARY FOR OUTPUT SHAFT END-PLAY.
- ▲ 6 USE SPECIALLY FORMULATED WHITEMAN GEARBOX LUBRICANT P/N 10139 OR ISO OIL. GEARBOX REQUIRES 24 OZ. OF LUBRICATING OIL FOR OPERATION
- ▲ 7 GASKET AND SEAL KIT INCLUDES ITEMS 1,4, 25, AND 29 PLUS GASKETS.
- ▲ 8 BEARING KIT INCLUDES ITEMS 6,7,18 AND 19.
- ▲ 9 GEARBOX ASSEMBLY INCLUDES ITEMS WITHIN DASHED LINE EXCEPT ITEMS 12,13 AND 31

CA4HC TROWEL — GEARBOX ASSY.

| <u>NO.</u> | <u>PART NO.</u> | <u>PART NAME</u> | <u>QTY.</u> | <u>REMARKS</u> |
|------------|-----------------|--|-------------|--------------------|
| 1%* | 0753 | SEAL, OIL NATIONAL | 1 | |
| 2% | 0131 A | SCREW, HHC 1/4-20 X 3/4 | 4 | |
| 3% | 12876 | FLANGE, INPUT SHAFT | 1 | |
| 4%* | 20395 | RING, O -2" BUNA N | 1 | |
| 6%# | 20466 | BEARING, CUP, TIMKEN | 2 | |
| 7%# | 20465 | BEARING, CONE, TIMKEN | 2 | |
| 8% | 0627 | KEY, SQUARE 3/16 X 1 1/4 | 1 | |
| 9% | 1851 | GEAR, WORM & SHAFT ASSY. | 1 | |
| 10% | 12874 | CASE, GEAR WORM MACHINED | 1 | |
| 11% | 21218 | VENT, AIR | 1 | |
| 12 | 21046 | GASKET/SEAL KIT..... | 1 | INCLUDES ITEMS W/* |
| 13 | 21047 | BEARING KIT | 1 | INCLUDES ITEMS W/# |
| 14% | 20476 | SCREW, HHC 1/4-28 X 3/8 | 2 | |
| 15% | 21033 | SIGHT GLASS, 3/4 NPT STEEL-NO BALL | 1 | |
| 16% | 0121 A | FITTING, PLUG 3/8 MP SQ HEAD | 1 | |
| 17% | 1138 | RING, SNAP, TRUARC 5100-112 | 1 | |
| 18%# | 20475 | BEARING, CUP TIMKEN | 2 | |
| 19%# | 20474 | BEARING, CONE TIMKEN | 2 | |
| 20% | 1140 | GEAR, WORM, COMPOSITE | 1 | |
| 21% | 21435 | SHAFT, OUTPUT | 1 | |
| 22% | 1139 | KEY, WOODRUFF #810 HARDENED | 1 | |
| 23% | 1238 | KEY, WOODRUFF #25 | 1 | |
| 26% | 12875 | COVER, GEARBOX | 1 | |
| 25% | 20396 | O-RING, 254 BUNA N | 1 | |
| 27% | 10235 | WASHER, C/S EXT. SHKP | 4 | |
| 28% | 20875 | SCREW, FHSC 5/16-18 X 3/4 | 4 | |
| 29%* | 0254 | SEAL, OIL, NATIONAL | 1 | |
| 30 | 21436 | GEARBOX ASSY. | 1 | INCLUDES ITEMS W/% |
| 31 | 20111 | LUBE, GEARBOX OIL ISO 680 22 OZ (650 ML).. | 2 | REQUIRES 20 OZ. |
| 32 | 10698 | NUT, ADJUSTING 5/16-18 | 1 | |
| 33 | 1116 | NUT, BRASS JAM 5/16-18 | 1 | |
| 34 | 20802 | SNAP RING | 2 | |
| 35 | 20801 | YOKE PIN | 1 | |
| 36 | 21477 | YOKE | 1 | |

CA4HC TROWEL — ENGINE, 4 HP HONDA ASSY.



NOTES:

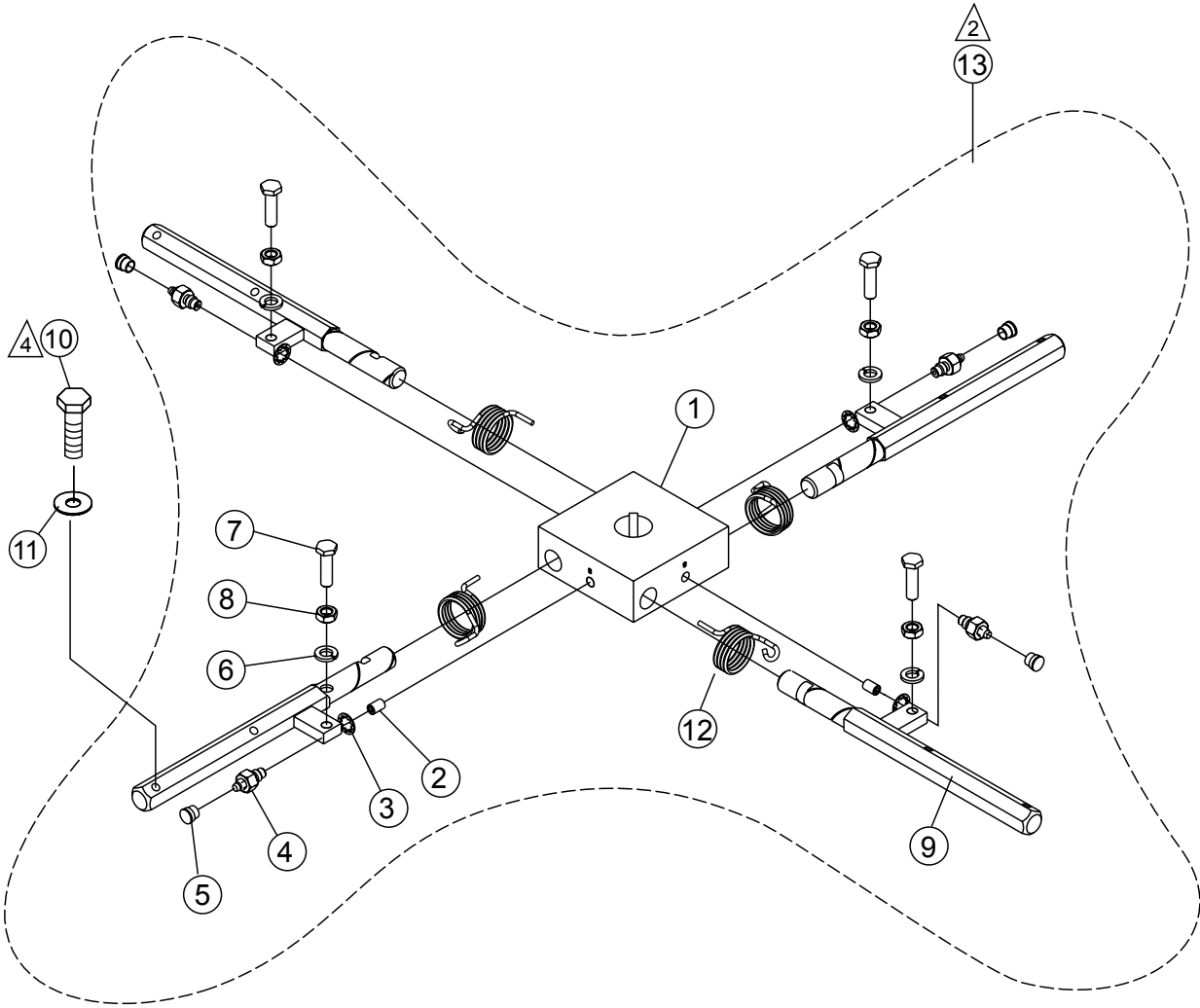
▲1 COMES WITH PULLEY.

▲2 APPLY BLUE LOCTITE# 246.

CA4HC TROWEL — ENGINE, 4 HP HONDA ASSY.

| <u>NO.</u> | <u>PART NO.</u> | <u>PART NAME</u> | <u>QTY.</u> | <u>REMARKS</u> |
|------------|-----------------|--|-------------|----------------|
| 1 | 0105 | SCREW, HHC 5/16- 18 X 1-1/2 | 3 | |
| 2 | 0161 C | LOCK WASHER 5/16 | 7 | |
| 3 | 0255 | CLUTCH ASSEMBLY | 1 | |
| 4 | 0300 B | FLAT WASHER 5/16 | 3 | |
| 5 | 0740 | PULLEY AK-51 X 3/4 | 1 | |
| 6 | 1273 | SCREW, HHST 3- 32 X 3/8 | 2 | |
| 7 | 1284 | SCREW, HHC 3/8 -16 X 1-1/2 | 1 | |
| 8 | 1406 | END PLUG, CLUTCH | 1 | |
| 9 | 1733 | WASHER, 1/2 X 1/32 | 1 | |
| 10 | 1834 | DEFLECTOR, HONDA EXHAUST | 1 | |
| 11 | 1848 | DECAL, BELT GUARD | 1 | |
| 12 | 2343-1 | V-BELT, A-25 | 1 | |
| 13 | 10136 | FLAT WASHER 3/8 | 1 | |
| 14 | 10229 | SCREW, HHC 5/16-24 X 1" | 4 | |
| 15 | 11092 | DECAL, CE | 1 | |
| 16 | 13351 | WASHER, FLAT 3/8 EXT THICK HIGH STRGTH | 1 | |
| 17 | 20816 | DECAL, GUARD RING MQ MULTIQIP | 1 | |
| 18 | 20845 | SWIVEL, ASSM THROTTLE CABLE | 1 | |
| 19 | 21302 | LABEL - CAUTION | 1 | |
| 20 | 21678 | SCREW, FHSC 5/16 - 24 X 1-3/4 | 1 | |
| 21 | 21679 | SPACER, 1" X .78 X 69L | 1 | |
| 22 | 21915 | SPACER, C M & J LIFTING BALE | 1 | |
| 23 | 21927 | BRACKET, W/LIFTING BALE ASSEMBLY | 1 | |
| 24 | 22900 | ENGINE, HONDA GX120 TIER 3 (3.5 HP) | 1 | |
| 25 | 23700 | ISO DECAL, LIFTING/CRUSH HAZARD | 1 | |
| 26 | 30102-001 | BELT GUARD, TROWEL | 1 | |
| 27 | 30119 | SCREW, 1/4-20X7/8 IND HEX, DOG PT | 3 | |
| 28 | 35168 | DECAL, ROTATING BLADE HAZARD 2.00" X 4.30" | 1 | |
| 29 | 60128 | OIL, 10W-30, DELO 400 LE | 1 | |

CA4HC TROWEL — SPIDER ASSY.



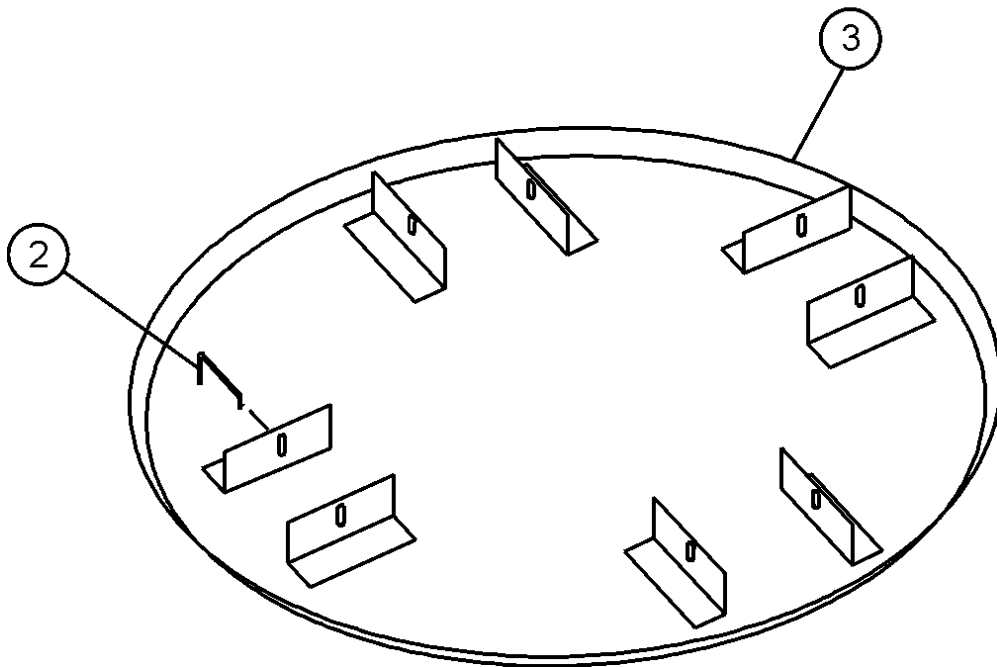
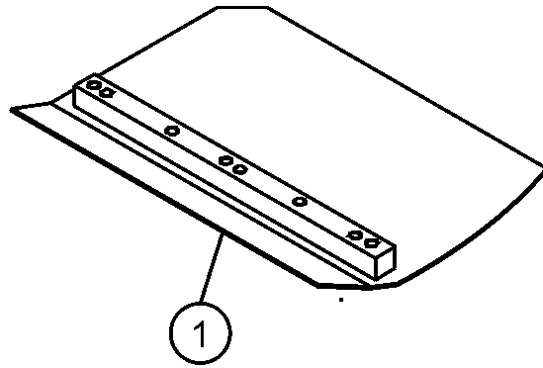
NOTES:

- ① APPLY LOCTITE P/N 1477 TO ITEMS 1.
- ② SPIDER ASSEMBLY P/N 11860
INCLUDES ALL ITEMS WITHIN OUTLINE.
- ③ INCLUDED WITH ITEM 15 OR CAN BE
ORDERED SEPARATELY (P/N 1471)
- ④ TORQUE TO 130 FT.-LBS (176 Nm)

CA4HC TROWEL — SPIDER ASSY.

| <u>NO.</u> | <u>PART NO.</u> | <u>PART NAME</u> | <u>QTY.</u> | <u>REMARKS</u> |
|------------|-----------------|------------------------------------|-------------|--------------------|
| 1 | 10563 | SPIDER PLATE, 1-1/8 SHAFT 4BLD CA4 | 1 | |
| 2 | 11299 | SCREW, SHS 5/16-18 X 9/16 CONE PT | 2 | |
| 3 | 1875 | WASHER, INT. SHKP, 3/8 | 4 | |
| 4 | 10587 | ARM RETAINING ASSY, SHORT | 4 | |
| 5 | 1162 A | CAP, GREASE ZERK #2 YELLOW | 4 | |
| 6 | 0166 A | WASHER, LOCK, 3/8 MED. | 4 | |
| 7 | 0164 B | SCREW, TROWEL ADJUSTMENT 3/8-16 | 4 | |
| 8 | 1876 | NUT, HEX JAM 3/8-16 CLASS 2B | 4 | |
| 9 | 10768 | ARM, TROWEL W/A | 4 | |
| 10 | 10790 | SCREW, HHC M6- 1 X 30MM | 8 | |
| 11 | 0181 B | LOCK WASHER 1/4" | 8 | |
| 12 | 30148 | SPRING, TROWEL ARM CA4 | 4 | |
| 13 | 11860 | SPIDER ASM..... | 1..... | INCLUDES ITEMS W/* |

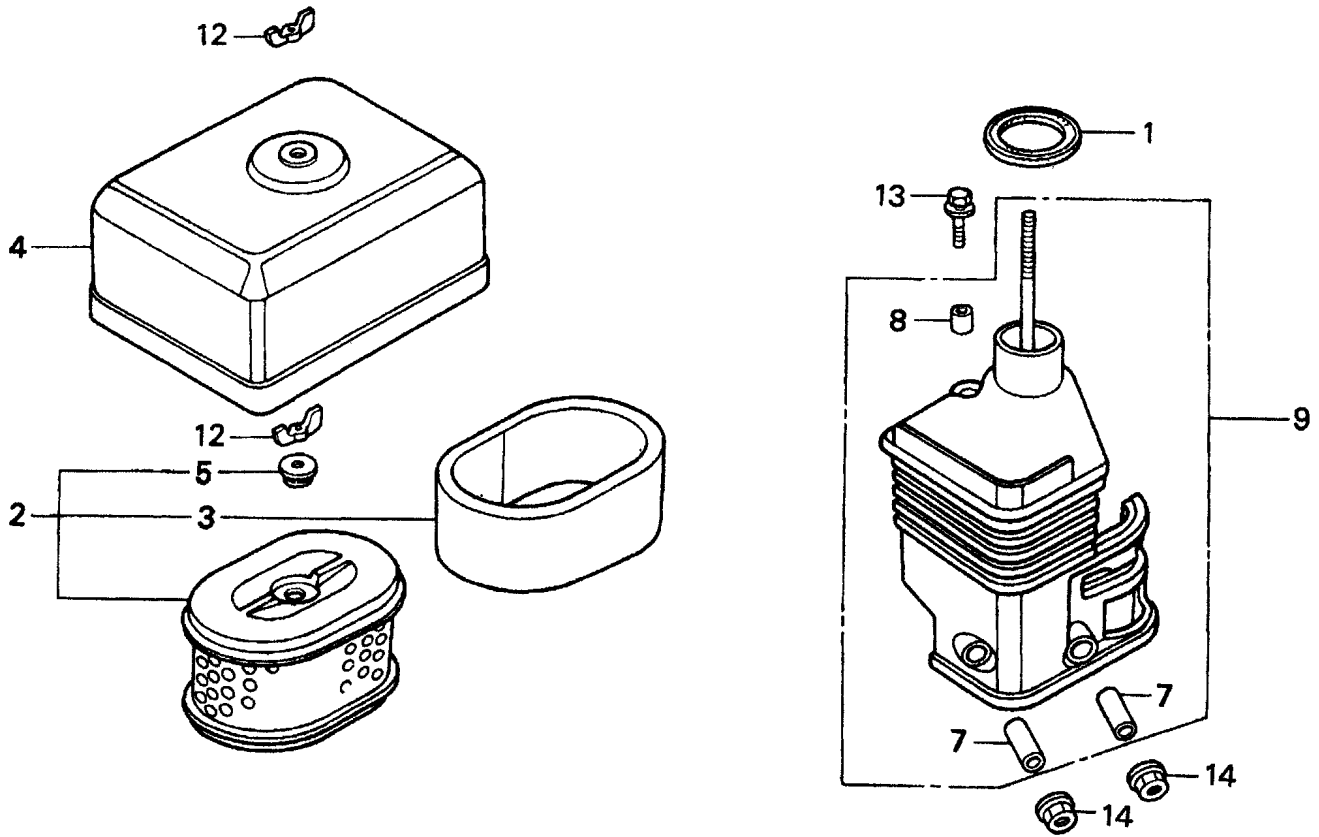
CA4HC TROWEL — BLADES & PAN ASSY.



CA4HC TROWEL — BLADES & PAN ASSY.

| <u>NO.</u> | <u>PART NO.</u> | <u>PART NAME</u> | <u>QTY.</u> | <u>REMARKS</u> |
|------------|-----------------|----------------------------------|-------------|--|
| 1 | | COMBO FLOAT & FINISH BLADE | 4..... | CONTACT UNIT SALES DEPT./ACCESSORY ITEM |
| 2 | | FLOAT DISC LATCH PIN..... | 4..... | CONTACT UNIT SALES DEPT./ACCESSORY ITEM |
| 3 | | FLOAT DISC | 1..... | CONTACT UNIT SALES DEPT./ACCESSORY ITEM |

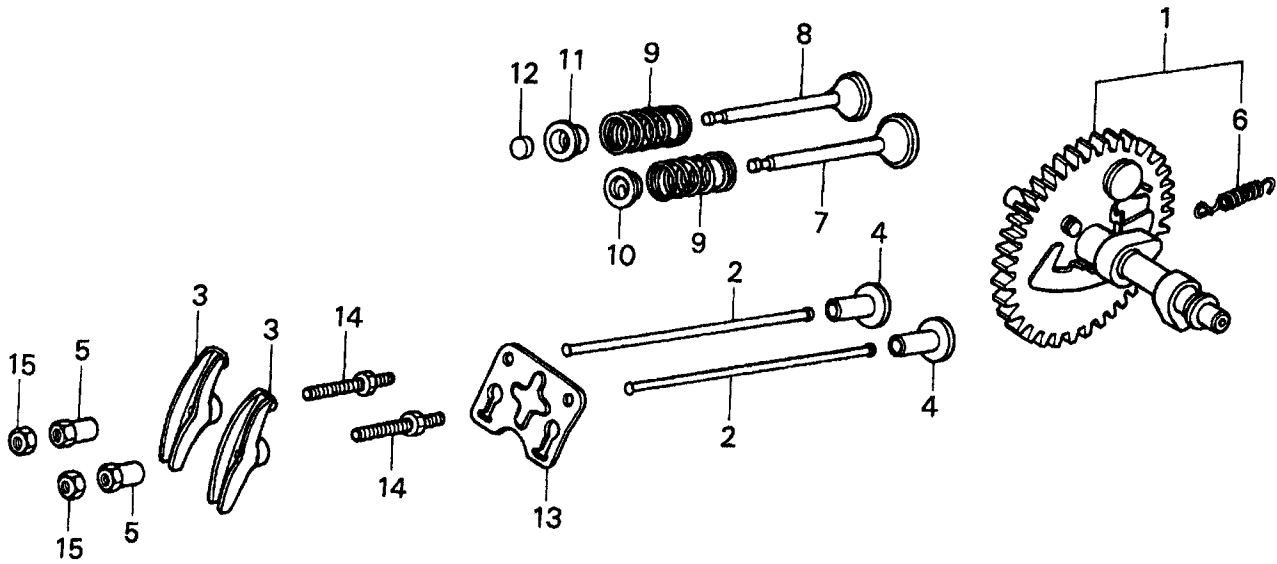
HONDA GX120UTQX2 ENGINE — AIR CLEANER (DUAL) ASSY.



HONDA GX120UTQX2 ENGINE — AIR CLEANER (DUAL) ASSY.

| <u>NO.</u> | <u>PART NO.</u> | <u>PART NAME</u> | <u>QTY.</u> | <u>REMARKS</u> |
|------------|-----------------|----------------------------------|-------------|--------------------|
| 1 | 16271ZE1000 | GASKET, ELBOW | 1 | |
| 2 | 17210ZE0505 | ELEMENT, AIR CLEANER (DUAL)..... | 1..... | INCLUDES ITEMS W/* |
| 3* | 17218ZE0505 | FILTER, OUTER | 1 | |
| 4 | 17230ZE0820 | COVER, AIR CLEANER (DUAL) | 1 | |
| 5* | 17232891000 | GROMMET, AIR CLEANER | 1 | |
| 7# | 17238ZE0010 | COLLAR, AIR CLEANER | 2 | |
| 8# | 17239ZE1000 | COLLAR B, AIR CLEANER | 1 | |
| 9 | 17410ZE0030 | ELBOW, AIR CLEANER | 1..... | INCLUDES ITEMS W/# |
| 12 | 90325044000 | WINGNUT, TOOL BOX SETTING | 2 | |
| 13 | 957010602000 | BOLT, FLANGE 6X20 | 1 | |
| 14 | 9405006000 | NUT, FLANGE 6MM | 2 | |

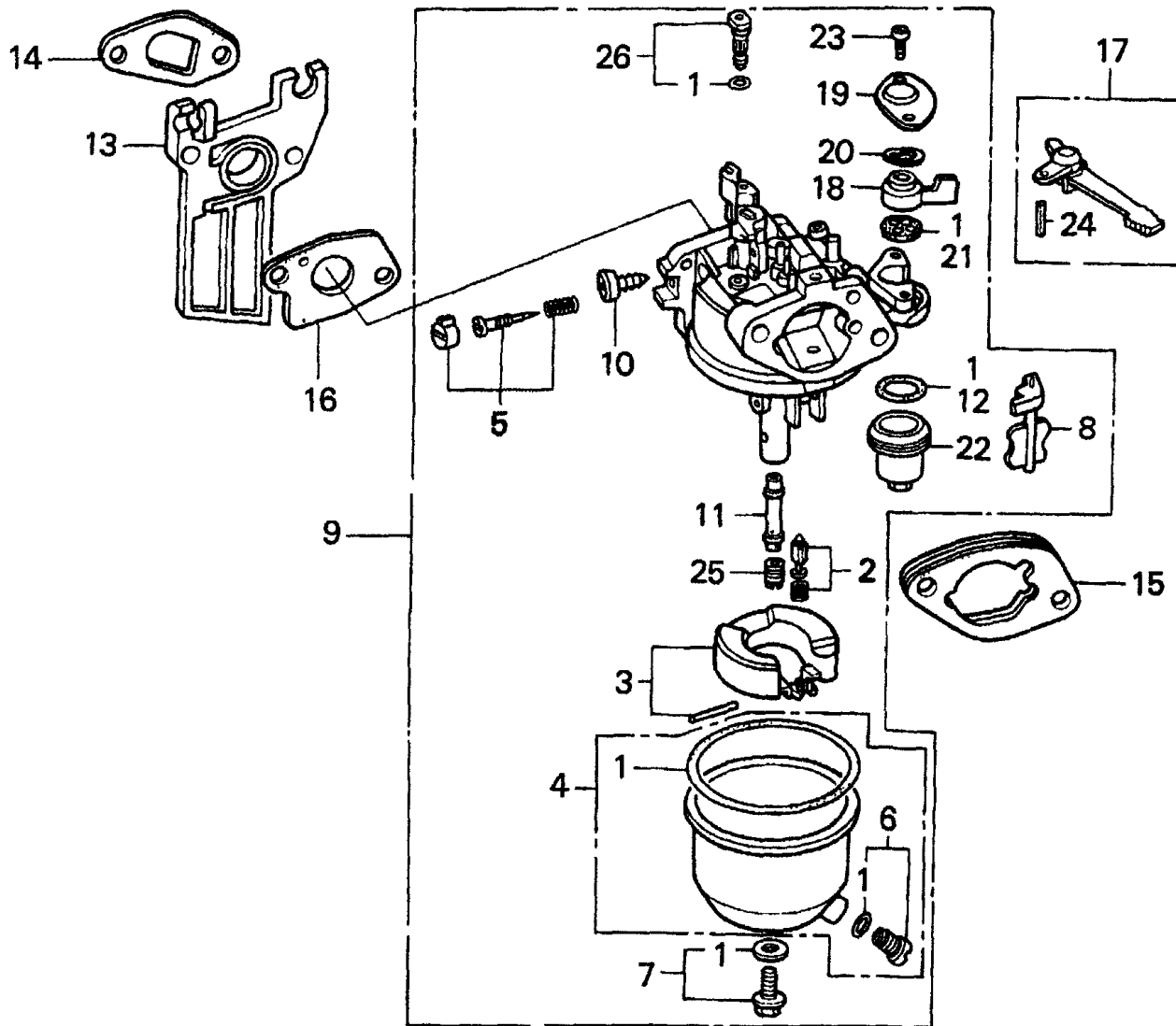
HONDA GX120UTQX2 ENGINE — CAMSHAFT ASSY.



HONDA GX120UTQX2 ENGINE — CAMSHAFT ASSY.

| <u>NO.</u> | <u>PART NO.</u> | <u>PART NAME</u> | <u>QTY.</u> | <u>REMARKS</u> |
|------------|-----------------|----------------------------|-------------|--------------------|
| 1 | 14100ZE0812 | CAMSHAFT ASSEMBLY | 1..... | INCLUDES ITEMS W/* |
| 2 | 14410ZE0010 | ROD, PUSH | 2 | |
| 3 | 14431ZE1000 | ARM, VALVE ROCKER | 2 | |
| 4 | 14441ZE1010 | LIFTER, VALVE | 2 | |
| 5 | 14451ZE1013 | PIVOT, ROCKER ARM | 2 | |
| 6* | 14568ZE1000 | SPRING, WEIGHT RETURN | 1 | |
| 7 | 14711ZF0010 | VALVE, IN. | 1 | |
| 8 | 14721ZH7810 | VALVE, EX. (HAUST) | 1 | |
| 9 | 14751ZF1000 | SPRING, VALVE | 2 | |
| 10 | 14771ZE1000 | RETAINER, IN. VALVE SPRING | 1 | |
| 11 | 14773ZE1000 | RETAINER, EX. VALVE SPRING | 1 | |
| 12 | 14781ZE1000 | ROTATOR, VALVE | 1 | |
| 13 | 14791ZE0010 | PLATE, PUSH ROD GUIDE | 1 | |
| 14 | 90012ZE0010 | BOLT, PIVOT 8MM | 2 | |
| 15 | 90206ZE1000 | NUT, PIVOT ADJ. | 2 | |

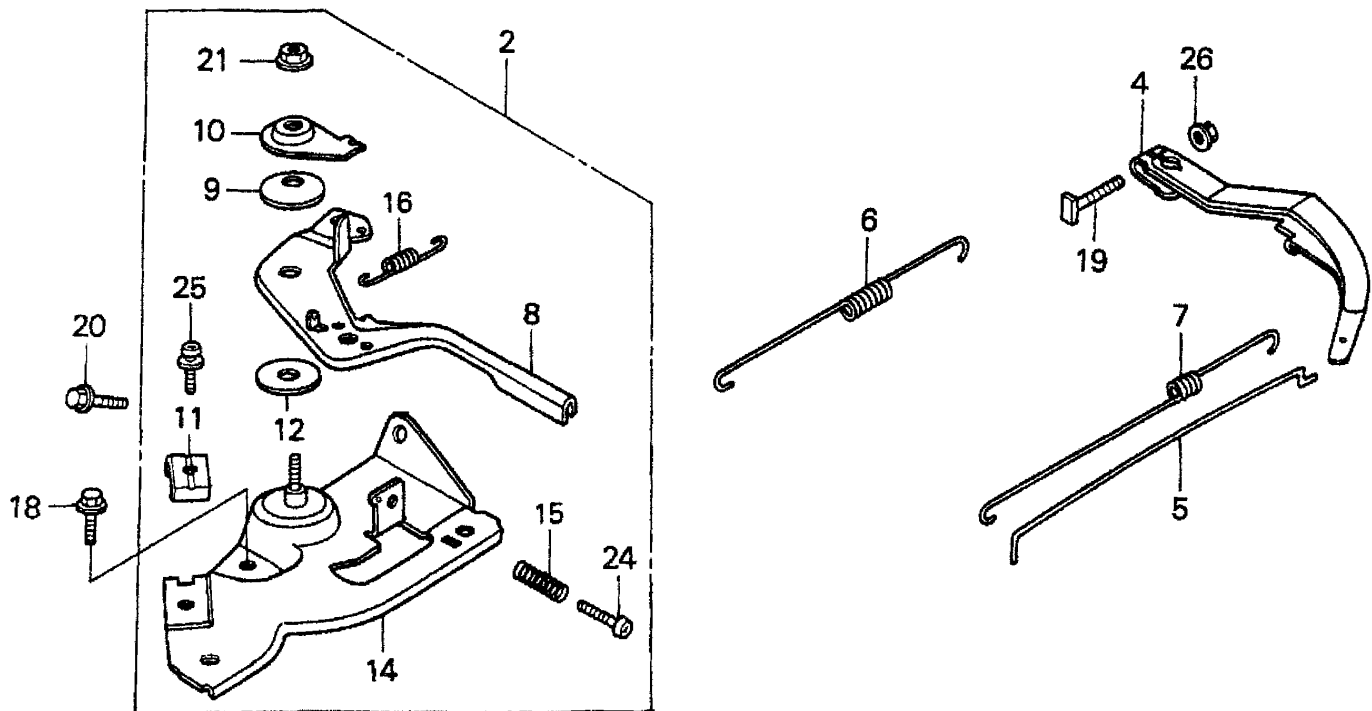
HONDA GX120UTQX2 ENGINE — CARBURETOR ASSY.



HONDA GX120UTQX2 ENGINE — CARBURETOR ASSY.

| <u>NO.</u> | <u>PART NO.</u> | <u>PART NAME</u> | <u>QTY.</u> | <u>REMARKS</u> |
|------------|-----------------|----------------------------------|-------------|--------------------|
| 1* | 16010ZE1812 | GASKET SET | 1 | |
| 2* | 16011ZE0005 | VALVE SET, FLOAT | 1 | |
| 3* | 16013ZE0005 | FLOAT SET | 1 | |
| 4* | 16015ZE1811 | CHAMBER SET, FLOAT | 1 | |
| 5* | 16016ZH7W01 | SCREW SET | 1 | |
| 6* | 16024ZE1811 | SCREW SET, DRAIN | 1 | |
| 7* | 16028ZE0005 | SCREW SET B | 1 | |
| 8* | 16044ZE0005 | CHOKE SET | 1 | |
| 9 | 16100ZH8W51 | CARBURETOR ASSY. (BE65B B) | 1 | INCLUDES ITEMS W/* |
| 10* | 16124ZE0005 | SCREW, THROTTLE STOP | 1 | |
| 11* | 16166ZH7W50 | NOZZLE, MAIN | 1 | |
| 12* | 16173001004 | O-RING | 1 | |
| 13 | 16211ZE1000 | INSULATOR, CARBURETOR | 1 | |
| 14 | 16212ZH7800 | GASKET, INSULATOR | 1 | |
| 15 | 16220ZE1020 | SPACER, CARBURETOR | 1 | |
| 16 | 16221ZH8801 | GASKET, CARBURETOR | 1 | |
| 17 | 16610ZE1000 | LEVER, CHOKE (STD) | 1 | INCLUDES ITEMS W/# |
| 18* | 16953ZE1812 | LEVER, VALVE | 1 | |
| 19* | 16954ZE1811 | PLATE, LEVER SETTING | 1 | |
| 20* | 16956ZE1811 | SPRING, VALVE LEVER | 1 | |
| 21* | 16957ZE1812 | GASKET, VALVE | 1 | |
| 22* | 16967ZE0811 | CUP, FUEL STRAINER | 1 | |
| 23* | 93500030080G | SCREW, PAN (3 X 6) | 2 | |
| 24# | 9430520122 | PIN, SPRING (2 X 12) | 1 | |
| 25 | 99101ZH80550 | JET, MAIN (#55) OPTIONAL | 1 | |
| 25 | 99101ZH80580 | JET, MAIN (#58) OPTIONAL | 1 | |
| 25* | 99101ZH80600 | JET, MAIN (#60) | 1 | |
| 26* | 99204ZE00350 | JET, SET, PILOT (#35) | 1 | |

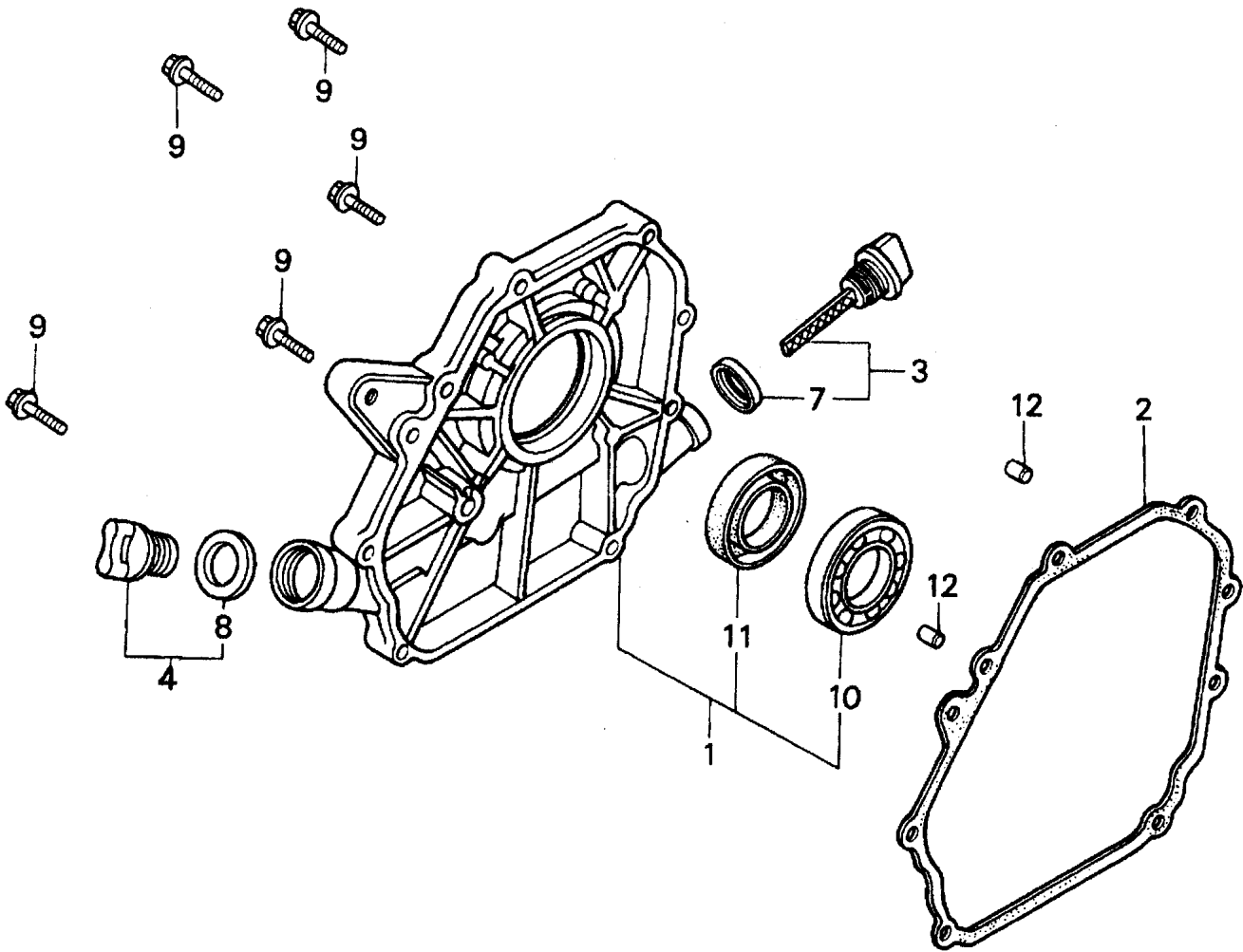
HONDA GX120UTQX2 ENGINE — CONTROL ASSY.



HONDA GX120UTQX2 ENGINE — CONTROL ASSY.

| <u>NO.</u> | <u>PART NO.</u> | <u>PART NAME</u> | <u>QTY.</u> | <u>REMARKS</u> |
|------------|-----------------|---------------------------|-------------|--------------------|
| 2 | 16500ZH7820 | CONTROL ASSEMBLY..... | 1..... | INCLUDES ITEMS W/* |
| 4 | 16551ZE0010 | ARM, GOVERNOR | 1 | |
| 5 | 16555ZE0000 | ROD, GOVERNOR | 1 | |
| 6 | 16561ZE0020 | SPRING, GOVERNOR | 1 | |
| 7 | 16562ZE0020 | SPRING, THROTTLE RETURN | 1 | |
| 8* | 16571ZH7000 | LEVER, CONTROL | 1 | |
| 9* | 16574ZE1000 | SPRING, LEVER | 1 | |
| 10* | 16575ZH8000 | WASHER, CONTROL LEVER | 1 | |
| 11* | 16576891000 | HOLDER, CABLE | 1 | |
| 12* | 16578ZE1000 | SPACER, CONTROL LEVER | 1 | |
| 14* | 16580ZH7810 | BASE, CONTROL | 1 | |
| 15* | 16584883300 | SPRING, CONTROL ADJUSTING | 1 | |
| 16* | 16592ZE1810 | SPRING, CABLE RETURN | 1 | |
| 18 | 90013883000 | BOLT, FLANGE 6X12 (CT200) | 1 | |
| 19 | 90015ZE5010 | BOLT, GOVERNOR ARM | 1 | |
| 20 | 90022888010 | BOLT, FLANGE 6X20 (CT200) | 1 | |
| 21* | 90114SA0000 | NUT, SELF- LOCK 6MM | 1 | |
| 24* | 93500050250H | SCREW, PAN 5X25 | 1 | |
| 25* | 93500050160A | SCREW-WASHER (5X16) | 1 | |
| 26 | 9405006000 | NUT, FLANGE 6MM | 1 | |

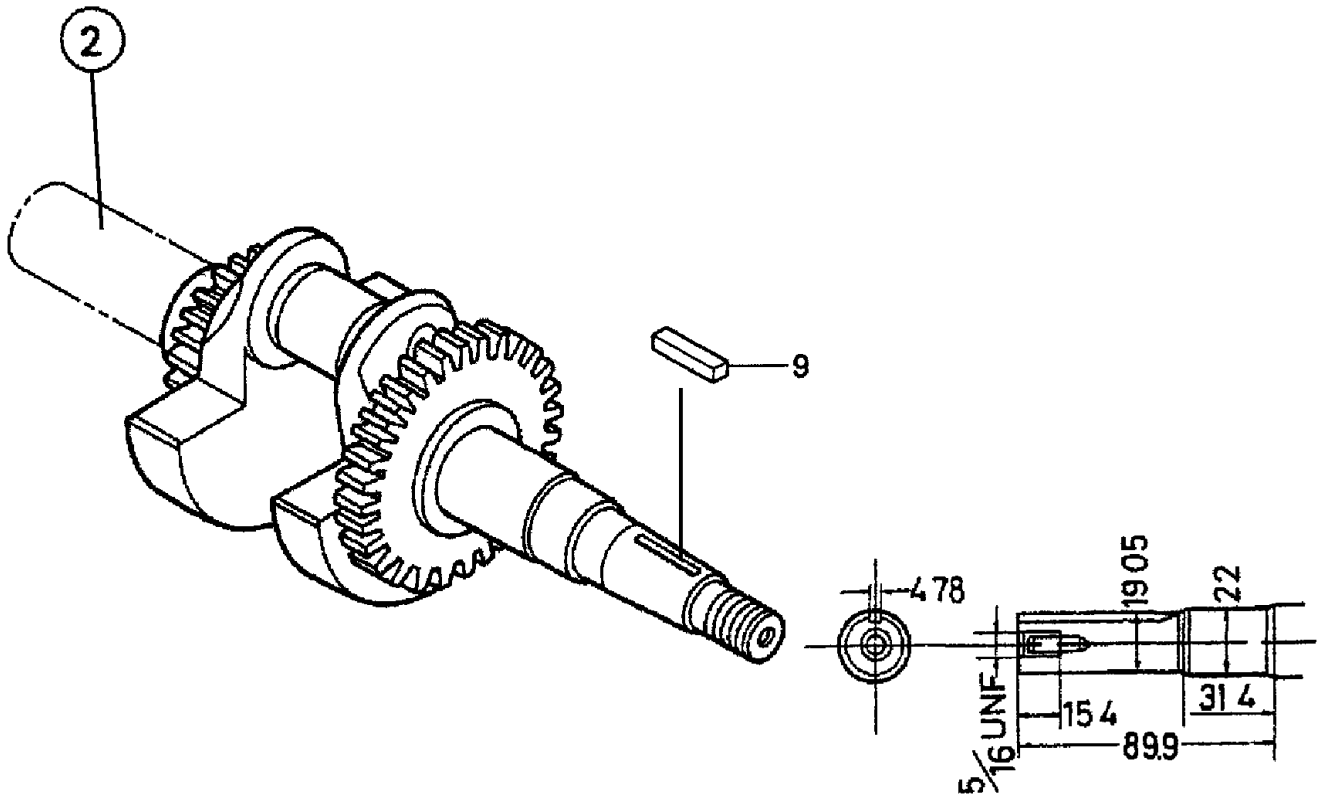
HONDA GX120UTQX2 ENGINE — CRANKCASE COVER ASSY.



HONDA GX120UTQX2 ENGINE — CRANKCASE COVER ASSY.

| <u>NO.</u> | <u>PART NO.</u> | <u>PART NAME</u> | <u>QTY.</u> | <u>REMARKS</u> |
|------------|-----------------|--|-------------|--------------------|
| 1 | 11300ZE0640 | COVER ASSEMBLY, CRANKCASE (U- TYPE)... | 1 | INCLUDES ITEMS W/% |
| 2 | 11381ZH7800 | GASKET, CASE COVER | 1 | |
| 3 | 15600ZE1003 | CAP ASSEMBLY, OIL FILLER | 1 | INCLUDES ITEMS W/# |
| 4 | 15600ZG4003 | CAP ASSEMBLY, OIL FILLER | 1 | INCLUDES ITEMS W/* |
| 7# | 15625ZE1003 | GASKET, OIL FILLER CAP | 1 | |
| 8* | 15625ZE1003 | GASKET, OIL FILLER CAP | 1 | |
| 9 | 90015883000 | BOLT, FLANGE 6X28 | 7 | |
| 10% | 91001878003 | BEARING, RADIAL BALL | 1 | |
| 11% | 91203ZE0003 | OIL SEAL 22X41X6 | 1 | |
| 12 | 9430108140 | PIN A, DOWEL 8X14 | 2 | |

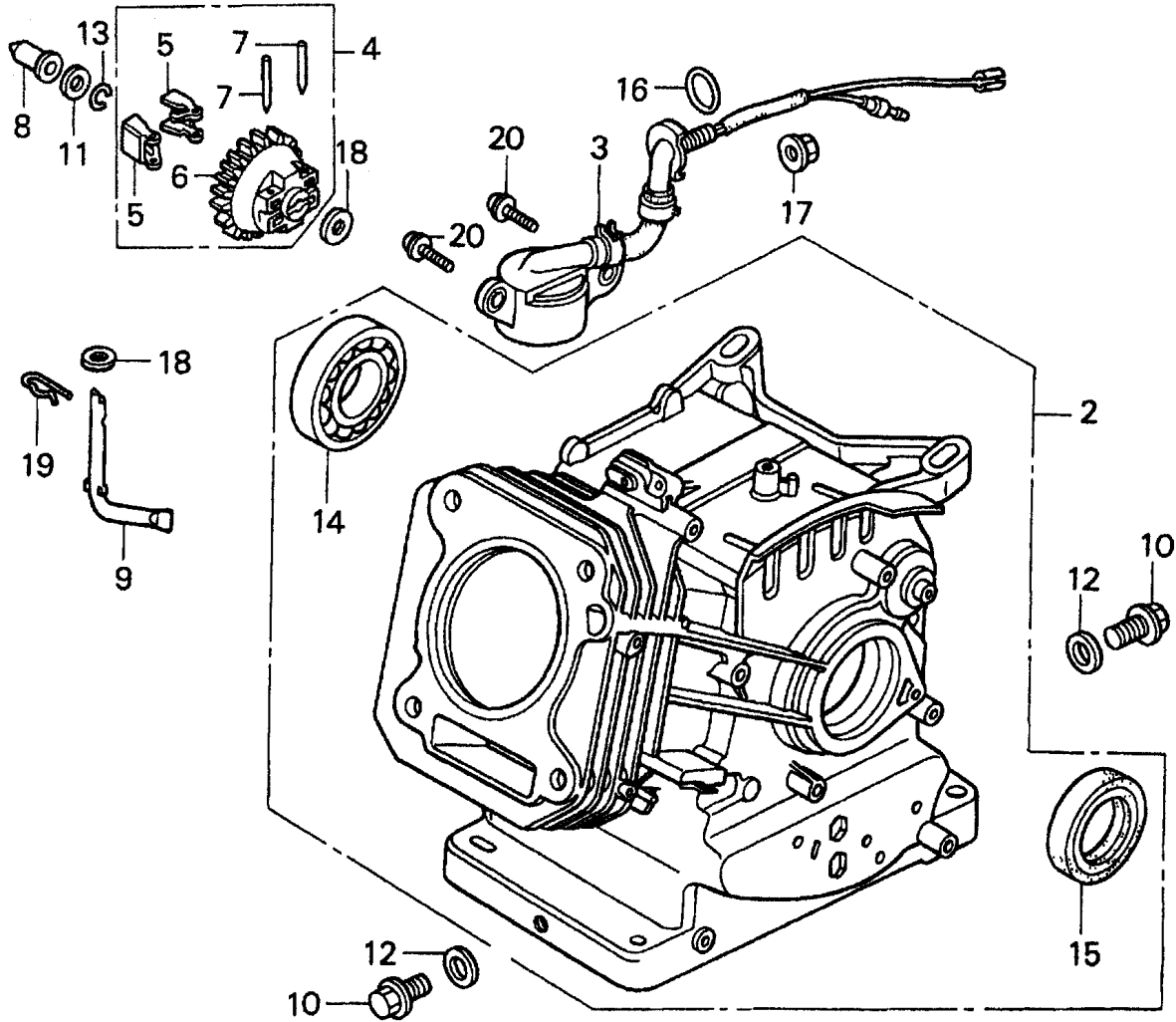
HONDA GX120UTQX2 ENGINE — CRANKSHAFT ASSY.



HONDA GX120UTQX2 ENGINE — CRANKSHAFT ASSY.

| <u>NO.</u> | <u>PART NO.</u> | <u>PART NAME</u> | <u>QTY.</u> | <u>REMARKS</u> |
|------------|-----------------|------------------------|-------------|----------------|
| 2 | 13310ZE0650 | CRANKSHAFT, Q-TYPE | 1 | |
| 9 | 90745ZE1600 | KEY (4.78 X 4.78 X 38) | 1 | |

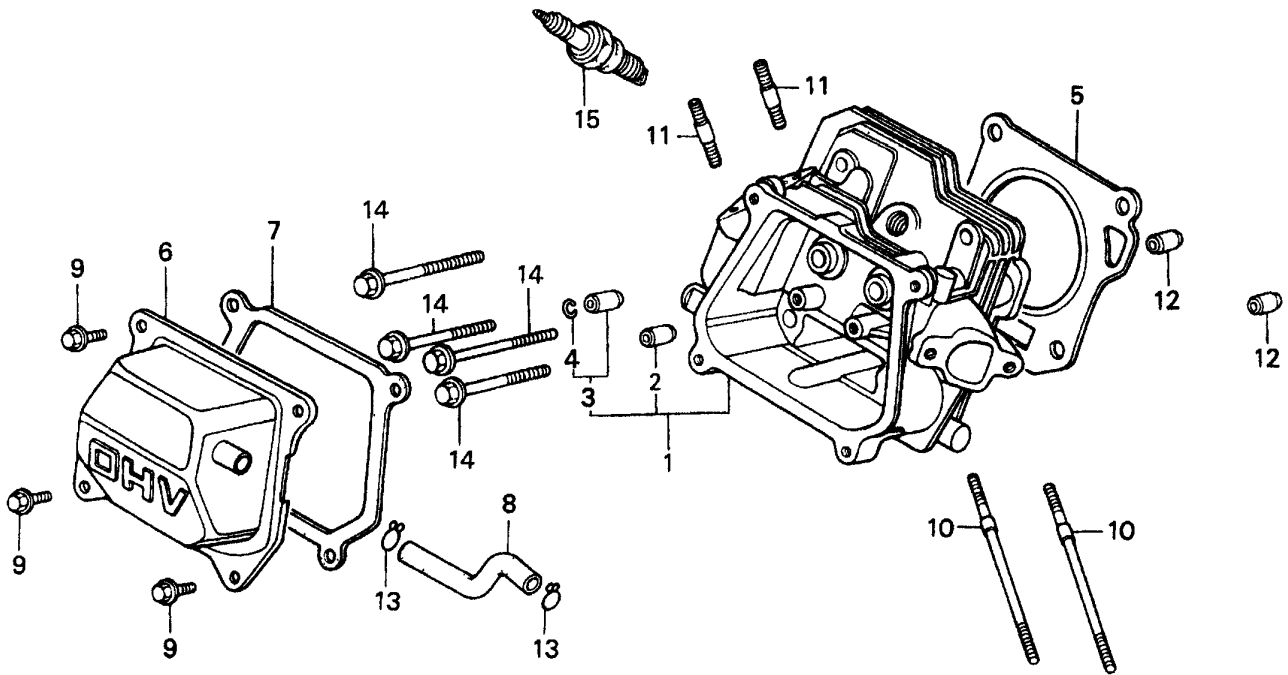
HONDA GX120UTQX2 ENGINE — CYLINDER BARREL ASSY.



HONDA GX120UTQX2 ENGINE — CYLINDER BARREL ASSY.

| <u>NO.</u> | <u>PART NO.</u> | <u>PART NAME</u> | <u>QTY.</u> | <u>REMARKS</u> |
|------------|-----------------|---|-------------|--------------------|
| 2 | 12000ZH7415 | CYLINDER ASSEMBLY, 811 (OIL ALERT)..... | 1..... | INCLUDES ITEMS W/* |
| 3 | 15510ZE1033 | SWITCH ASSEMBLY, OIL LEVEL | 1 | |
| 4 | 16510ZE1000 | GOVERNOR ASSEMBLY | 1..... | INCLUDES ITEMS W/# |
| 5# | 16511ZE1000 | WEIGHT, GOVERNOR | 2 | |
| 6# | 16512ZE1000 | HOLDER, GOVERNOR WEIGHT | 1 | |
| 7# | 16513ZE1000 | PIN, GOVERNOR WEIGHT | 2 | |
| 8 | 16531ZE1000 | SLIDER, GOVERNOR | 1 | |
| 9 | 16541ZE1000 | SHAFT, GOVERNOR ARM | 1 | |
| 10 | 90131ZE1000 | BOLT, DRAIN PLUG | 2 | |
| 11 | 90451ZE1000 | WASHER, THRUST 6MM | 1 | |
| 12 | 90601ZE1000 | WASHER, DRAIN PLUG 10.2MM | 2 | |
| 13 | 90602ZE1000 | CLIP, GOVERNOR HOLDER | 1 | |
| 14* | 91001878003 | BEARING, RADIAL BALL 62/22 | 1 | |
| 15* | 91202ZE6003 | OIL SEAL 22X35X6 | 1 | |
| 16 | 91353671003 | O- RING 13.5X1.5 (ARAI) | 1 | |
| 17 | 9405010000 | NUT, FLANGE 10MM | 1 | |
| 18 | 9410106800 | WASHER, PLAIN 6MM | 2 | |
| 19 | 9425108000 | PIN, LOCK 8MM | 1 | |
| 20 | 957010601200 | BOLT, FLANGE 6X12 | 2 | |

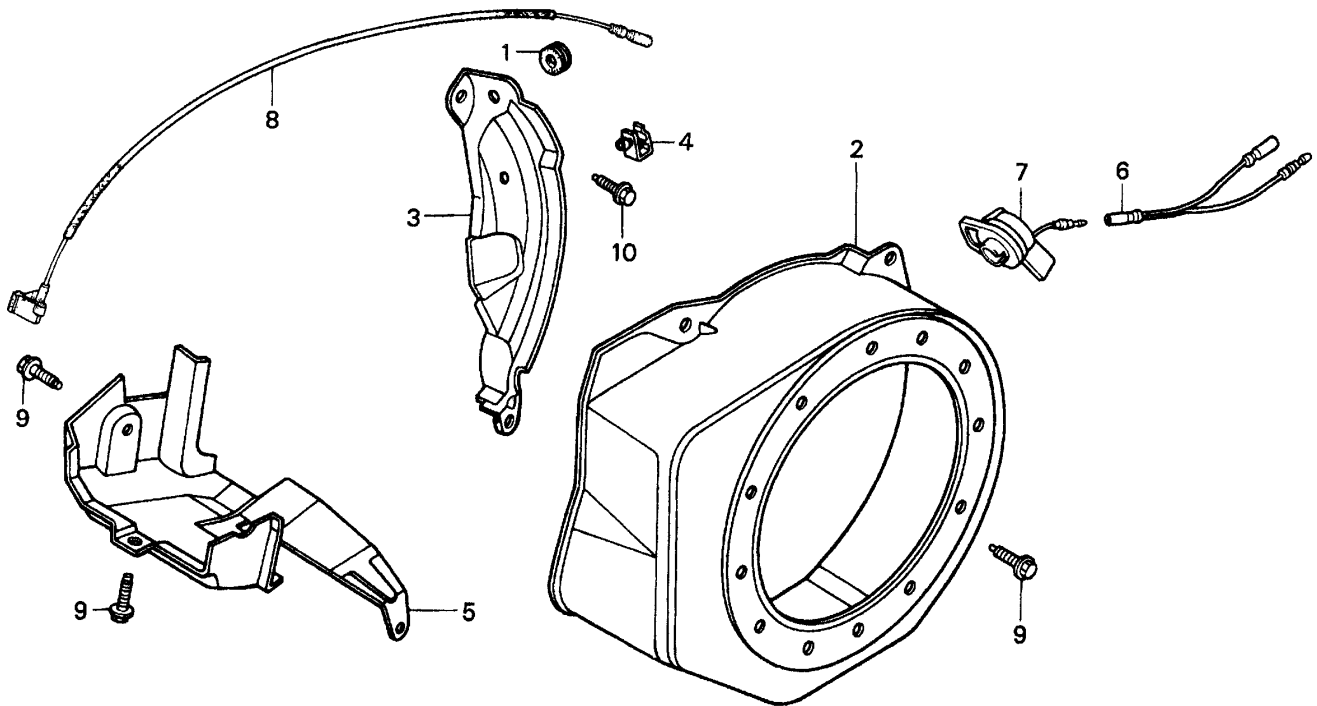
HONDA GX120UTQX2 ENGINE — CYLINDER HEAD ASSY.



HONDA GX120UTQX2 ENGINE — CYLINDER HEAD ASSY.

| <u>NO.</u> | <u>PART NO.</u> | <u>PART NAME</u> | <u>QTY.</u> | <u>REMARKS</u> |
|------------|-----------------|--------------------------------------|-------------|--------------------|
| 1 | 12210ZH7000 | CYLINDER HEAD..... | 1..... | INCLUDES ITEMS W/* |
| 2* | 12204ZE1306 | GUIDE, VALVE (OS) OPTIONAL | 1 | |
| 3* | 12205ZE1315 | GUIDE, EX. VALVE (OS) OPTIONAL | 1..... | INCLUDES ITEMS W/# |
| 4*# | 12216ZE5300 | CLIP, VALVE GUIDE | 1 | |
| 5 | 12251ZH7800 | GASKET, CYLINDER HEAD | 1 | |
| 6 | 12310ZE1000 | COVER, HEAD | 1 | |
| 6 | 12310ZE1010 | COVER, HEAD | 1 | |
| 7 | 12391ZE1000 | GASKET, CYLINDER HEAD COVER | 1 | |
| 8 | 15721ZH8000 | TUBE, BREATHER | 1 | |
| 9 | 90013883000 | BOLT, FLANGE 6X12 (CT200) | 4 | |
| 10 | 90043ZE1020 | BOLT, STUD 6X109 | 2 | |
| 11 | 90047ZE1000 | BOLT, STUD 8X32 | 2 | |
| 12 | 9430110160 | PIN, A, DOWEL 10X16 | 2 | |
| 14 | 957230805500 | BOLT, FLANGE 8X55 | 4 | |
| 15 | 9807955855 | SPARK PLUG W16EPR- U (DENSO), OPT. | 1 | |
| 15 | 9807956846 | SPARK PLUG BPR6ES, (NGK) | 1 | |

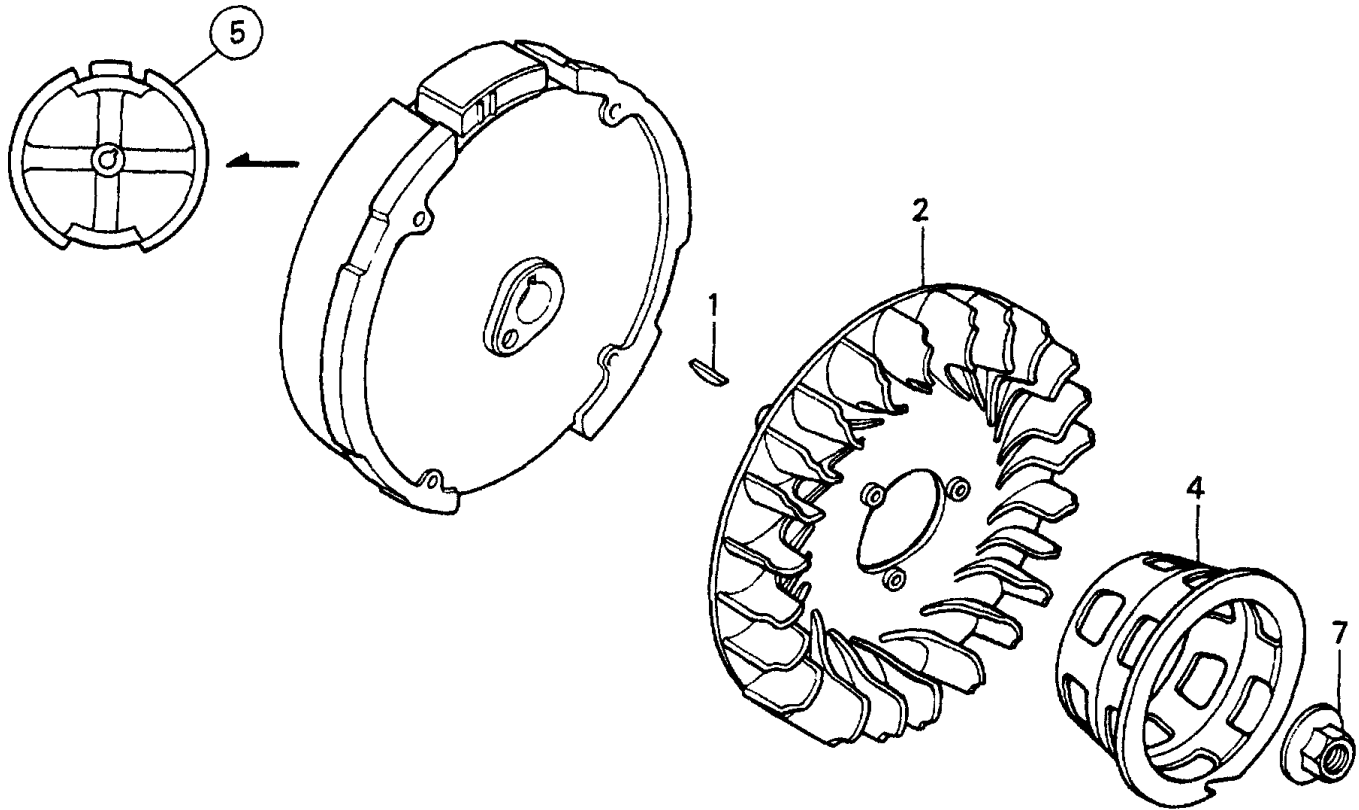
HONDA GX120UTQX2 ENGINE — FAN COVER ASSY.



HONDA GX120UTQX2 ENGINE — FAN COVER ASSY.

| <u>NO.</u> | <u>PART NO.</u> | <u>PART NAME</u> | <u>QTY.</u> | <u>REMARKS</u> |
|------------|-----------------|------------------------------|-------------|----------------|
| 1 | 11347371300 | GROMMET, ADJUSTING COVER | 1 | |
| 2 | 19610ZE0000ZE | COVER, FAN *NH1* BLACK | 1 | |
| 3 | 19612ZH7810 | PLATE, SIDE (OIL ALERT) | 1 | |
| 4 | 90601ZH7013 | CLIP, HARNESS | 1 | |
| 5 | 19630ZH7000 | SHROUD | 1 | |
| 6 | 32197ZH8003 | SUB- HARNESS | 1 | |
| 7 | 36100ZH7003 | SWITCH ASSEMBLY, ENGINE STOP | 1 | |
| 8 | 36101ZE1010 | WIRE, STOP SWITCH 370MM | 1 | |
| 9 | 90013883000 | BOLT, FLANGE 6X12 (CT200) | 6 | |
| 10 | 90022888010 | BOLT, FLANGE 6X12 (CT200) | 1 | |
| 11 | 34150ZH7003 | ALERT UNIT, OIL | 1 | |
| 13 | 957010600800 | BOLT, FLANGE 6X8 | 1 | |

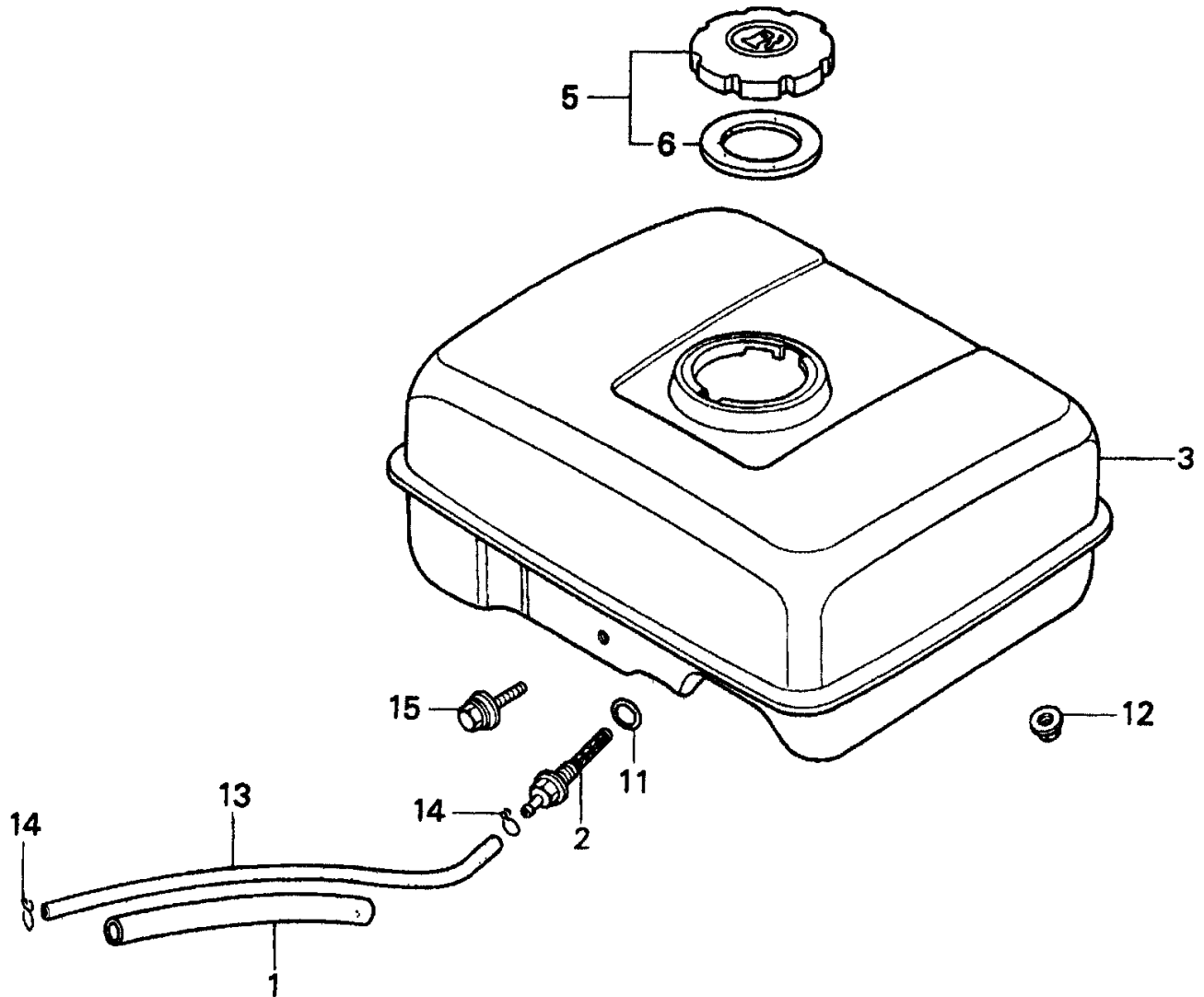
HONDA GX120UTQX2 ENGINE — FLYWHEEL ASSY.



HONDA GX120UTQX2 ENGINE — FLYWHEEL ASSY.

| <u>NO.</u> | <u>PART NO.</u> | <u>PART NAME</u> | <u>QTY.</u> | <u>REMARKS</u> |
|------------|-----------------|-----------------------------|-------------|----------------|
| 1 | 13331357000 | KEY, SPECIAL WOODRUFF 25X18 | 1 | |
| 2 | 19511ZE0000 | FAN, COOLING | 1 | |
| 4 | 28451ZH8003 | PULLEY, STARTER | 1 | |
| 5 | 31100ZE0010 | FLYWHEEL | 1 | |
| 7 | 90201878003 | NUT, SPECIAL 14MM | 1 | |

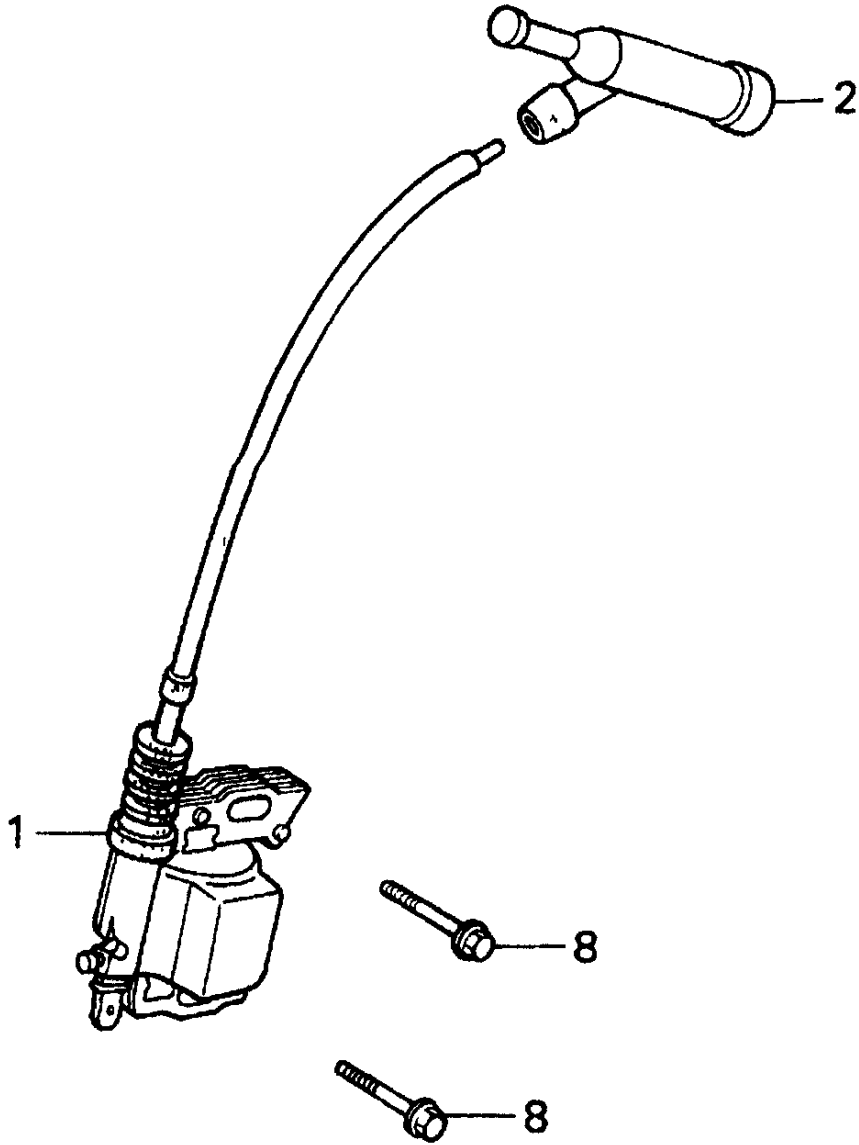
HONDA GX120UTQX2 ENGINE — FUEL TANK ASSY.



HONDA GX120UTQX2 ENGINE — FUEL TANK ASSY.

| <u>NO.</u> | <u>PART NO.</u> | <u>PART NAME</u> | <u>QTY.</u> | <u>REMARKS</u> |
|------------|-----------------|--------------------------------------|-------------|--------------------|
| 1 | 16854ZH8000 | RUBBER, SUPPORTER 107MM | 1 | |
| 2 | 16955ZE1000 | JOINT, FUEL TANK | 1 | |
| 3 | 17510ZE0020ZD | TANK, FUEL *NH1* (BLACK) | 1 | |
| 5 | 17620ZH7023 | CAP, FUEL FILLER..... | 1..... | INCLUDES ITEMS W/* |
| 6* | 17631ZH7003 | GASKET, FUEL FILLER CAP | 1 | |
| 11 | 91353671003 | O- RING 13.5X1.5 (ARAI) | 1 | |
| 12 | 9405006000 | NUT, FLANGE 6MM | 2 | |
| 13 | 950014500360M | BULK HOSE, FUEL (4.5X3000) (4.5X140) | 1 | |
| 14 | 9500202080 | CLIP, TUBE (B8) | 2 | |
| 15 | 90004ZH7003 | BOLT, FLANGE 6X29 | 1 | |

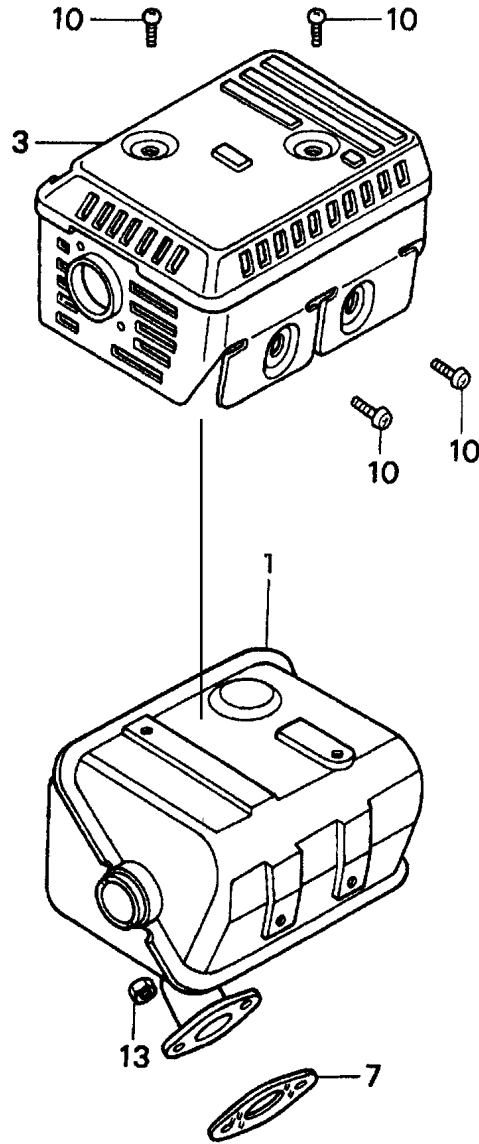
HONDA GX120UTQX2 ENGINE — IGNITION COIL ASSY.



HONDA GX120UTQX2 ENGINE — IGNITION COIL ASSY.

| <u>NO.</u> | <u>PART NO.</u> | <u>PART NAME</u> | <u>QTY.</u> | <u>REMARKS</u> |
|------------|-----------------|--------------------------------|-------------|----------------|
| 1 | 30500ZE1033 | COIL ASSEMBLY, IGNITION | 1 | |
| 2 | 30700ZE1013 | CAP ASSEMBLY, NOISE SUPPRESSOR | 1 | |
| 8 | 90121952000 | BOLT, FLANGE 6X25 | 2 | |

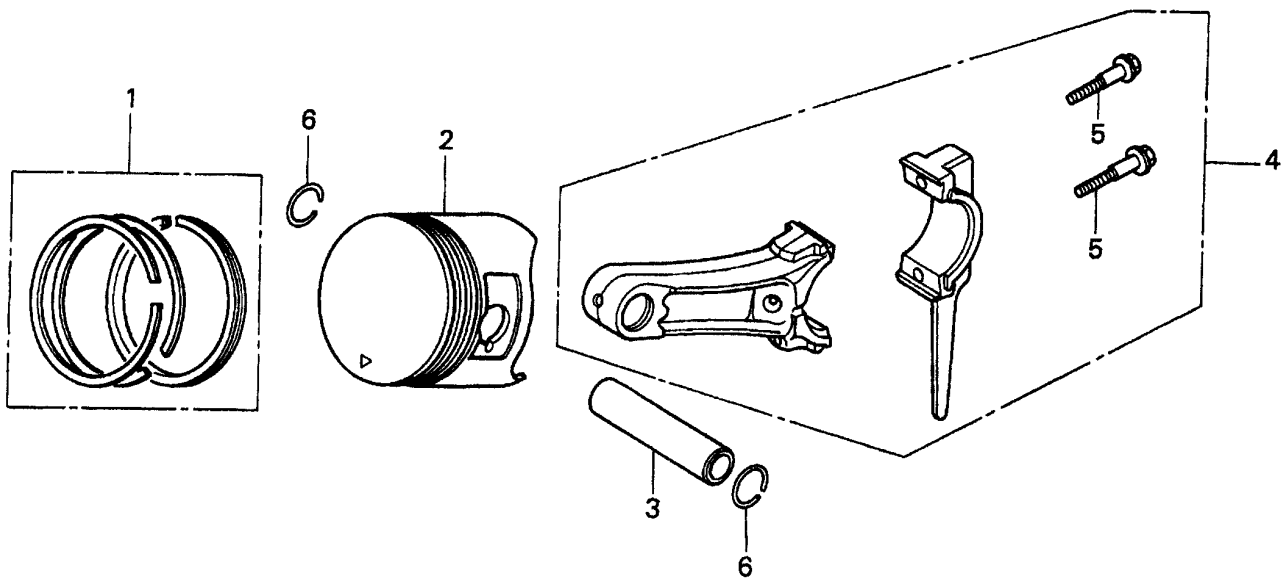
HONDA GX120UTQX2 ENGINE — MUFFLER ASSY.



HONDA GX120UTQX2 ENGINE — MUFFLER ASSY.

| <u>NO.</u> | <u>PART NO.</u> | <u>PART NAME</u> | <u>QTY.</u> | <u>REMARKS</u> |
|------------|-----------------|--------------------|-------------|----------------|
| 1 | 18310ZF1000 | MUFFLER | 1 | |
| 3 | 18320ZF1H01 | PROTECTOR, MUFFLER | 1 | |
| 7 | 18381ZH8800 | GASKET, MUFFLER | 1 | |
| 10 | 90050ZE1000 | SCREW, TAPPING 5X8 | 4 | |
| 13 | 94001080000S | NUT, HEX. 8MM | 2 | |

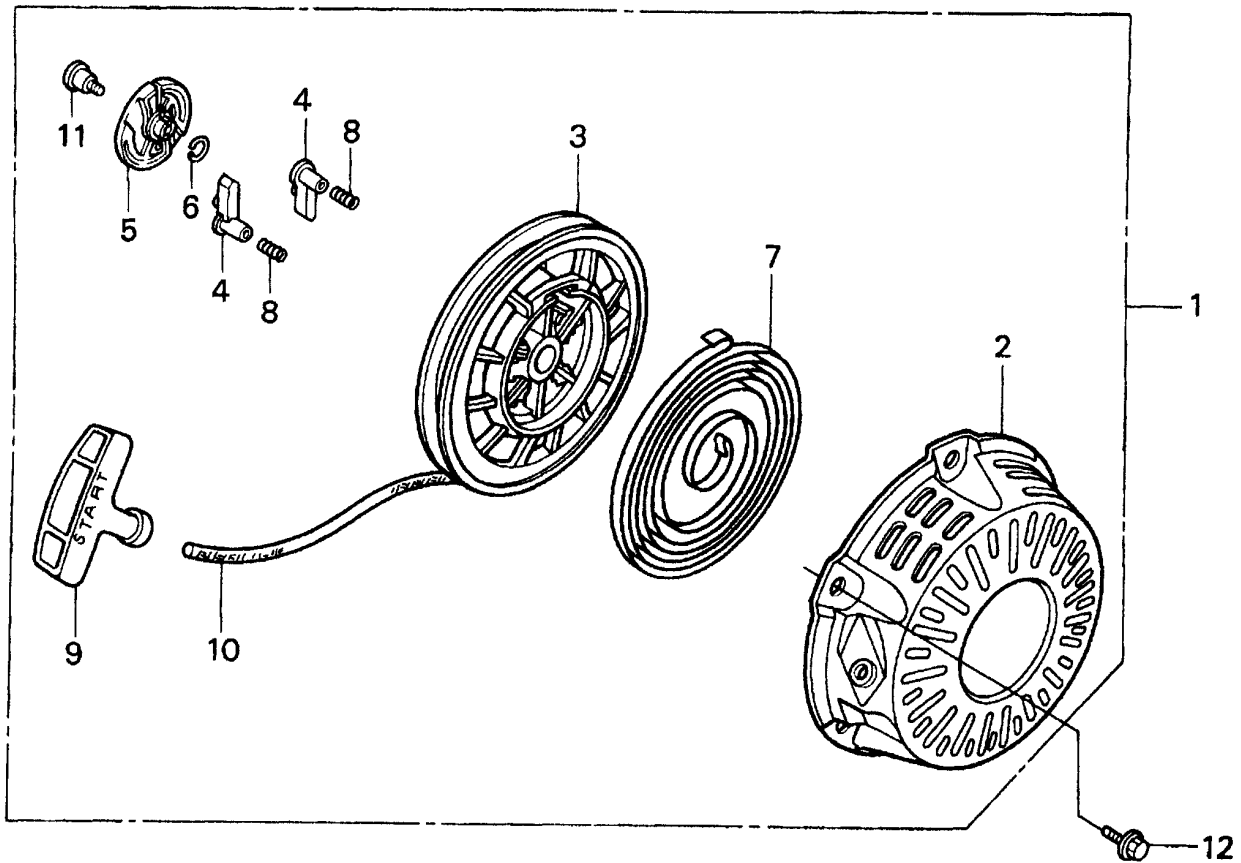
HONDA GX120UTQX2 ENGINE — PISTON ASSY.



HONDA GX120UTQX2 ENGINE — PISTON ASSY.

| <u>NO.</u> | <u>PART NO.</u> | <u>PART NAME</u> | <u>QTY.</u> | <u>REMARKS</u> |
|------------|-----------------|--|-------------|--------------------|
| 1 | 13010ZK7V01 | RING SET, PISTON (STANDARD) | 1 | |
| 1 | 13011ZK7V01 | RING SET, PISTON (OS 0.25), OPTIONAL | 1 | |
| 1 | 13012ZK7V01 | RING SET, PISTON (OS 0.50), OPTIONAL | 1 | |
| 1 | 13013ZK7V01 | RING SET, PISTON (0.75), OPTIONAL | 1 | |
| 2 | 13101ZH7000 | PISTON, STANDARD | 1 | |
| 2 | 13102ZH7000 | PISTON, OS 0.25 (OPTIONAL) | 1 | |
| 2 | 13103ZH7000 | PISTON, OS 0.50 (OPTIONAL) | 1 | |
| 2 | 13104ZH7000 | PISTON, 0.75 (OPTIONAL) | 1 | |
| 3 | 13111ZE0000 | PIN, PISTON | 1 | |
| 4 | 132A0ZE0000 | ROD ASSY., CONNECTING (UNDERSIZE) OPTIONAL | 1 | INCLUDES ITEMS W/* |
| 4 | 13200ZE0000 | ROD ASSEMBLY, CONNECTING | 1 | INCLUDES ITEMS W/* |
| 5* | 90001ZE1000 | BOLT, CONNECTING ROD | 2 | |
| 6 | 90551ZE0000 | CLIP, PISTON PIN 13MM | 2 | |

HONDA GX120UTQX2 ENGINE — RECOIL STARTER ASSY.



HONDA GX120UTQX2 ENGINE — RECOIL STARTER ASSY.

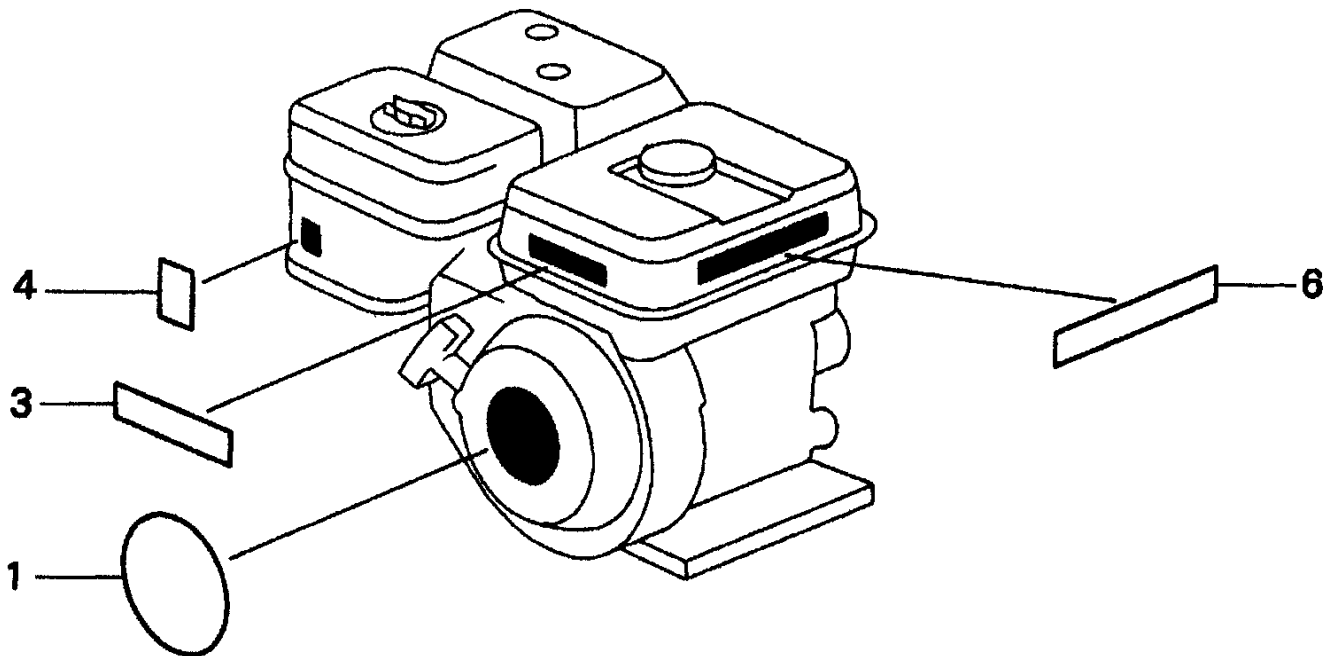
| <u>NO.</u> | <u>PART NO.</u> | <u>PART NAME</u> | <u>QTY.</u> | <u>REMARKS</u> |
|------------|-----------------|-------------------------------------|-------------|--------------------|
| 1 | 28400ZH8013ZB | STARTER ASSY., RECOIL *NH1* (BLACK) | 1 | INCLUDES ITEMS W/* |
| 2* | 28410ZH8003ZB | CASE, RECOIL STARTER | 1 | |
| 3* | 28420ZH8013 | REEL, RECOIL STARTER | 1 | |
| 4* | 28422ZH8013 | RATCHET, STARTER | 2 | |
| 5 * | 28433ZH8003 | GUIDE, RATCHET | 1 | |
| 6* | 28441ZH8003 | SPRING, FRICTION | 1 | |
| 7* | 28442ZH8003 | SPRING, RECOIL STARTER | 1 | |
| 8* | 28443ZH8003 | SPRING, RETURN | 2 | |
| 9* | 28461ZH8003 | KNOB, RECOIL STARTER | 1 | |
| 10* | 28462ZH8003 | ROPE, RECOIL STARTER | 1 | |
| 11* | 90003ZH8003 | SCREW, SETTING | 1 | |
| 12 | 90008ZE2003 | BOLT, FLANGE 6X10 | 3 | |

NO ART WORK

HONDA GX120UTQX2 ENGINE — GASKET KIT ASSY.

| <u>NO.</u> | <u>PART NO.</u> | <u>PART NAME</u> | <u>QTY.</u> | <u>REMARKS</u> |
|------------|-----------------|-----------------------------|-------------|--------------------|
| 1 | 06111ZH7405 | GASKET KIT | 1..... | INCLUDES ITEMS W/* |
| 2* | 11381ZH7800 | GASKET, CASE COVER | 1 | |
| 3* | 12251ZH7800 | GASKET, CYLINDER HEAD | 1 | |
| 4* | 12391ZE1000 | GASKET, CYLINDER HEAD COVER | 1 | |
| 5* | 16212ZH7800 | GASKET, INSULATOR | 1 | |
| 6* | 16221ZH8801 | GASKET, CARBURETOR | 1 | |
| 7* | 18381ZH8800 | GASKET, MUFFLER | 1 | |

HONDA GX120UTQX2 ENGINE — LABELS ASSY.



HONDA GX120UTQX2 ENGINE — LABELS ASSY.

| <u>NO.</u> | <u>PART NO.</u> | <u>PART NAME</u> | <u>QTY.</u> | <u>REMARKS</u> |
|------------|-----------------|---------------------|-------------|----------------|
| 1 | 87521ZH7020 | EMBLEM | 1 | |
| 3 | 87522ZH9000 | LABEL, CAUTION | 1 | |
| 4 | 87528ZE1810 | MARK, CHOKE | 1 | |
| 6 | 87532ZH8810 | MARK, OIL ALERT (E) | 1 | |

TERMS AND CONDITIONS OF SALE — PARTS

PAYMENT TERMS

Terms of payment for parts are net 30 days.

FREIGHT POLICY

All parts orders will be shipped collect or prepaid with the charges added to the invoice. All shipments are F.O.B. point of origin. Multiquip's responsibility ceases when a signed manifest has been obtained from the carrier, and any claim for shortage or damage must be settled between the consignee and the carrier.

MINIMUM ORDER

The minimum charge for orders from Multiquip is \$15.00 net. Customers will be asked for instructions regarding handling of orders not meeting this requirement.

RETURNED GOODS POLICY

Return shipments will be accepted and credit will be allowed, subject to the following provisions:

1. A Returned Material Authorization must be approved by Multiquip prior to shipment.
2. To obtain a Return Material Authorization, a list must be provided to Multiquip Parts Sales that defines item numbers, quantities, and descriptions of the items to be returned.
 - a. The parts numbers and descriptions must match the current parts price list.
 - b. The list must be typed or computer generated.
 - c. The list must state the reason(s) for the return.
 - d. The list must reference the sales order(s) or invoice(s) under which the items were originally purchased.
 - e. The list must include the name and phone number of the person requesting the RMA.
3. A copy of the Return Material Authorization must accompany the return shipment.
4. Freight is at the sender's expense. All parts must be returned freight prepaid to Multiquip's designated receiving point.

5. Parts must be in new and resalable condition, in the original Multiquip package (if any), and with Multiquip part numbers clearly marked.
6. The following items are not returnable:
 - a. Obsolete parts. (If an item is in the price book and shows as being replaced by another item, it is obsolete.)
 - b. Any parts with a limited shelf life (such as gaskets, seals, "O" rings, and other rubber parts) that were purchased more than six months prior to the return date.
 - c. Any line item with an extended dealer net price of less than \$5.00.
 - d. Special order items.
 - e. Electrical components.
 - f. Paint, chemicals, and lubricants.
 - g. Decals and paper products.
 - h. Items purchased in kits.
7. The sender will be notified of any material received that is not acceptable.
8. Such material will be held for five working days from notification, pending instructions. If a reply is not received within five days, the material will be returned to the sender at his expense.
9. Credit on returned parts will be issued at dealer net price at time of the original purchase, less a 15% restocking charge.
10. In cases where an item is accepted, for which the original purchase document can not be determined, the price will be based on the list price that was effective twelve months prior to the RMA date.
11. Credit issued will be applied to future purchases only.

PRICING AND REBATES

Prices are subject to change without prior notice. Price changes are effective on a specific date and all orders received on or after that date will be billed at the revised price. Rebates for price declines and added charges for price increases will not be made for stock on hand at the time of any price change.

Multiquip reserves the right to quote and sell direct to Government agencies, and to Original Equipment Manufacturer accounts who use our products as integral parts of their own products.

SPECIAL EXPEDITING SERVICE

A \$35.00 surcharge will be added to the invoice for special handling including bus shipments, insured parcel post or in cases where Multiquip must personally deliver the parts to the carrier.

LIMITATIONS OF SELLER'S LIABILITY

Multiquip shall not be liable hereunder for damages in excess of the purchase price of the item with respect to which damages are claimed, and in no event shall Multiquip be liable for loss of profit or good will or for any other special, consequential or incidental damages.

LIMITATION OF WARRANTIES

No warranties, express or implied, are made in connection with the sale of parts or trade accessories nor as to any engine not manufactured by Multiquip. Such warranties made in connection with the sale of new, complete units are made exclusively by a statement of warranty packaged with such units, and Multiquip neither assumes nor authorizes any person to assume for it any other obligation or liability whatever in connection with the sale of its products. Apart from such written statement of warranty, there are no warranties, express, implied or statutory, which extend beyond the description of the products on the face hereof.

Effective: February 22, 2006

PARTS MANUAL

HERE'S HOW TO GET HELP

PLEASE HAVE THE MODEL AND SERIAL
NUMBER ON-HAND WHEN CALLING

UNITED STATES

Multiquip Corporate Office

18910 Wilmington Ave.
Carson, CA 90746
Contact: mq@multiquip.com

Tel. (800) 421-1244
Fax (310) 537-3927

Service Department

800-421-1244
310-537-3700

Fax: 310-537-4259

Technical Assistance

800-478-1244

Fax: 310-943-2238

MQ Parts Department

800-427-1244
310-537-3700

Fax: 800-672-7877
Fax: 310-637-3284

Warranty Department

800-421-1244
310-537-3700

Fax: 310-943-2249

CANADA

Multiquip

4110 Industriel Boul.
Laval, Quebec, Canada H7L 6V3
Contact: infocanda@multiquip.com

Tel: (450) 625-2244
Tel: (877) 963-4411
Fax: (450) 625-8664

UNITED KINGDOM

Multiquip (UK) Limited Head Office

Unit 2, Northpoint Industrial Estate,
Globe Lane,
Dukinfield, Cheshire SK16 4UJ
Contact: sales@multiquip.co.uk

Tel: 0161 339 2223
Fax: 0161 339 3226

© COPYRIGHT 2015, MULTIQUIP INC.

Multiquip Inc, the MQ logo and the Whiteman logo are registered trademarks of Multiquip Inc. and may not be used, reproduced, or altered without written permission. All other trademarks are the property of their respective owners and used with permission.

This manual MUST accompany the equipment at all times. This manual is considered a permanent part of the equipment and should remain with the unit if resold.

The information and specifications included in this publication were in effect at the time of approval for printing. Illustrations, descriptions, references and technical data contained in this manual are for guidance only and may not be considered as binding. Multiquip Inc. reserves the right to discontinue or change specifications, design or the information published in this publication at any time without notice and without incurring any obligations.

Your Local Dealer is:



P/N 21769